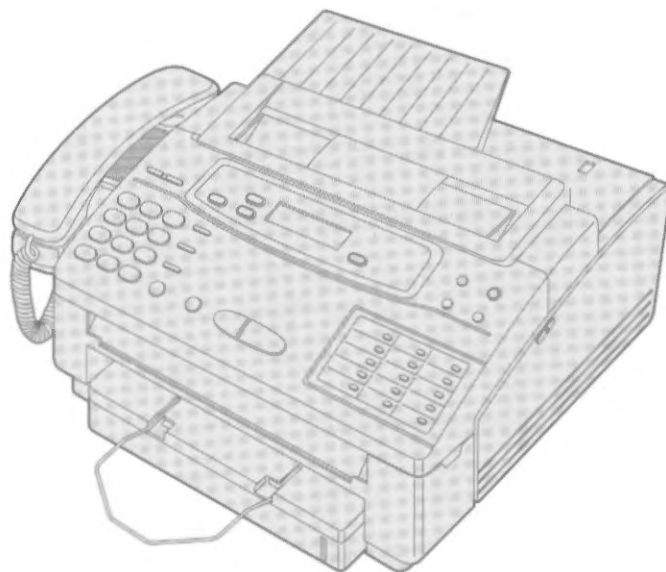


Panasonic

Multi Function Plain Paper FAX

Model No. **KX-F1150**

OPERATING INSTRUCTIONS



Please read these Operating Instructions before using the unit and save for future reference.

**FOR OPERATION ASSISTANCE,
CALL 1-800-HELP-FAX**

- This product is designed for use in the United States of America, and may not operate in other countries. (See page 81 for more details.)
- Este producto ha sido diseñado para su uso en los Estados Unidos de América, y puede no funcionar correctamente en otros países. (Consulte la página 81 para tener más detalles.)

Contents

Installation and Connection	p. 6
Initial Preparation	p. 14
Basic Operations	p. 20
Advanced Operations	p. 31
Troubleshooting and Routine Care	p. 65
General Information	p. 77

Thank you for purchasing the Panasonic Multi Function Plain Paper Facsimile

Things you should keep records of

Attach your sales receipt here

For your future reference

Date of purchase

Serial No

(found on the rear of the unit)

Dealer's name and address

Dealer's telephone number

Caution:

- The Telephone Protection Act of 1991 requires the following information to be clearly stated either at the top or bottom margin of the first message page when transmitting messages via telephone facsimile,
 - Date and time of transmission,
 - Identification of the business, entity or person(s) sending the facsimile and,
 - Telephone number of the business, entity or person(s)To program this information into your facsimile machine, complete all the instructions on pages 14 through 16
- Note that the images of copied or received documents will remain on the used film. When disposing of the used film, use discretion
- Do not rub the printed side or use an eraser on the printed side, as it may smear
- When using the Panasonic Multi Function Center, use a RS232C cable that is five feet or shorter for reliable data communications and compliance with FCC rules

Trademarks

Hammermill® is a registered trademark of INTERNATIONAL PAPER in the United States and/or other countries

Copyright:

This manual is copyrighted by Kyushu Matsushita Electric Co., Ltd. (KME) and its licensee. Under the copyright laws, this manual may not be reproduced in any form, in whole or part, without the prior written consent of KME and its licensee.

© 1996 Kyushu Matsushita Electric Co., Ltd. All Rights Reserved

Using attached user guides

The unit performs the following functions, plain paper facsimile, copier, scanner, answering system, PC fax, telephone and printer. To use this unit efficiently, we recommend you read the instructions below in the following order:

Quick start guide

This guide summarizes installation and basic operations. To connect the KX-F1150 to your computer, see the PC Connections and Installation for Multi Function Center section.

Operating Instructions

This manual describes installation, initial preparation, how to use a facsimile, answering system, copy and telephone, troubleshooting, routine care and general information.

Important safety instructions

When using this product, basic safety precautions should always be followed to reduce the risk of fire, electric shock, and injury to persons, including the following

- 1 Read and understand all instructions
- 2 Follow all warnings and instructions marked on this product
- 3 Unplug this product from wall outlets before cleaning. Do not use liquid or aerosol cleaners. Use a damp cloth for cleaning.
- 4 Do not use this product near water, for example, near a bath tub, wash bowl, kitchen sink, or laundry tub, in a wet basement, or near a swimming pool.
- 5 Do not place this product on an unstable cart, stand or table. The product may fall, causing serious damage to the product or personal injury.
- 6 Slots and openings in the cabinet and the back or bottom are provided for ventilation, to protect it from overheating. These openings must not be blocked or covered. The openings should never be blocked by placing the product on the bed, sofa rug, or other similar surface. This product should never be placed near or over a radiator or heat register. This product should not be placed in a built-in installation unless proper ventilation is provided.
- 7 This product should be operated only from the type of power source indicated on the marking label. If you are not sure of the type of power supply to your home, consult your dealer or local power company.
- 8 This product is equipped with a three wire grounding type plug, a plug having a third (grounding) pin. This plug will only fit into a grounding type power outlet. This is a safety feature. If you are unable to insert the plug into the outlet, contact your electrician to replace your obsolete outlet. Do not defeat the safety purpose of the grounding type plug.
- 9 Do not allow anything to rest on the power cord. Do not locate this product where the cord could be damaged by people walking on it.
- 10 Do not overload wall outlets and extension cords as this can result in the risk of fire or electric shock.
- 11 Never push objects of any kind into this product through cabinet slots as they may touch dangerous voltage points or short out parts that could result in a risk of fire or electric shock. Never spill liquid of any kind on the product.
- 12 To reduce the risk of electric shock, do not disassemble this product, but take it to an authorized servicer when some service or repair work is required. Opening or removing covers may expose you to dangerous voltages or other risks. Incorrect reassembly can cause electric shock when the appliance is subsequently used.
- 13 Unplug this product from the wall outlet and refer servicing to an authorized servicer under the following conditions:
 - A When the power supply cord or plug is damaged or frayed
 - B If liquid has been spilled into the product
 - C If the product has been exposed to rain or water
 - D If the product does not work normally by following the operating instructions. Adjust only those controls, that are covered by the operating instructions because improper adjustment of other controls may result in damage and will often require extensive work by an authorized technician to restore the product to normal operation
 - E If the product has been dropped or the cabinet has been damaged
 - F If the product exhibits a distinct change in performance
- 14 Avoid using a telephone (other than a cordless type) during an electrical storm. There may be a remote risk of electric shock from lightning.
- 15 Do not use the telephone to report a gas leak in the vicinity of the leak.

SAVE THESE INSTRUCTIONS

INSTALLATION:

- 1 Never install telephone wiring during a lightning storm.
- 2 Never install telephone jacks in wet locations unless the jack is specifically designed for wet locations.
- 3 Never touch uninsulated telephone wires or terminals unless the telephone line has been disconnected at the network interface.
- 4 Use caution when installing or modifying telephone lines.

WARNING:

To prevent the risk of fire or electrical shock, do not expose this product to rain or any type of moisture.

OTHER INFORMATION

- Keep the unit away from electrical noise-generating devices, such as fluorescent lamps and motors.
- The unit should be kept free from dust, moisture, high temperature, and vibration.
- The unit should not be exposed to direct sunlight.
- Do not place heavy objects on top of this unit.
- Do not damage the power cord.
- Do not touch the plug with wet hands.
- Do not use benzine, thinner, or any abrasive powder, to clean the cabinet. Wipe it with a soft cloth.

Table of Contents

Installation and Connection

Included accessories	6
Location of controls	7
Installing your unit	9
Connections	13

Initial Preparation

Setting the date, time, logo and facsimile telephone number	14
Adjusting volumes	16
Recording a common greeting message	17
Selecting the receive mode	18

Basic Operations

Making voice calls	20
Answering voice calls	20
Transmitting documents	21
Receiving documents	23
Operating the answering device	27
Making a copy	30

Advanced Operations

Automatic dialing

Storing phone numbers for automatic dialing	31
Making voice calls using automatic dialing	32
Transmitting documents using automatic dialing	32
Electronic telephone directory	33

Telephone

Voice contact (talking to the caller during or after fax reception or transmission)	34
TONE, FLASH and REDIAL/PAUSE buttons	35

Special sending features

Polling (retrieving fax documents)	36
Delayed transmission (sending a fax at a later time)	37
Sending documents overseas	38
Reserving transmission during fax reception	38
Printing a cover page	39
Changing the logo print position	39

Special receiving features

Remote fax receiving (using an extension phone to receive a fax message) 40
 Junk mail prohibitor (preventing the reception of unwanted fax documents) 41
 Receiving with distinctive ring service 42
 Signaling your pager that you have received a fax document 43
 Receiving documents in memory 44
 Receiving oversized documents 46
 Film/paper save reception 47

Enhanced copy features

Making an enlarged copy 48
 Making a reduced copy 49

Answering system

Voice mailbox (how callers can leave you private messages) 50
 Signaling your pager that a voice message has been recorded 54
 Remote operation from a touch tone phone 55

Others

Changing the display contrast 60
 Resetting the advanced features 60
 Summary of user programmable features 61
 Printing reports and lists 62




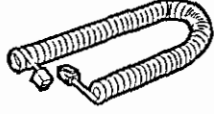


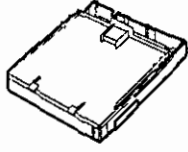

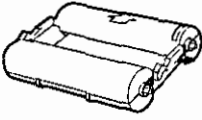
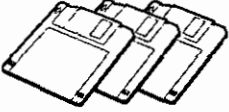
Troubleshooting and Routine Care

Error messages on the display 65
 Before requesting help 66
 Error codes on your PC when using Multi Function Center software 68
 If a power failure occurs... 70
 If a problem occurs during reception 70
 Clearing a recording paper jam 71
 Clearing a document jam 73
 Adjusting the feeder pressure 73
 Cleaning the inside of the unit 74
 Replacing the film or film cartridge 75

General Information

FCC information 77
 Limited warranty 78
 Service center directory 79
 Information for users 80
 Accessory order information 80
 Specifications 81
 Speed dialer list 83
 Index 85

Included accessories

<p>Power cord 1 pc Part No PQJA200Z</p>  <p>(p 13)</p>	<p>Telephone line cord 1 pc Part No PQJA59V</p>  <p>(p 13)</p>	<p>Handset 1 pc Part No PQJXD0105Z</p>  <p>(p 13)</p>	<p>Handset cord 1 pc Part No PQJA212M</p>  <p>(p 13)</p>
<p>Document feeder tray 1 pc Part No PQKS10011Y2</p>  <p>(p 12)</p>	<p>Document stacker 1 pc Part No PQZSF1000M</p>  <p>(p 12)</p>	<p>Paper cassette 1 pc Part No PFZE2F1050M (Cover) PFZEF1050M (Tray)</p>  <p>(p 9) —The paper cassette is pre-installed</p>	<p>Paper stacker 1 pc Part No PFUS1031Z</p>  <p>(p 10)</p>
<p>Film cartridge 1 pc</p>  <p>(p 75, 80) —The included film is 30 meters —The film cartridge is pre-installed</p>	<p>Panasonic Multi Function Center Software (Floppy disks) 3 pcs Part No PFZXF1050M</p>  <p>(See Quick Start Guide)</p>		

- If any items are missing or damaged, check with the place of purchase
- The part numbers listed above are subject to change without notice
- Save the original carton and packing materials for future shipping and transporting of the unit
- To order, call toll free 1-800-332-5368

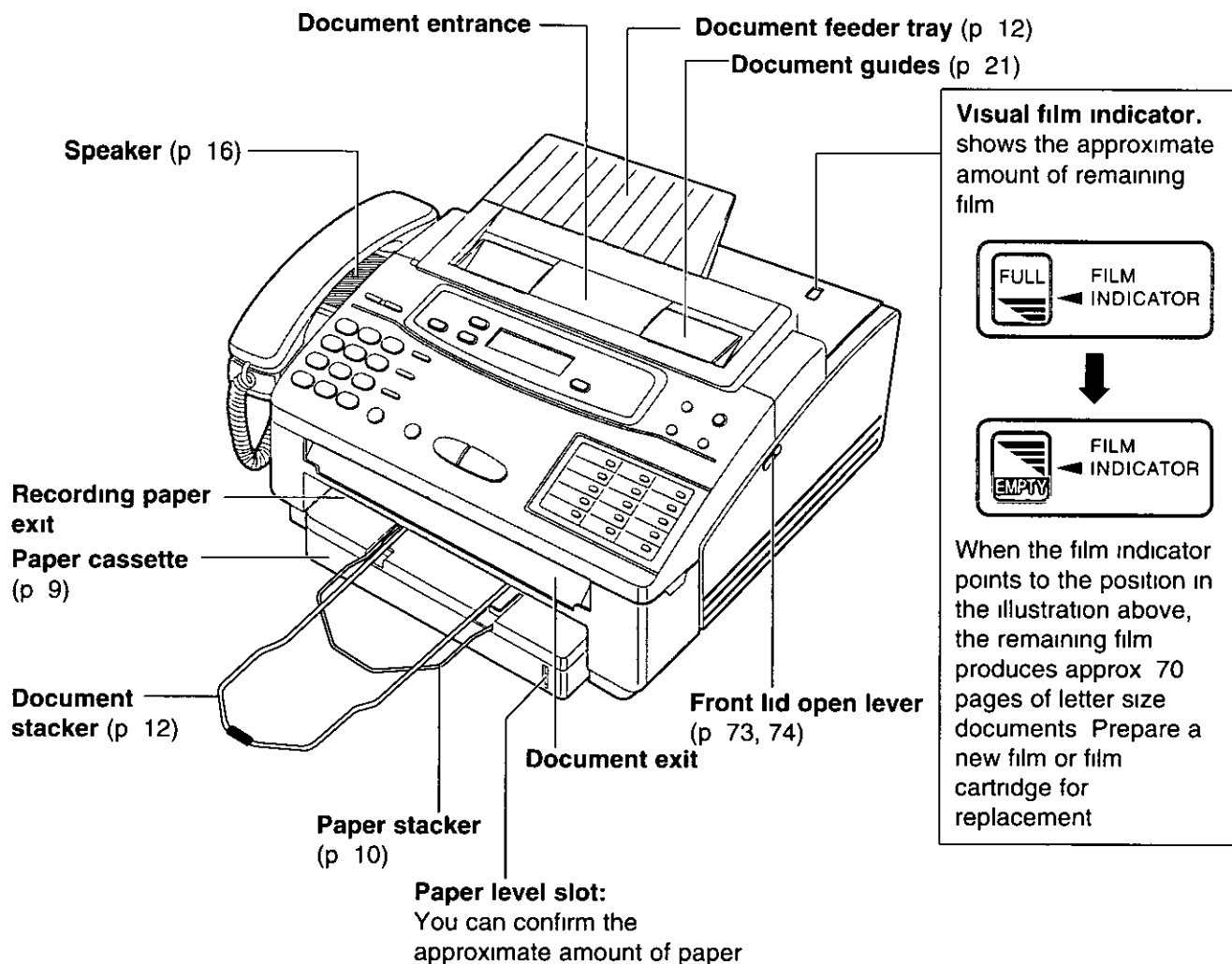
To use this unit with your PC

Prepare a RS232C cable (DB9 Female/DB25 Male)

RS232C (DB9 Female/DB25 Male) serial cables can usually be purchased at any computer store or computer supply store. If you need help finding the correct cable, call 1-800-HELP-FAX

Location of controls

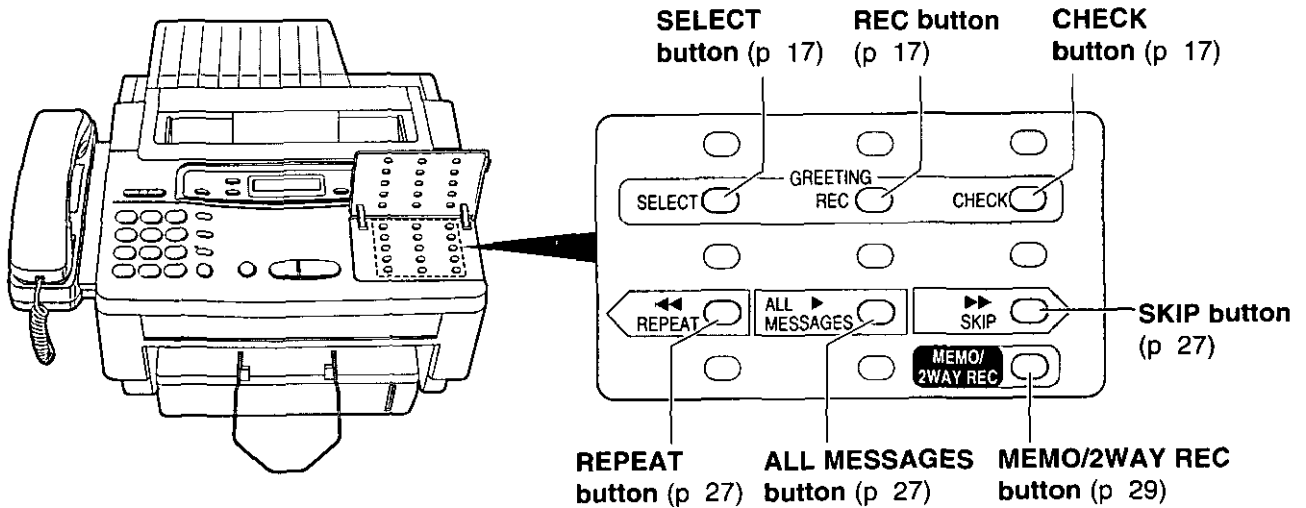
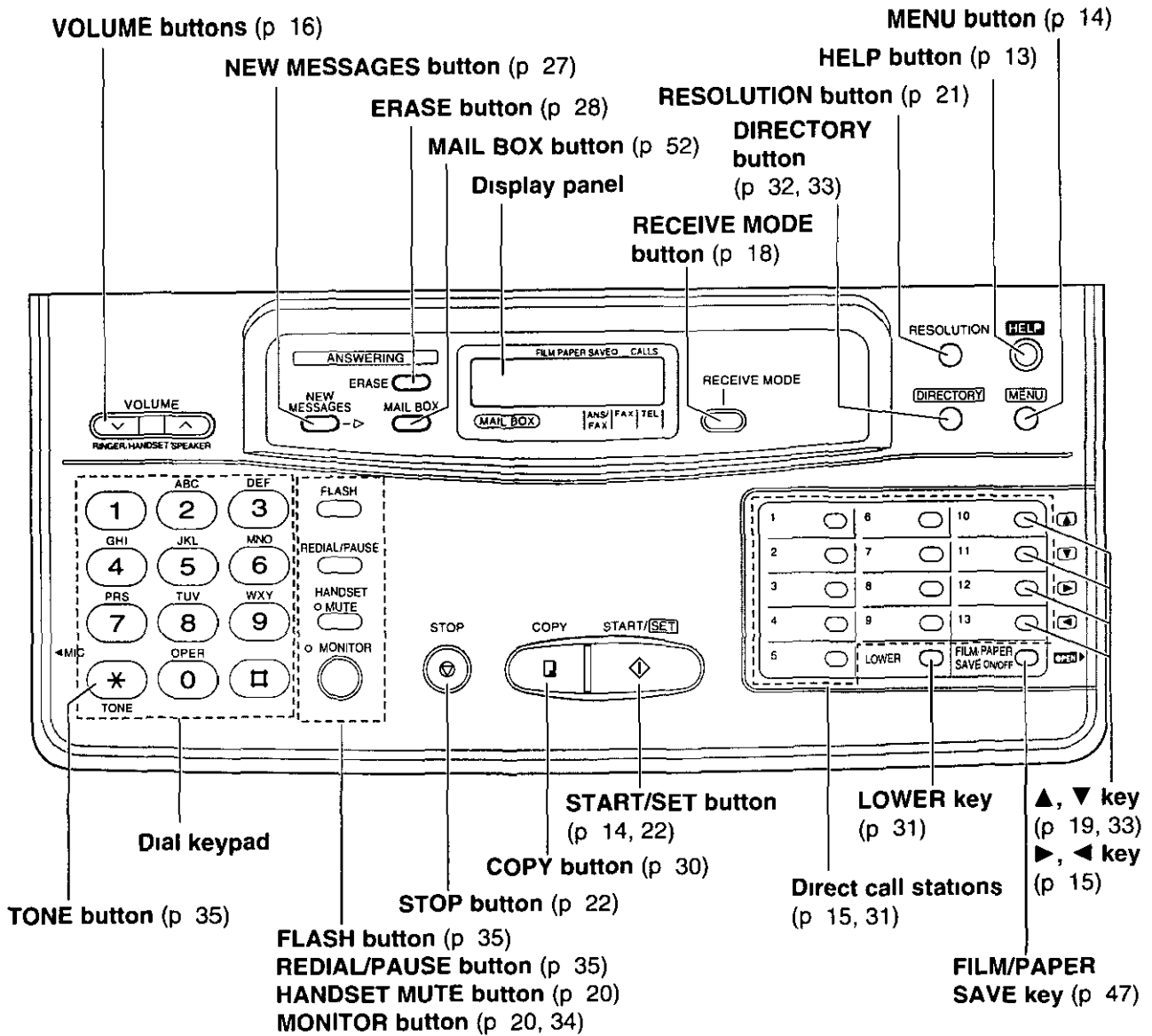
Front view



Note:

- The visual film indicator will show "FULL" when a new 200 meter (656') film is installed. When the supplied film cartridge, 30 meter roll film (100'), is installed, the indicator will not show "FULL"
- Because the length of the supplied film is 30 meters, it is recommended to purchase an additional 200 meter length film for replacement soon. See page 80

Control panel

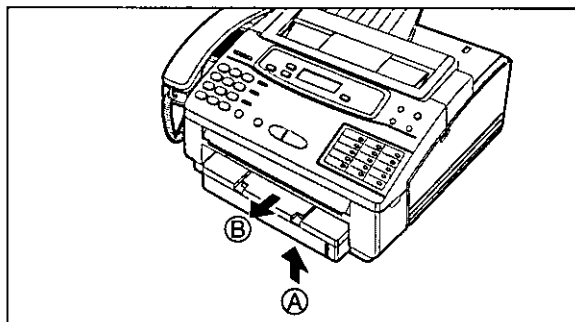


Installing your unit

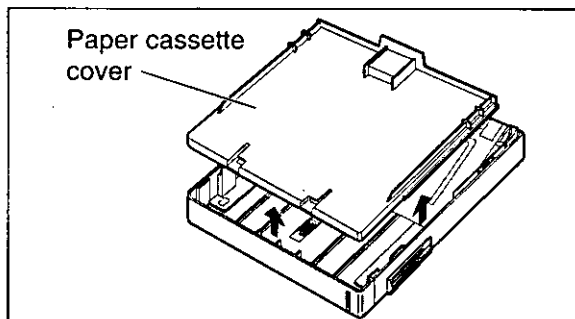
Installing the paper cassette

You can use letter size or legal size paper. The paper cassette can hold up to 250 sheets of 75 g/m² (20 lb.) paper. Use 60 to 90 g/m² (16 to 24 lb.) paper.

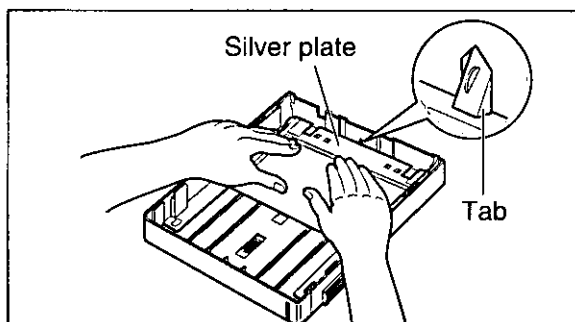
- 1 Remove the paper cassette by (A) slightly lifting and (B) pulling it out of the unit.



- 2 Remove the paper cassette cover.



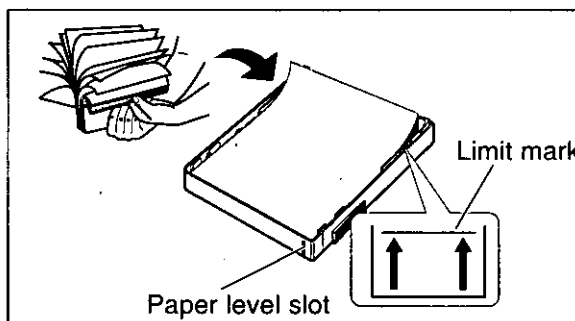
- 3 Press down on the silver plate until it is locked under the tab.



- 4 Fan the stack of paper to avoid a paper jam.

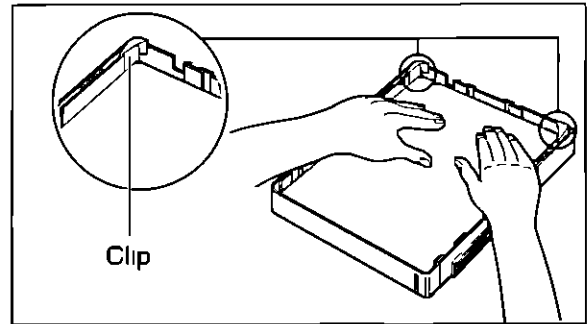
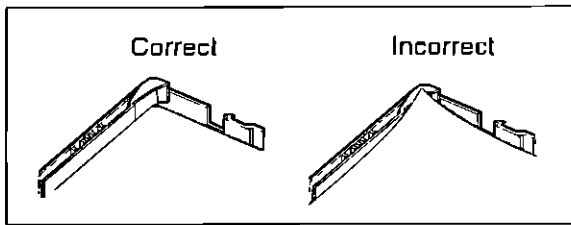
- 5 Insert the paper by aligning the paper edges with the paper level slot on the paper cassette.

- Most paper has instructions recommending which side to print on. Insert the paper with the print side facing down.
- The height of the paper should not exceed the limit mark on the paper cassette or it may cause a paper jam.
- When using legal size paper, see page 11.



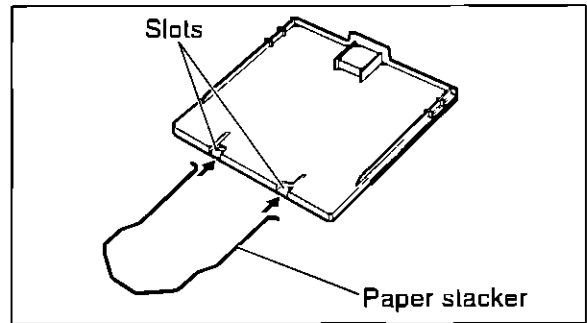
(continued)

- 6** Push down the opposite edges so they are secured under the clips

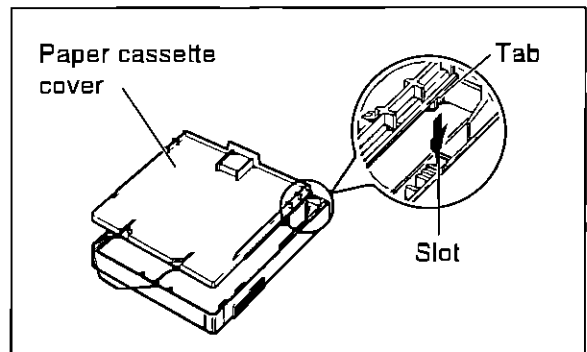


- 7** Insert the paper stacker with the bent side facing up into the slots on the paper cassette cover

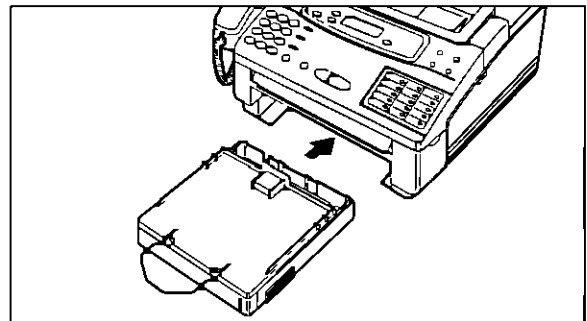
—Check that the stacker ends are inserted properly



- 8** Close the paper cassette cover by inserting both tabs on the cover into the appropriate side slots



- 9** Insert the paper cassette into the unit until it clicks into place



Caution.

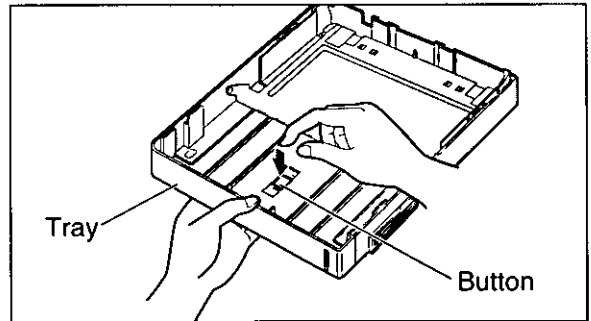
- Every time the paper cassette is removed from the unit, the silver plate on the paper cassette must be pressed down and locked under the tab. If you insert the paper cassette without locking the silver plate, it may cause a paper jam

Note:

- Do not use different types or thicknesses of paper in the cassette at same time. This may cause a paper jam
- Avoid extremely smooth or shiny paper that is highly textured. Also avoid paper that is coated, damaged or wrinkled paper with a cotton and/or fiber content that is over 20 %
- Avoid used paper for double-sided printing
- Do not use paper printed with this unit for double-sided printing with other copiers or printers, or a paper jam may occur
- We recommend to use Hammermill® jet PRINT for clearer printing

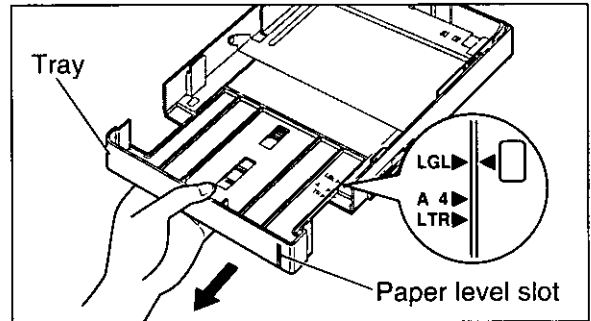
Using legal size paper

1 Press the button on the paper cassette to release the tray

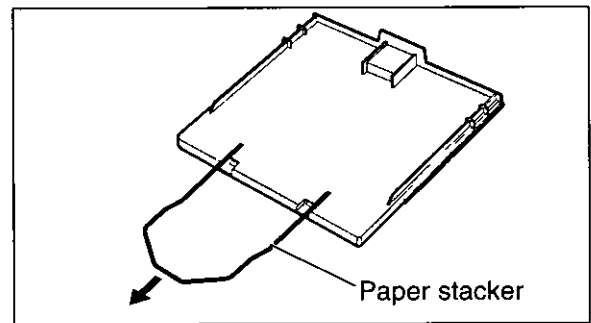


2 Slide the tray so that "LGL▶" on the tray aligns with "◀" on the cassette and lock into place

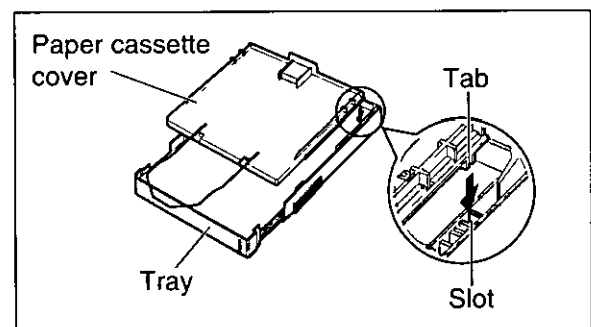
3 Insert the paper by aligning the paper edges with the paper level slot side on the paper cassette



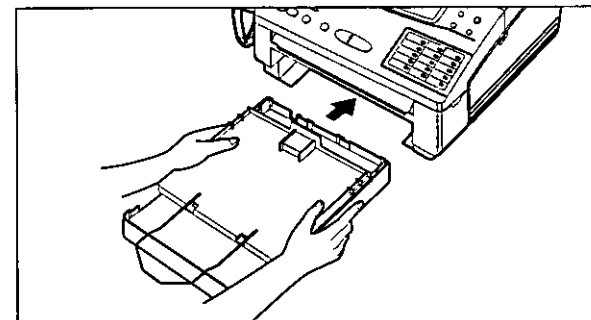
4 Extend the paper stacker until it clicks into place



5 Close the paper cassette cover by inserting both tabs on the cover into the appropriate side slots
—The paper cassette cover does not cover the entire tray



6 Insert the paper cassette into the unit using both hands until it clicks into place

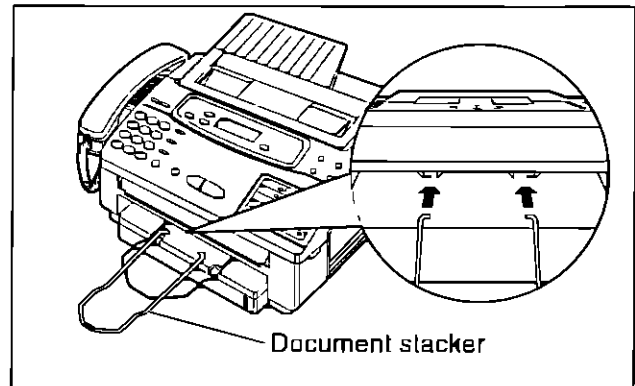


Installing the document stacker

Insert the document stacker with the bent side facing up into the slots on the main cabinet

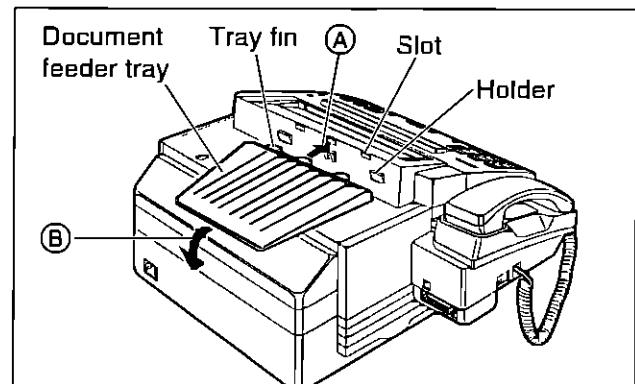
Helpful hint:

- To extend the document stacker, pull it out of the unit until it clicks into place
- To save space, slide the document stacker into the unit until it clicks into place

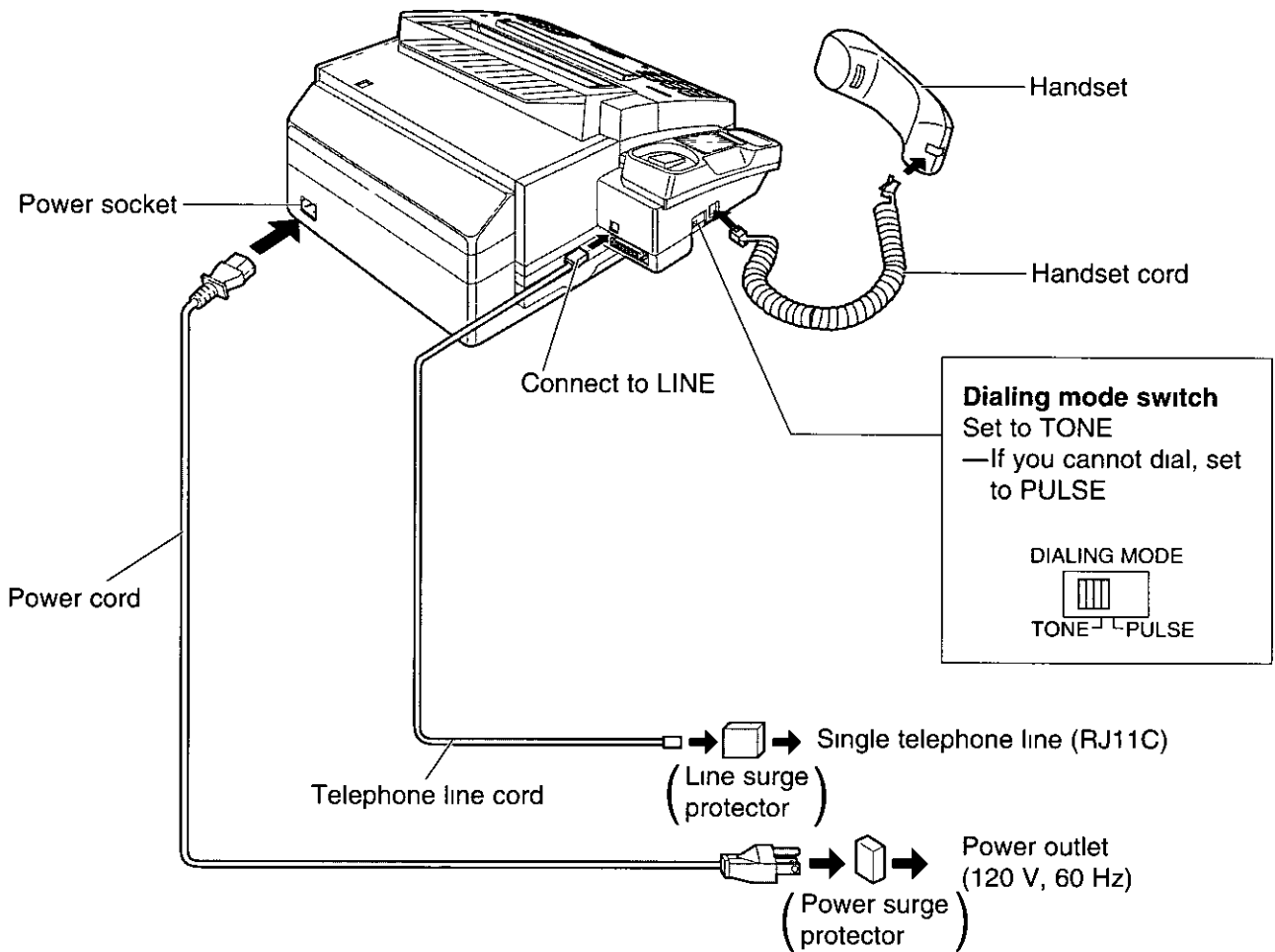


Installing the document feeder tray

- 1** Insert the three tray fins into the slots on the back of the unit (A)
- 2** Press the tray down to place it on the two holders (B)



Connections

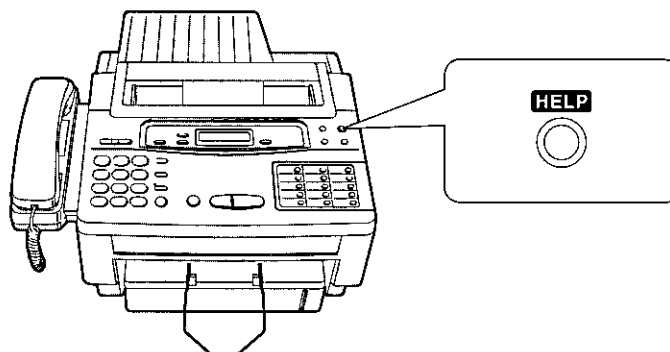


Note.

- For additional equipment protection, we recommend the use of a surge protector. The following types are available, TELESPIKE BLOK MODEL TSB (TRIPPE MFG CO), SPIKE BLOK MODEL SK6-0 (TRIPPE MFG CO), SUPER MAX (PANAMAX) or MP1 (ITW LINX)
- When you operate this product, the power outlet should be near the product and easily accessible
- The unit will not function during a power failure
- To connect a RS232C cable (DB9 Female/DB25 Male), see the quick start guide

Helpful hint

- If assistance is needed, press **HELP**. The unit will print a quick reference

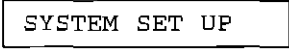
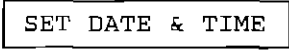


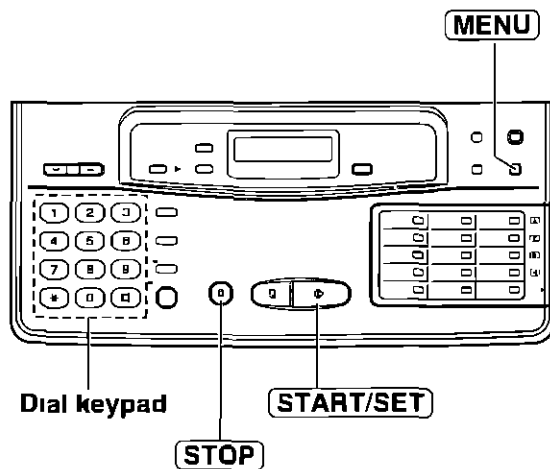
Setting the date, time, logo and facsimile telephone number

Before using your unit, program the correct date and time, your logo and your facsimile telephone number

This information will be printed on the top of each page transmitted from your unit

Setting the date and time

- 1 Press **MENU**

- 2 Press **#**, then **0 1**

- 3 Press **START/SET**
- 4 Enter the correct month/day/year/hour/minute by selecting each 2 digits
Then press ***** for AM or **#** for PM
Example: Aug 10 1996, 3.00PM
Press **0 8 1 0 9 6 0 3 0 0**, then press **#** for PM
- 5 Press **START/SET**
- 6 Press **MENU**

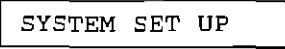




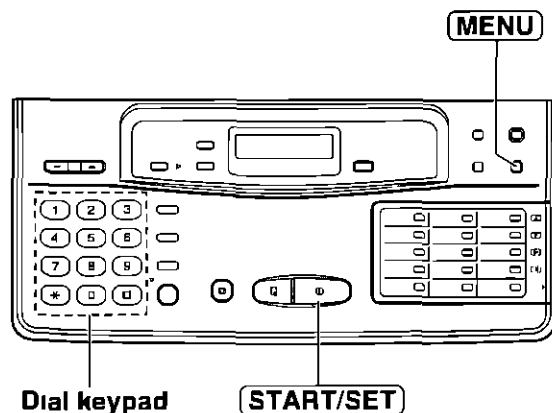
Note

- When you make a mistake while programming, press **STOP** then make corrections
- The accuracy of the clock will be approximately ± 60 seconds a month

Setting your logo

Usually the logo is a company, division or personal name in an abbreviated form

- 1 Press **MENU**

- 2 Press **#**, then **0 2**

- 3 Press **START/SET**

- 4 Enter your logo up to 30 characters
(The preset logo will be cleared)
■ Refer to the instructions on page 15
- 5 Press **START/SET**
- 6 Press **MENU**



How to enter characters and symbols

The dial keypad and direct call stations can be used as character input keys and command keys
Pressing 0-9 and **direct call station 1** will alternately select a character as shown below

Keys	Number of times												
	1	2	3	4	5	6	7	8	9	10	11	12	13
1	1	[]	{	}	+	-	/	=	,		_	'
2	A	B	C	a	b	c	2						
3	D	E	F	d	e	f	3						
4	G	H	I	g	h	i	4						
5	J	K	L	j	k	l	5						
6	M	N	O	m	n	o	6						
7	P	Q	R	S	p	q	r	s	7				
8	T	U	V	t	u	v	8						
9	W	X	Y	Z	w	x	y	z	9				
0	0	()	<	>	!	"	#	\$	%	&	¥	
1		,	?		*	@	^	'	→				
2	INSERT key (Used to insert one character or one space)												
6	SPACE key (Used to enter a blank space)												
7	DELETE key (Used to delete one character)												
12	▶ key (Used to move the cursor to the right)												
13	◀ key (Used to move the cursor to the left)												

For example, when entering "Mike" as your logo

1 Press **6**

LOGO=M

3 Press **5** five times

LOGO=Mik

2 Press **4** six times

LOGO=Mi

4 Press **3** five times

LOGO=Mik

Note.

- If you use the same number key continuously to enter the next character, press direct call station **12** to move the cursor

To correct a mistake while programming

Use direct call stations **12** and **13** to move the cursor to the incorrect character, then make the correction

OR

Press **STOP** to delete the character to the left of the cursor

To see the layout of the direct call station keys

Remove the directory card cover with a pencil or similar object and turn the directory card over

Initial Preparation

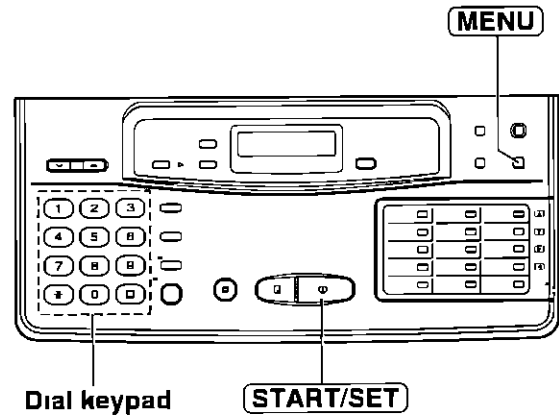
Setting your facsimile telephone number

- 1 Press **MENU**

SYSTEM SET UP
- 2 Press **#**, then **0 3**

YOUR TEL NO
- 3 Press **START/SET**

NO =
- 4 Enter your facsimile telephone number up to 20 digits
 - The **#** button inserts a space and the ***** button a "+"
 - If you make a mistake, return to step 1 and try again
- 5 Press **START/SET**
- 6 Press **MENU**



Adjusting volumes

■ Ringer volume

- Press **VOLUME** (v/∧) while the unit is idle
- 3 levels (high/low/off) are available

To turn the ringer off

- 1 Press **VOLUME** (v) repeatedly
 - The following messages will be shown alternately



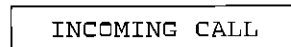
- 2 Press **START/SET**

While the ringer volume is set to off.

The display will show the following message in idle status



When receiving a call, the unit will not ring but show the following message



■ Handset volume.

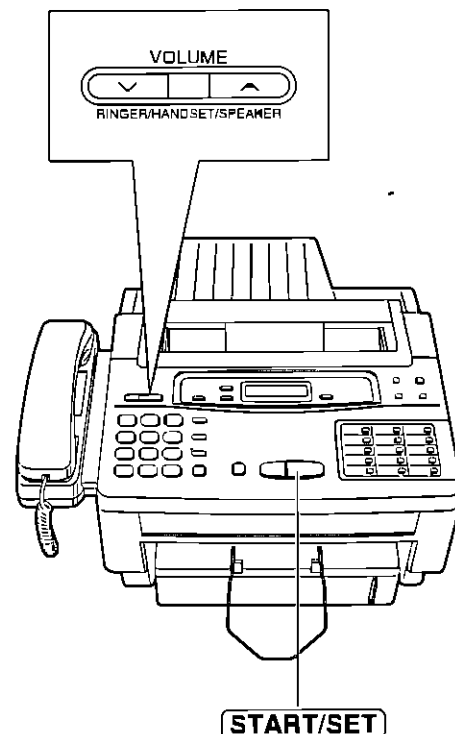
- Press **VOLUME** (v/∧) while using the handset
- 3 levels (high/middle/low) are available

■ Monitor volume.

- Press **VOLUME** (v/∧) while using the monitor
- 8 levels (high to low) are available

■ Answering device volume

- Press **VOLUME** (v/∧) while listening to the recorded messages
- 9 levels (high to off) are available



Recording a common greeting message

Record a common greeting message before using the unit as an answering device and facsimile.

The greeting message tells a caller that you are unable to answer, and allows them to leave a voice message or send a fax message.

The recording time is limited to 16 seconds. Record the greeting message **within 12 seconds** for optimum performance.

1 Open the station key panel.

2 Press **SELECT**.

ANS-GREETING

3 Press **REC**.

- A long beep will sound.

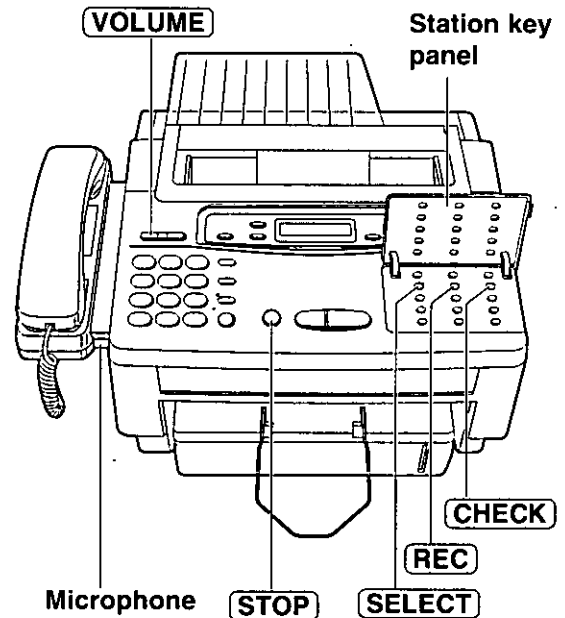
4 After the long beep, speak clearly 20 cm (8 inches) away from microphone.

- The display will show the elapsed recording time.

ANS REC. 02s

5 When finished, press **STOP**.

- The unit will repeat your message for confirmation.
- Adjust the volume to a suitable level by pressing **VOLUME**.



Note:

- If you make a mistake while recording, repeat from step 2.

Suggested message

"This is (your name, business and/or telephone number). We are unable to answer right now. To send a fax, start transmission. To leave a message, speak (or 'speak up to 1 minute') after the long beep. Thank you."

To check your greeting message

1. Press **SELECT**.

ANS-GREETING

2. Press **CHECK**.

To erase the recorded greeting message

1. Press **SELECT**.

ANS-GREETING

2. Press **REC**.

3. Press **STOP** immediately after the long beep.

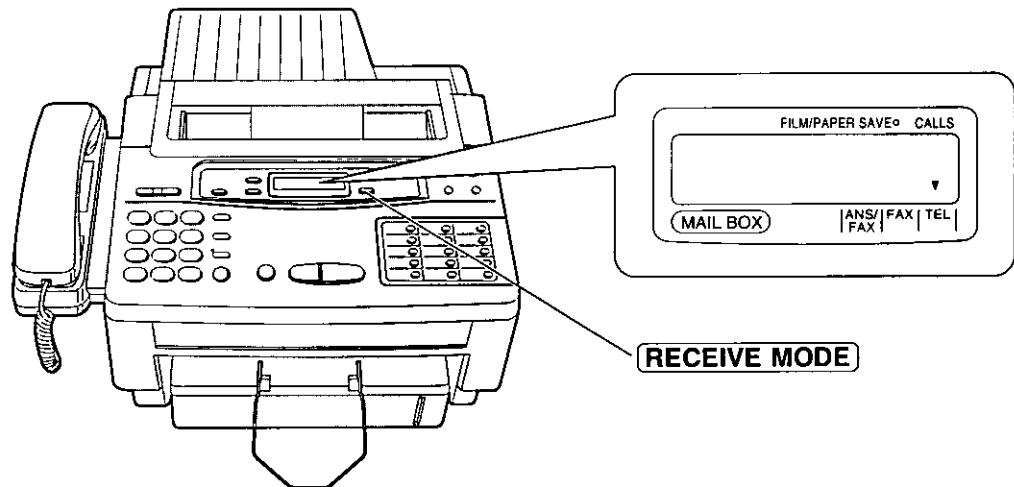
Selecting the receive mode

Receiving with the KX-F1150

The unit combines the functions of facsimile, answering system and telephone. To perform these functions, this unit has three types of receive modes, ANS/FAX, FAX and TEL.

Select the desired mode by pressing **RECEIVE MODE** repeatedly.

- The arrow indicator in the display shows your selection.



Regardless of the mode that you select, you can always place calls and send faxes. The descriptions below will help you understand how the unit can work for you.

ANS/FAX mode:

Select this mode when you wish the unit to record voice messages and/or receive fax messages. When a call is received, the unit will play the common greeting message. If a voice call is detected, the answering system will begin recording, then the caller can leave a voice message. If a fax call is detected, the unit will switch to the fax and receive fax documents. For further details, see pages 25 and 26.

FAX mode

Select this mode when you use the unit solely as a fax machine.

The unit will automatically answer all calls and generate fax tones to the callers. Callers will hear fax tones and will only be able to transmit faxes. For further details, see page 24.

TEL mode.

Select this mode when you wish to answer all calls manually. The unit will not automatically answer fax and voice calls. To answer a fax call during a telephone conversation, you can start reception by pressing the START/SET button.

- You can change to the ANS/FAX mode from a remote location. Call your unit from a touch tone phone and wait for 15 rings. The answering system will temporarily answer the line. Then enter the remote operation ID (p. 56) during the greeting message. The unit will switch to the ANS/FAX mode.

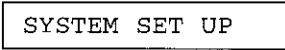

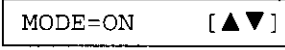


Receiving with your PC

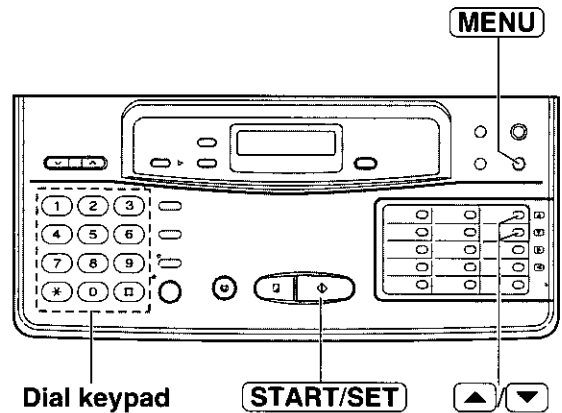
This feature allows you to operate any kind of reception on the PC

When the documents are received in the PC, you can confirm the received fax data on the screen. If necessary, you can print out the data.

The pre-selected setting is ON.

To change the setting, proceed as follows:

- 1 Press **MENU**

- 2 Press **#**, then **1** **4**

- 3 Press **START/SET**

- 4 Press  or  to select the desired mode
- 5 Press **START/SET**
- 6 Press **MENU**

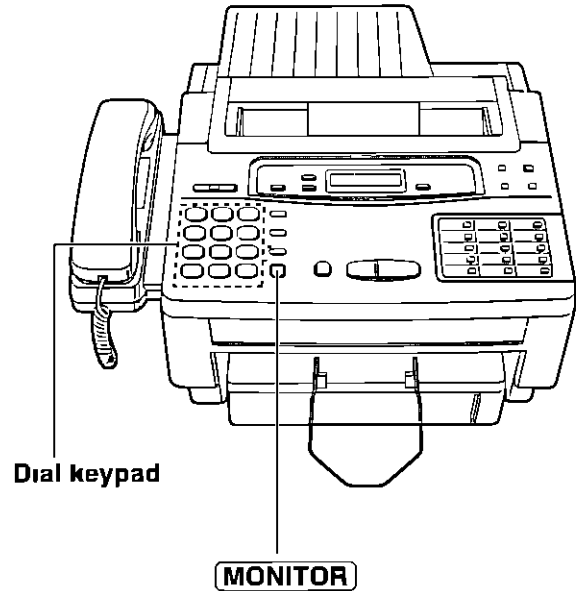


Note:

- For connecting the KX-F1150 to your PC and the operation of the received fax data on your PC, see the Quick Start Guide.

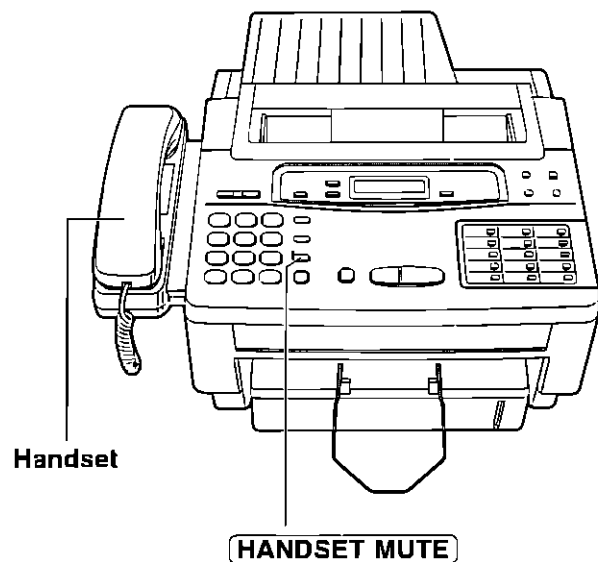
Making voice calls

- 1 Press **MONITOR** or lift the handset
- 2 Dial a phone number
 - If you misdial, hang up and dial again
- 3 If using **MONITOR**, when the other party answers your call, lift the handset and speak into it
- 4 When finished, hang up the handset



Answering voice calls

- 1 When the unit rings, lift the handset
- 2 When finished, hang up the handset



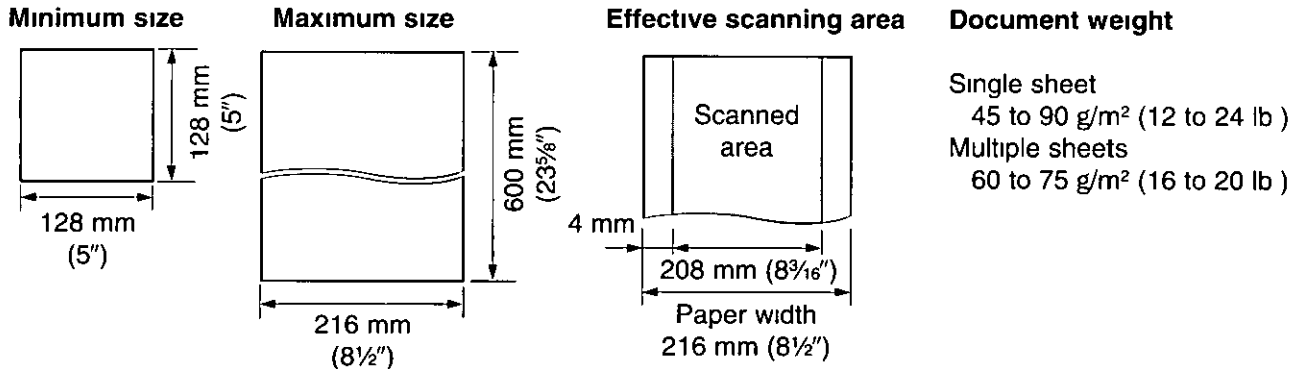
Voice muting

Using this feature, the other party cannot hear you but you can hear them

- 1 Press **HANDSET MUTE** during a telephone conversation
 - The **HANDSET MUTE** indicator light goes on
- 2 To resume the conversation, press **HANDSET MUTE** again

Transmitting documents

Documents you can send

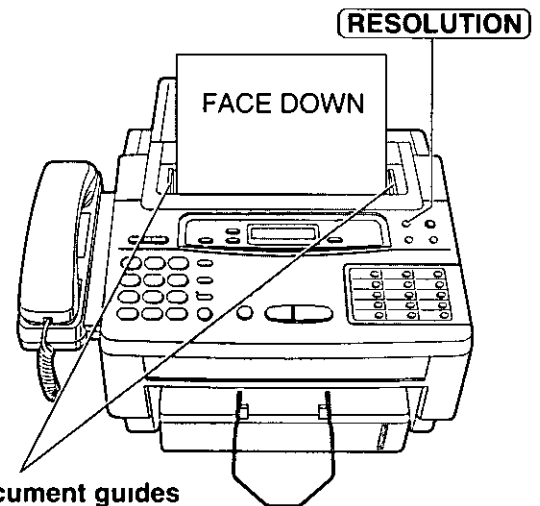


Note:

- Remove clips, staples or other similar fastening objects
- Check that ink, paste or correction fluid has dried
- Do not send the following types of documents. Use copies for fax transmission
 - Chemically treated paper such as carbon or carbonless duplicating paper
 - Electrostatically charged paper
 - Heavily curled, creased or torn paper
 - Paper with a coated surface
 - Paper with a faint image
 - Paper with printing on the opposite side that can be seen through the front (e.g. newspaper)

Loading documents

- 1 Insert the documents **FACE DOWN** until a beep tone is heard
 - The unit can accept up to 15 sheets of paper at a time
- 2 Adjust the document guides to the width of the documents
- 3 Press **RESOLUTION** repeatedly to the desired setting
 - The selected resolution will be shown on the display
 - STANDARD:** For printed or typewritten originals with normal-sized characters
 - FINE** For originals with small printing
 - SUPER FINE** For originals with minute printing
 - HALF TONE:** For originals containing photographs, shaded drawings, etc



Document guides

The resolution of the KX-F1150 applies to your PC as follows

KX-F1150	Your PC
STANDARD	Text
FINE	
SUPER FINE	Line art
HALF TONE	Photograph

Note

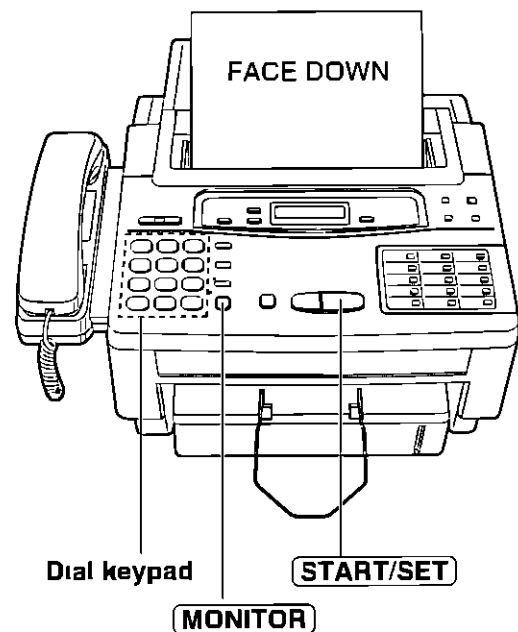
- Using the FINE, SUPER FINE or HALF TONE setting will increase transmission time
- If the resolution setting is changed during feeding, it will be effective from the next sheet
- The SUPER FINE resolution only works with other compatible machines

Transmitting documents manually

- 1 Insert the documents **FACE DOWN** until a beep tone is heard
- 2 Press **MONITOR** or lift the handset
- 3 Dial a phone number
 - If you misdial, hang up and dial again
- 4 When a fax tone is heard, press **START/SET**
- 5 Hang up the handset if using it

Note.

- If the other party answers your call, ask them to start to receive a fax, then press your **START/SET** button
- The unit will automatically end the transmission after the last sheet is transmitted

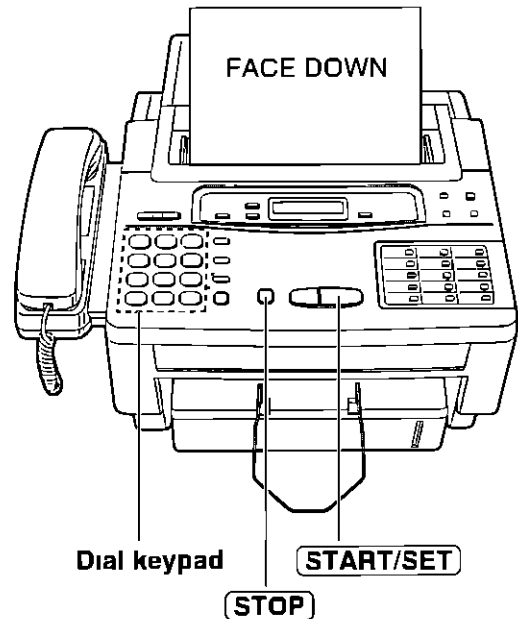


Transmitting documents with fewer procedures

- 1 Insert the documents **FACE DOWN** until a beep tone is heard
- 2 Dial a phone number
 - If you misdial, press **STOP** and dial again
- 3 Press **START/SET**
 - The unit will start to dial and transmit the documents

Fax auto redial

If there is no answer or the line is busy, the unit will automatically redial the number up to 5 times. This feature is available when you transmit documents with fewer procedures, such as automatic dialing (p 32), delayed transmission (p 37) and receive polling (p 36). To cancel redialing, press **STOP**.



To send 16 or more sheets at a time

Insert the first 15 sheets of the document. Add the extra sheets (up to 15) before the last sheet is fed into the unit.

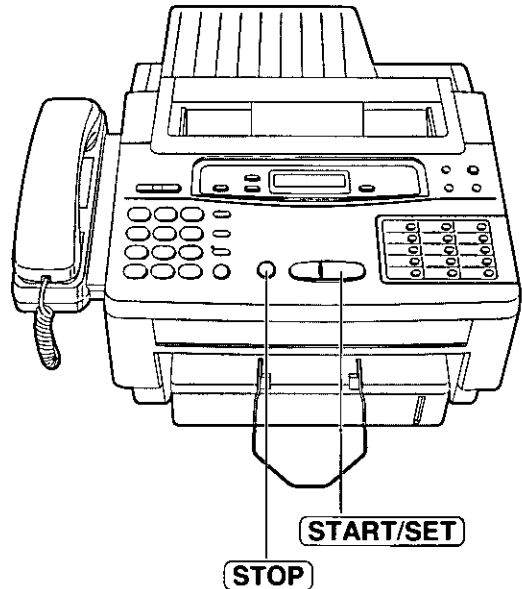
To stop transmission

Press **STOP**

Receiving documents

Manual reception

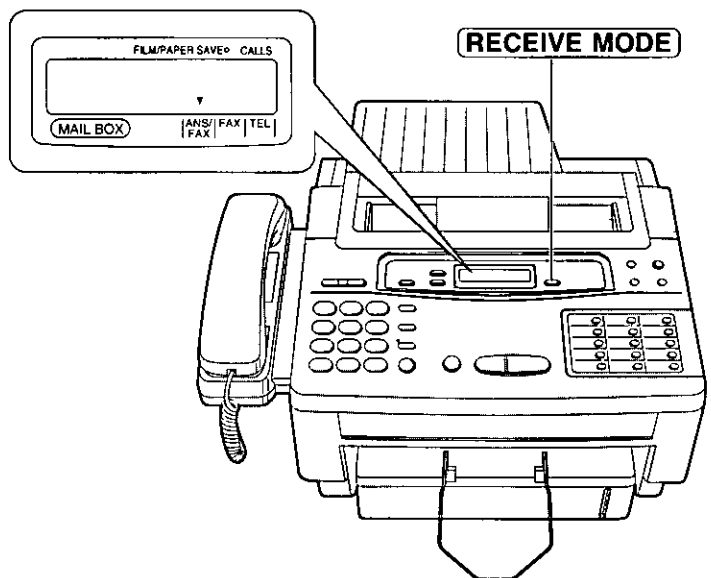
- 1 When the unit rings, lift the handset to answer the call
- 2 When
 - document reception is required,
 - a slow beep is heard, or
 - no sound is heard,press **START/SET**
- 3 Replace the handset if using it
 - The unit will start reception



Automatic reception

Set the unit to the ANS/FAX or FAX mode by pressing **RECEIVE MODE**

- When a fax call comes in, the unit will automatically activate the fax function to receive documents



To stop reception

Press **STOP**

Receiving an over-sized document

- When receiving an over-sized document, the unit will divide it into two or more pages when printing out
- If an appropriate reduction rate (page 46) is set, the unit can print an over-sized document on one page

Receiving fax documents only (FAX mode)

When the receive mode is set to FAX, the unit will work only as a facsimile machine
The unit will automatically answer all calls and generate fax tones to the callers
Callers will hear fax tones and will only be able to transmit faxes

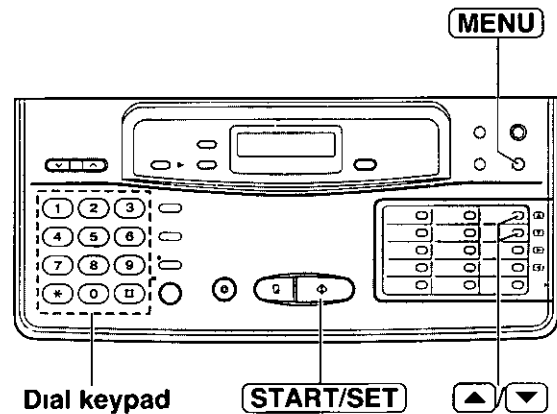
Setting the FAX mode ring count

This feature determines the number of rings after which the unit answers a call in the FAX mode
You can choose from 1 to 4 rings

Helpful hints

- To be able to answer a call before the unit does, increase the number of rings
- If you find difficulty in receiving faxes from machines with an automatic transmission feature, decrease the number of rings

- 1 Press **MENU**
SYSTEM SET UP
- 2 Press **#**, then press **0** **7**
FAX RING
- 3 Press **START/SET**
COUNT=1 [▲▼]
- 4 Press ▲ or ▼ to select the desired number
- 5 Press **START/SET**
- 6 Press **MENU**



Receiving fax documents and/or recording incoming voice messages automatically (ANS/FAX mode)

When the receive mode is set to ANS/FAX, the unit will work as a facsimile machine and/or answering device. If a fax call is detected, the unit will automatically switch to the fax and receive fax documents. If a voice call is detected, the answering system will begin recording, then the caller can leave a voice message.

Setting the voice message and document reception

- 1 Record a common greeting message (see page 17)
- 2 Set the unit to the ANS/FAX mode by pressing **RECEIVE MODE**
 - The display will show the remaining time for about 2 seconds

TIME LEFT=12MIN

Note:

- The total recording time (including greeting messages) is about 15 minutes. If messages are recorded in noisy rooms, the time may be less than 15 minutes.
- The recording time for each incoming message can be set to either "unlimited" (preset setting) or "1 minute". To change the setting, see page 26.
- When the remaining time is low, erase unnecessary messages from memory (see page 28).
- When the remaining time becomes less than 60 seconds, the unit will alert the user with a slow beep if a recording time alert feature is set to ON (see page 26).

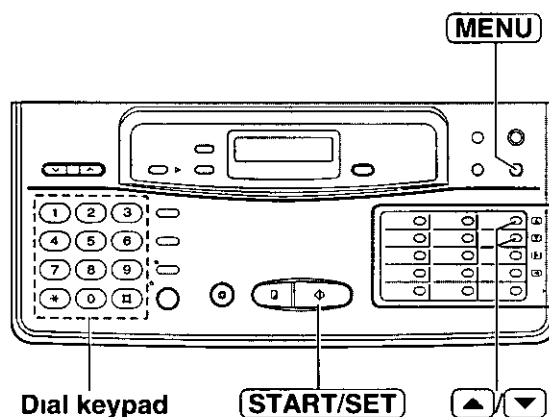
Setting the ANS/FAX mode ring count

This feature determines the number of rings after which the unit answers a call in the ANS/FAX mode. You can choose from 1, 2, 3, 4, TOLL SAVER and RINGER OFF.

TOLL SAVER. When you call the unit from a remote location, the number of rings will tell you if there are any new voice messages. If the unit answers on the first ring, there is at least one new recorded message. The second ring indicates that there are no new messages. Hang up immediately when you hear the second ring. This will save you the toll charge for the call.

RINGER OFF The unit will answer without ringing.

- 1 Press **MENU**
SYSTEM SET UP
- 2 Press **#**, then press **0 8**
ANS/FAX RING
- 3 Press **START/SET**
COUNT=1 [▲▼]
- 4 Press **▲** or **▼** to select the desired number
- 5 Press **START/SET**
- 6 Press **MENU**



Helpful hints:

- To be able to answer a call before the unit does, increase the number of rings.
- If you find difficulty in receiving faxes from machines that have an automatic transmission feature, decrease the number of rings.

Changing the caller's recording time

You can choose from two lengths of recording times for incoming messages

VOX (unlimited): The unit records an incoming message for as long as the caller speaks (pre-selected setting)

1 MIN (1 minute): The unit will record each incoming message up to 1 minute

1 Press **MENU**

SYSTEM SET UP

2 Press **#**, then press **0 9**

RECORDING TIME

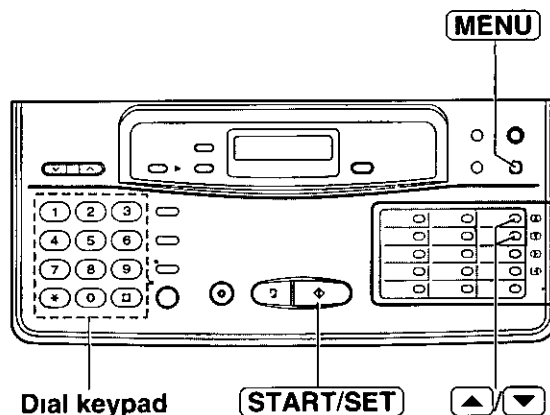
3 Press **START/SET**

MODE=VOX [▲▼]

4 Press **▲** or **▼** to select the desired setting

5 Press **START/SET**

6 Press **MENU**



Setting the recording time alert

With this feature, when the remaining time to record incoming messages becomes less than 60 seconds, the unit will alert the user with a slow beep

1 Press **MENU**

SYSTEM SET UP

2 Press **#**, then press **4 3**

REC TIME ALERT

3 Press **START/SET**

MODE=OFF [▲▼]

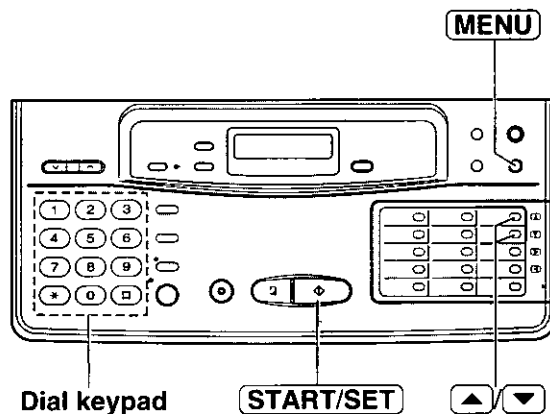
4 Press **▲** or **▼** to select "ON"

MODE=ON [▲▼]

•If this feature is not required, select "OFF"

5 Press **START/SET**

6 Press **MENU**



Operating the answering device

Listening to messages in common memory

When the unit receives voice messages,
—the NEW MESSAGES indicator will flash,
—the call counter will show the total number of recorded messages up to 99, and
—a slow beep will sound if message alert (page 28) is set to ON

To listen to new messages

Press **NEW MESSAGES**

•At the end of the last message, 3 beeps will sound

To listen to all of the recorded messages

1 Open the station key panel

2 Press **ALL MESSAGES**

Note:

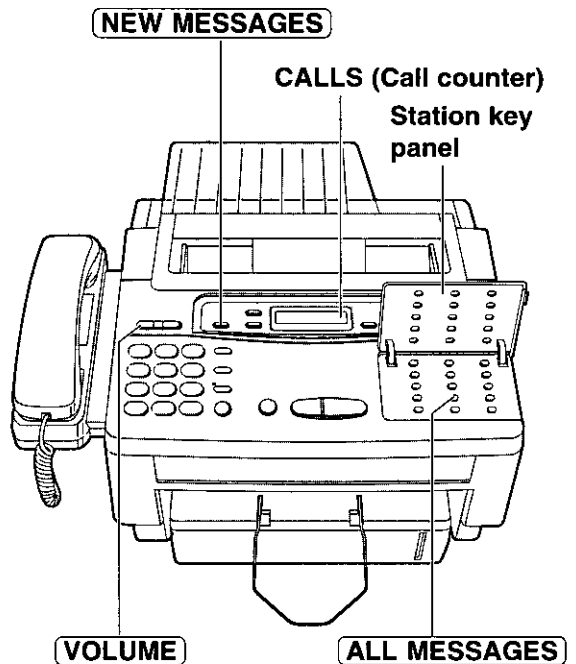
•Adjust the answering device volume using **VOLUME**

Voice time/day stamp

During playback, a synthesized voice will announce the day and time when each message was recorded

The day and time are also shown on the display along with the recorded order of the messages

SUN 12 00AM 01



Saving message

The unit will save the incoming messages automatically, if the user does not erase them

Functions during playback

To repeat a message

Press **REPEAT** to play back the previous message

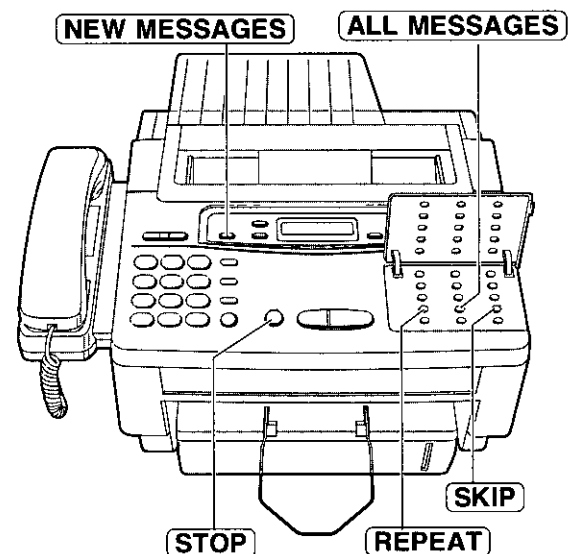
To skip a message

Press **SKIP** to play back the next message

To stop the operation

Press **STOP** to stop playback or another operation

•If you wish to resume playback, press **NEW MESSAGES** or **ALL MESSAGES** within 1 minute after pressing **STOP**



Erasing recorded messages

To erase specific messages from memory

Press **ERASE** while the message you want to erase is playing

To erase all messages in common memory

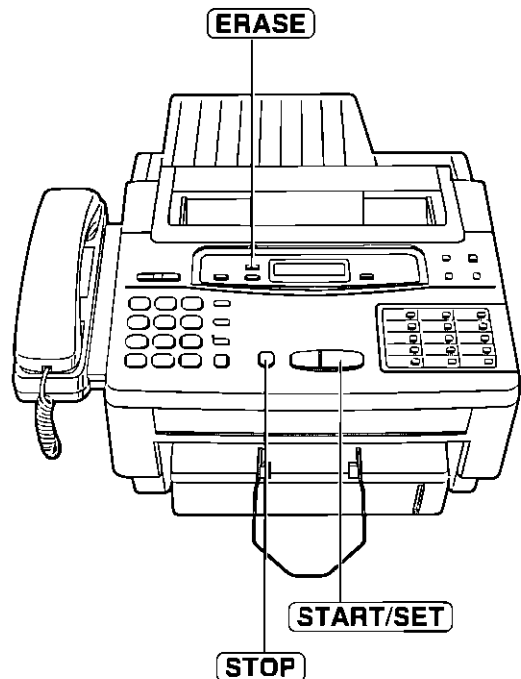
1 Press **ERASE** after listening to all of the messages

ICM ERASE OK?

2 Press **START/SET**

ERASE COMPLETED

▪ If this feature is not required, press **ERASE** or **STOP** instead of **START/SET**



Setting message alert

This feature allows your unit to alert you with a slow beep if a caller's message has been recorded in common memory

1 Press **MENU**

SYSTEM SET UP

2 Press **#**, then press **4** **2**

MESSAGE ALERT

3 Press **START/SET**

MODE=OFF [▲▼]

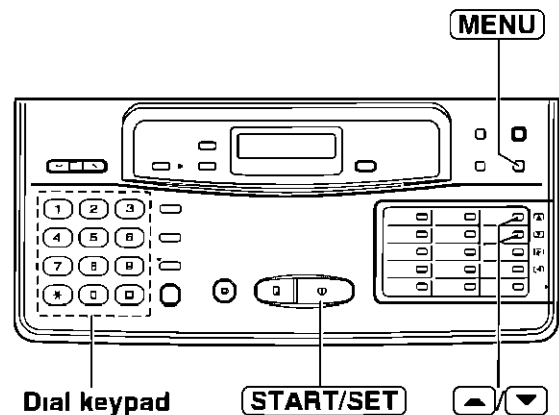
4 Press **▲** or **▼** to select "ON"

MODE=ON [▲▼]

▪ If this feature is not required, select "OFF"

5 Press **START/SET**

6 Press **MENU**



Note:

▪ This feature does not work with the mailbox feature

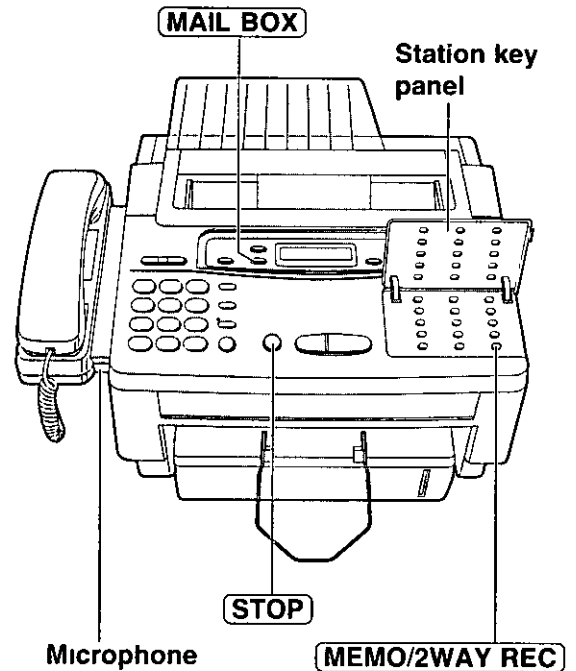
Recording a memo message

If the user is going out and wants to leave a private message for someone, they can record a voice memo in the unit. This can be played back later either directly or remotely.

- 1 Open the station key panel
- 2 Press **MEMO/2WAY REC**
- 3 Immediately after the beep, speak clearly into the microphone
- 4 When finished, press **MEMO/2WAY REC** again or **STOP**

Note

- When memory becomes full while recording, the unit will stop recording automatically and 6 beeps will be heard. Erase some or all of the messages.
- This feature can also be used with the mailbox feature. To record in a specific mailbox, you must first select the mailbox by pressing **MAIL BOX**.



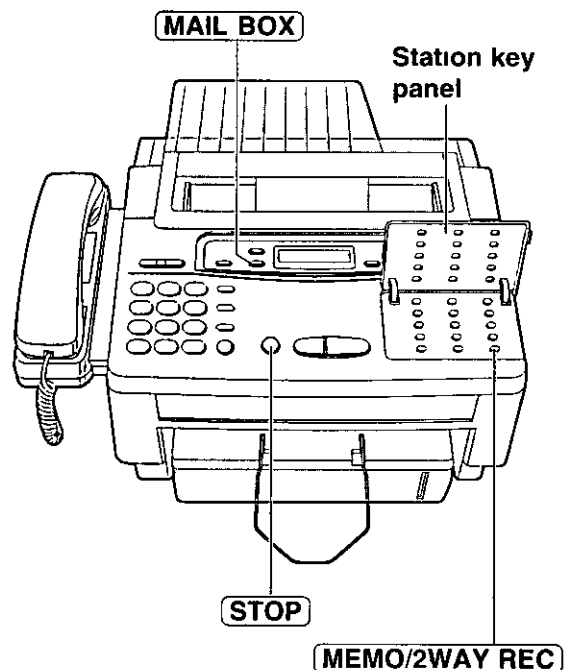
Recording a telephone conversation

The user may record a telephone conversation.

- 1 During the conversation, open the station key panel and press **MEMO/2WAY REC**
- 2 To stop recording, press **MEMO/2WAY REC** again or **STOP** or hang up after the conversation.

Note

- This feature can also be used with the mailbox feature. To record in a specific mailbox, you must first select the mailbox by pressing **MAIL BOX**.
- There may be legal restrictions in your state on recording two-way telephone conversations. The other party should be informed that the conversation is being recorded.



Making a copy

Any transmissible document can be copied (p 21)

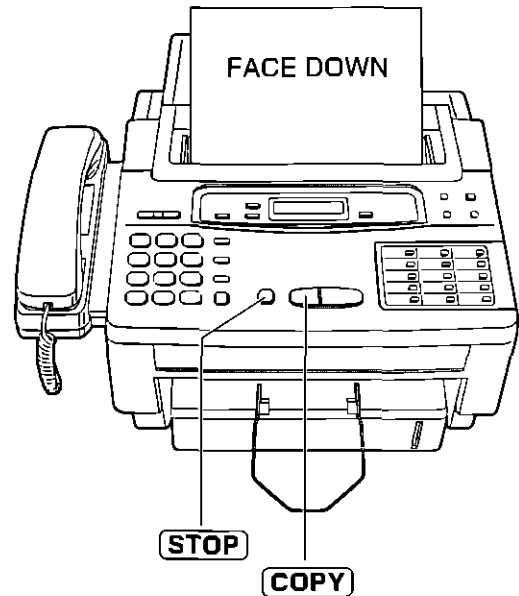
1 Insert the documents (up to 15 sheets) **FACE DOWN** until a beep tone is heard

2 Press **COPY**

- The unit will start copying

Note

- When copying, the unit will automatically select FINE resolution if the resolution is set to STANDARD
- You can select the SUPER FINE or HALF TONE resolution (p 21)
- You can make or receive a voice call while making a copy



To stop copying

Press **STOP**

Storing phone numbers for automatic dialing =

The unit's memory allows you to use both one-touch dialing and speed dialing for rapid access to your most frequently dialed numbers

One-touch dialing The unit is equipped with 13 direct call station keys, each of which is divided into an upper station and a lower station

Speed dialing The unit is equipped with 100 additional dialing stations. These stations are assigned to 2-digit numbers (00–99)

To store the phone numbers in memory, proceed as follows:

1 Press **[MENU]** until the following message is displayed

STORE TEL NO

2a For one-touch dialing:
■ For upper stations 1–13
Press one of the direct call station keys

■ For lower stations 14–26
Press **[LOWER]**, then press one of the direct call station keys

2b For speed dialing:
Press **[#]**, then press the desired 2-digit number (00–99)

3 Enter the phone number up to 30 digits in length
● To enter a hyphen in a phone number, press **[HYPHEN]** (direct call station 8)

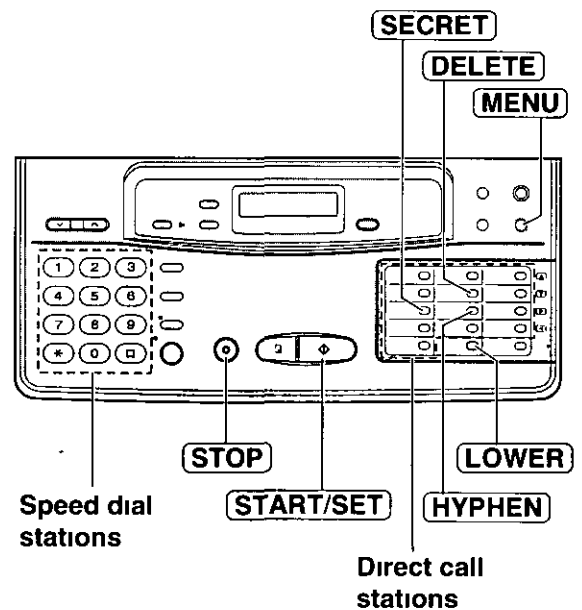
4 Press **[START/SET]** to store the number

NAME=

5 Enter the station name, up to 10 characters, by following the instructions on page 15

6 Press **[START/SET]** to store the station name
● To program other stations, repeat steps 2 to 6

7 Press **[STOP]**



Helpful hint:

- To confirm stored phone numbers and station names, print a telephone number list (see page 62)

To keep whole or part of the phone number secret

Press **[SECRET]** (direct call station 3) before and after the number you wish to keep secret

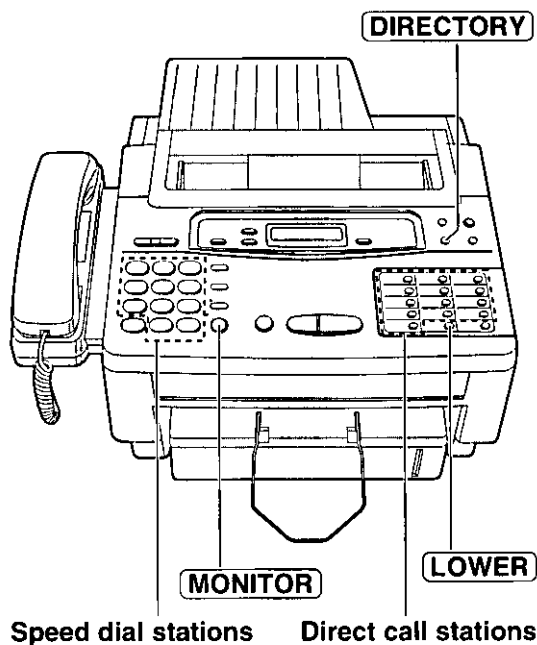
- The phone number will not appear on the display and on the telephone number list
- Pressing **[SECRET]** once counts as two digits

To erase a stored number and station name

Press **[STOP]** in step 3 to clear the phone number
Press **[DELETE]** (direct call station 7) repeatedly in step 5 until all of the characters are erased
Then press **[START/SET]**

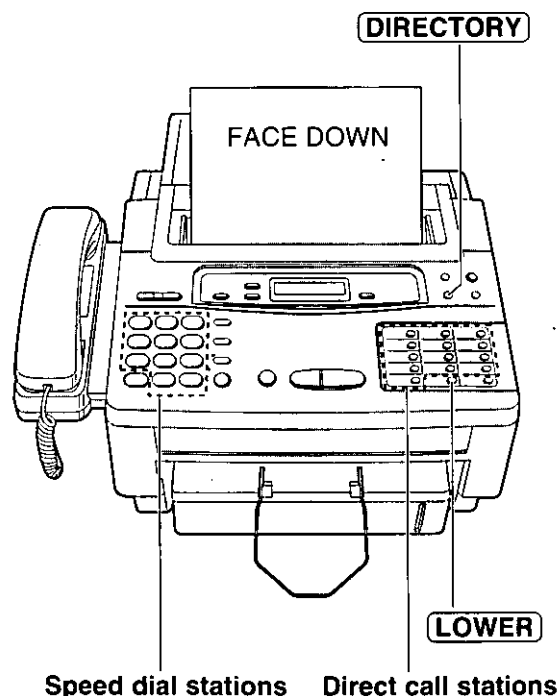
Making voice calls using automatic dialing

- 1** Press **MONITOR** or lift the handset.
- 2a** **Using one-touch dialing:**
 - **For upper stations 1–13**
Press the desired direct call station key.
 - **For lower stations 14–26**
Press **LOWER**, then press the desired direct call station key.
- 2b** **Using speed dialing:**
Press **DIRECTORY**, then press **#** and the desired 2-digit number (00–99).
- 3** If using **MONITOR**, when the other party answers, lift the handset and speak into it.



Transmitting documents using automatic dialing

- 1** Insert the documents **FACE DOWN**.
- 2a** **Using one-touch dialing:**
 - **For upper stations 1–13**
Press the desired direct call station key.
 - **For lower stations 14–26**
Press **LOWER**, then press the desired direct call station key.
- 2b** **Using speed dialing:**
Press **DIRECTORY**, then press **#** and the desired 2-digit number (00–99).



Electronic telephone directory

The station names stored in memory are automatically registered into the electronic telephone directory in alphabetical order. You can make a fax or voice call by selecting the desired station name on the display.

If you wish to send a fax, insert the documents into the document feeder tray first.

1 Press **DIRECTORY**.

SELECT INDEX

2 Press the dial key in which the first initial of a station name is assigned (see the index table below).

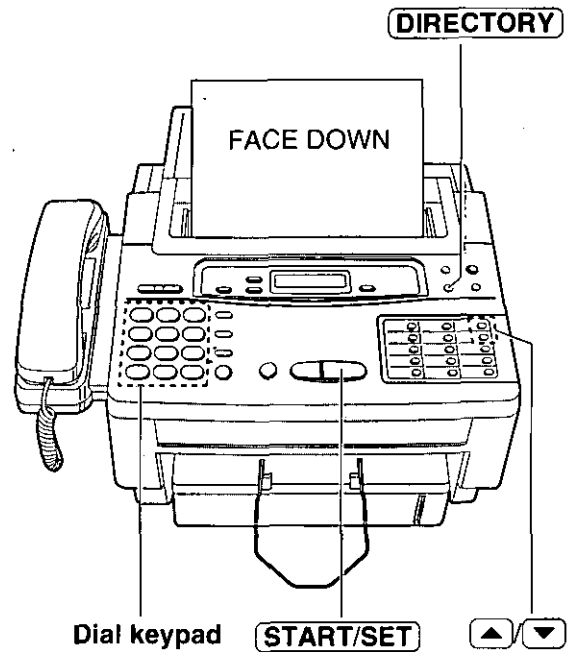
Example: To search a name with initial "N":
Press **6** repeatedly until the first station name with initial "N" is displayed. Press **▼** until the desired name is displayed.

OR

Press **▲** or **▼** repeatedly until the desired name is displayed.

3 Press **START/SET**.

- The unit will start dialing.
- If a document is fed into the unit, the unit will start transmission.



Dial key	Index	Dial key	Index
1	1	7	P, Q, R, S, 7
2	A, B, C, 2	8	T, U, V, 8
3	D, E, F, 3	9	W, X, Y, Z, 9
4	G, H, I, 4	0	0
5	J, K, L, 5	*	Other symbols
6	M, N, O, 6	#	(Used for speed dialing)

Advanced Operations

Voice contact

(talking to the caller during or after fax reception or transmission)

You can have a voice conversation with the same call after the fax message is completed. This will save the extra expense and time of making another call.

This feature works only when the other party's unit is equipped with a voice contact feature.

Initiating voice contact

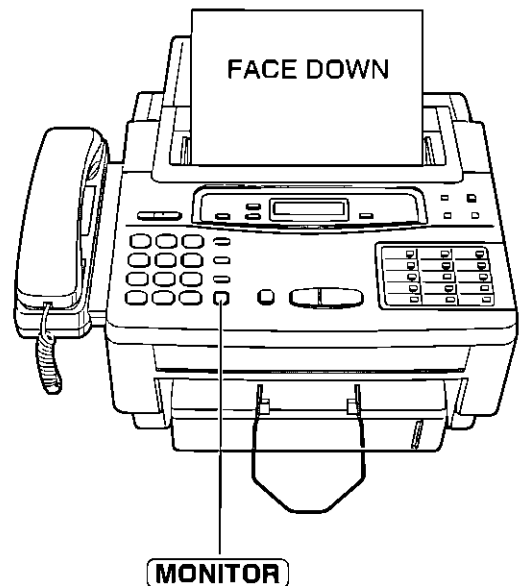
- 1** Press **MONITOR** while transmitting or receiving documents

VOICE STANDBY

- Your unit will call the other party with a distinctive ring

- 2** When the other party answers, the unit will emit a distinctive ring. Lift the handset to start talking.

- If you initiate voice contact during transmission, you can talk after all of the documents have been transmitted
- If you initiate voice contact during reception, you can talk after the current page of the document is received
- You can initiate voice contact by lifting the handset during transmission or reception
- If the other party does not answer, the line will be automatically disconnected



Receiving a request for voice contact

If the other party initiates voice contact, your unit will emit a distinctive ring after transmission or reception is completed.

When the distinctive ring is heard, lift the handset, then start talking.

Note:

- If you do not answer within 10 seconds of the distinctive ring, one of the following occurs
 - when the unit is in the ANS/FAX mode, it will play back your greeting message and record the incoming voice message
 - when the unit is in the FAX or TEL mode, the line will be disconnected

TONE, FLASH and REDIAL/PAUSE buttons

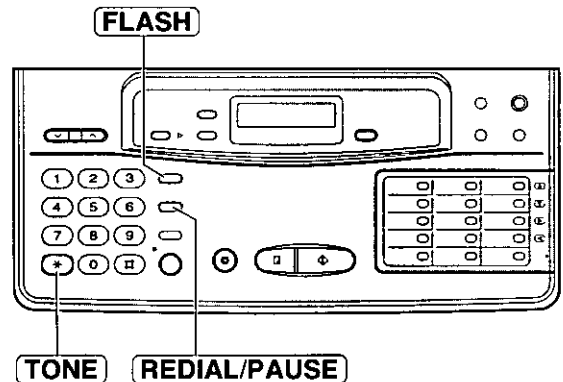
TONE button

The TONE (*) button is used for a rotary pulse dial service and allows you to temporarily change from pulse to tone mode during a dialing operation. When you hang up, the unit will automatically return to pulse mode.

FLASH button

The FLASH button functions as the hookswitch on a regular phone. If you misdial or dial another phone number, press the FLASH button firmly.

The FLASH button also allows you to use special features of a host exchange (if connected) or local telephone company services such as call waiting. For further details, contact your local telephone company.



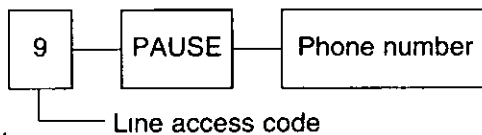
Note:

- TONE, FLASH and PAUSE can be stored into a phone number for automatic dialing.

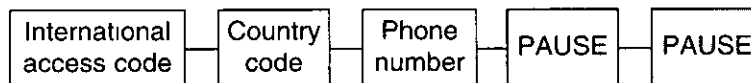
Entering pauses

If the REDIAL/PAUSE button is pressed during dialing, a pause will be inserted.

Example-1: When your unit is connected to a host exchange, insert a pause to get an outside line.



Example-2: If a transmission error occurs when making an overseas transmission, add two pauses at the end of the phone number.



Redialing the last number dialed

If the REDIAL/PAUSE button is pressed immediately after a dial tone is obtained, the last number dialed will be redialed.

1. Lift the handset or press **MONITOR**

2. Press **REDIAL/PAUSE**

- If the line is busy when using the MONITOR button, the unit will automatically redial the number up to 14 times.

Polling

(retrieving fax documents)

The polling feature allows you to retrieve a document from another compatible machine where you pay for the call as opposed to the document being sent to you, thereby saving the other party call charges. This unit can perform both receive and transmit polling.

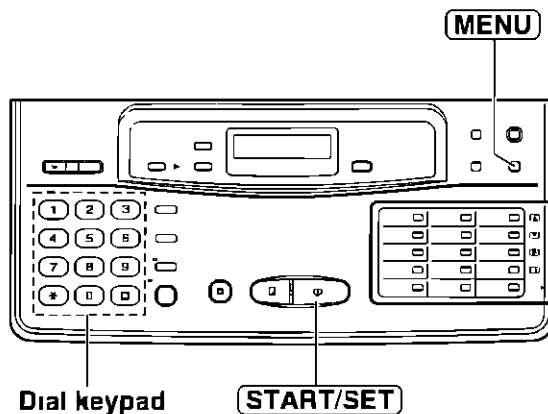
Receive polling

To place a call and recover a document from another machine, follow the steps below. Make sure that no documents have been fed into your unit and that the other party's machine is ready for your call.

- 1 Press **MENU** until the following is displayed

POLLING
- 2 Press **START/SET**

NO =
- 3 Enter the phone number by using one-touch dialing, speed dialing, full number dialing or the electronic telephone directory (see page 33)
- 4 Press **START/SET**



Transmit polling

A document stored in your unit can be recovered by another party's machine. To let other machines retrieve documents loaded on your unit, proceed as follows:

- 1 Press **RECEIVE MODE** to select the ANS/FAX or FAX mode
- 2 Insert the documents FACE DOWN
- 3 Press **MENU** until the following is displayed

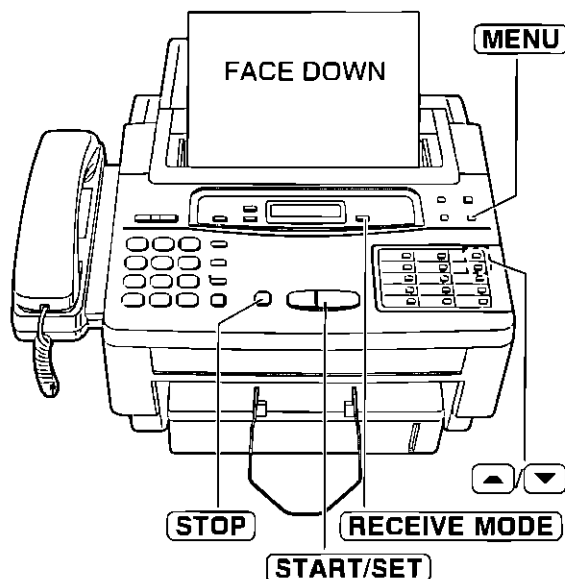
POLLED
- 4 Press **START/SET**

MODE=OFF [▲▼]
- 5 Press ▲ or ▼ to select "ON"

MODE=ON [▲▼]

 - If this feature is not required, select "OFF"
- 6 Press **START/SET**

POLLED ON



Note

- When delayed transmission (page 37) is set to ON, this feature is not available
- After transmit polling is performed, this feature will automatically turn off

To cancel the transmit polling

Press **STOP**

Delayed transmission

(sending a fax at a later time)

Using a built-in clock, this unit can send documents automatically at a specific time. This allows you to take advantage of low-cost calling hours offered by some telephone companies.

The delayed transmission can be reserved to take place up to 24 hours in advance.

1 Insert the documents FACE DOWN

2 Press **MENU**

SYSTEM SET UP

3 Press **#**, then press **2** **5**

DELAYED XMT

4 Press **START/SET**

MODE=OFF [▲▼]

5 Press ▲ or ▼ to select "ON"

MODE=ON [▲▼]

6 Press **START/SET**

NO =

7 Enter the phone number by using one-touch dialing, speed dialing, full number dialing or the electronic telephone directory

8 Press **START/SET**

TIME=12 00AM

9 Enter the transmission start time

Example: 11 00PM

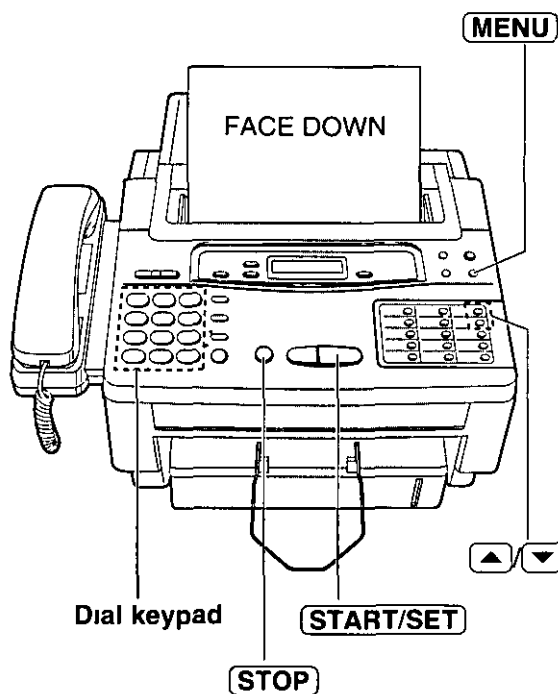
Press **1****1****0****0**, then press **#** to select PM

To select AM, press *****

10 Press **START/SET**

11 Press **MENU**

- When the programmed time has come, the unit will automatically start transmission



Note:

- You can receive, transmit and copy documents while delayed transmission is set
- When transmit polling (see page 36) is ON, delayed transmission is not available

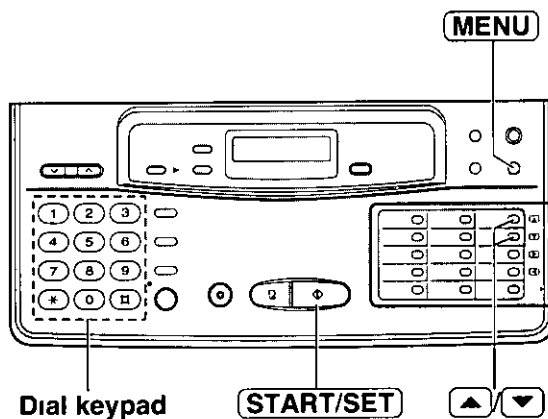
To cancel the delayed transmission

Press **STOP**

Sending documents overseas

You may experience difficulty in transmitting documents overseas. This feature will make sending documents easier as the transmission speed is slowed down. Before starting the transmission procedure, follow the steps below.

- 1 Press **MENU**
SYSTEM SET UP
- 2 Press **#**, then **2** **3**
OVERSEAS MODE
- 3 Press **START/SET**
MODE=OFF [▲▼]
- 4 Press **▲** or **▼** to select "ON"
MODE=ON [▲▼]
- 5 Press **START/SET**
- 6 Press **MENU**



Note:

- After transmission, this feature will be turned off automatically.

Reserving transmission during fax reception

While the unit is receiving documents, you can reserve your fax transmission to another station. The unit will automatically transmit documents after fax reception is completed.

- 1 Insert the documents **FACE DOWN** during fax reception.
- 2 Enter the phone number by using one-touch dialing, speed dialing, full number dialing or the electronic telephone directory (see page 33).
- 3 Press **START/SET**
XMT RSV ON

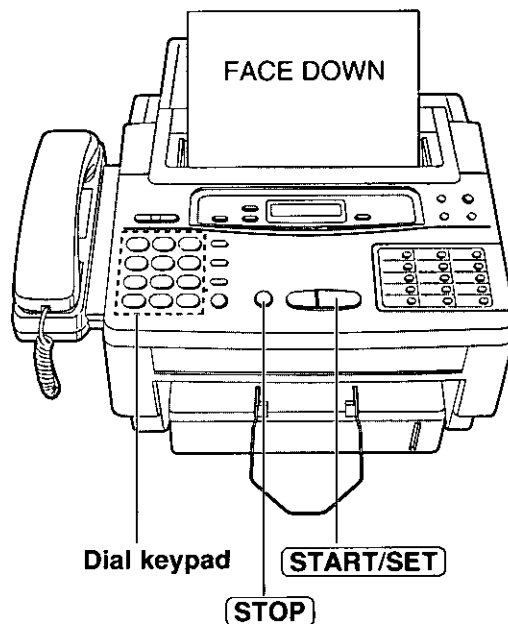
To cancel the reservation

Remove the documents from the document feeder tray.

—When the fax reception is complete, the unit will show the following message:

CHECK DOCUMENT

Press **STOP** to clear the message.



Printing a cover page

The unit can print a cover page to attach to documents you send

Sample of a cover page

[FAX COVER PAGE]

TO _____ DATE _____
 NAME
 FAX NO

FROM _____
 NAME
 FAX NO

Number of pages _____ (including cover page)

Subject / Notes _____

To print a cover page, proceed as follows:

- 1 Press **MENU** until the following is displayed

PRINT LIST

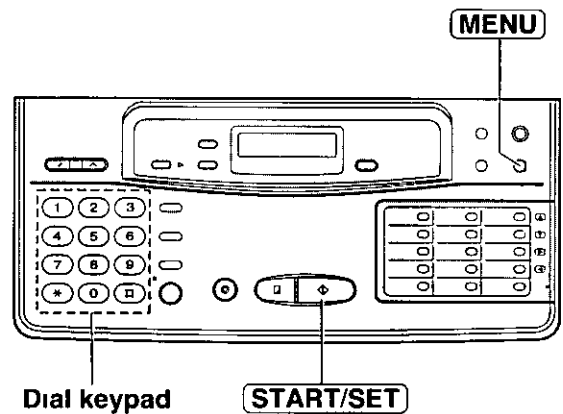
- 2 Press **#**, then **7**

FAX COVER PAGE

- 3 Press **START/SET** to start printing

PRINTING

- 4 Press **MENU**



Changing the logo print position

The logo, telephone number, date, time and page number will be printed on the transmitted document from your unit in the following manner

OUT: Outside of the transmitted document's paper size (pre-selected setting)

IN: Inside of the transmitted document's paper size

To change the setting, proceed as follows

- 1 Press **MENU**

SYSTEM SET UP

- 2 Press **#**, then **21**

LOGO POSITION

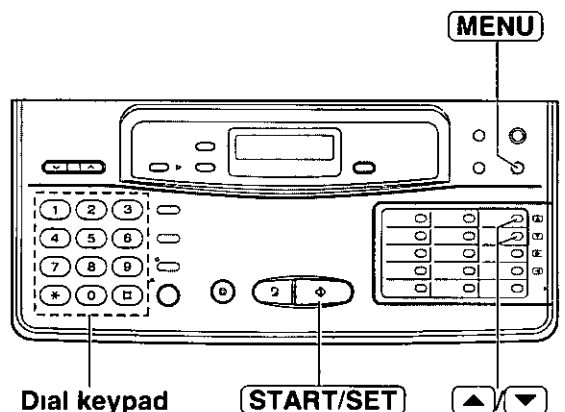
- 3 Press **START/SET**

MODE=OUT [▲▼]

- 4 Press **▲** or **▼** to select the desired setting

- 5 Press **START/SET**

- 6 Press **MENU**



Remote fax receiving

(using an extension phone to receive a fax message)

If you have an extension phone on the same line, it is possible to receive a manual fax message. Using the extension phone, dial the remote fax activation code.

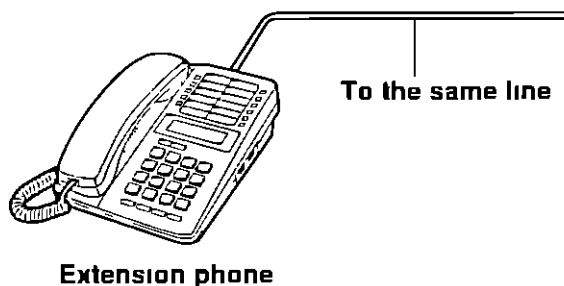
This saves you from going to the facsimile unit and pressing **START/SET**.

Important

- To activate this feature, use a touch tone telephone as the extension phone and press *** *** (pre-selected remote fax activation code) **FIRMLY**.

Receiving using an extension phone

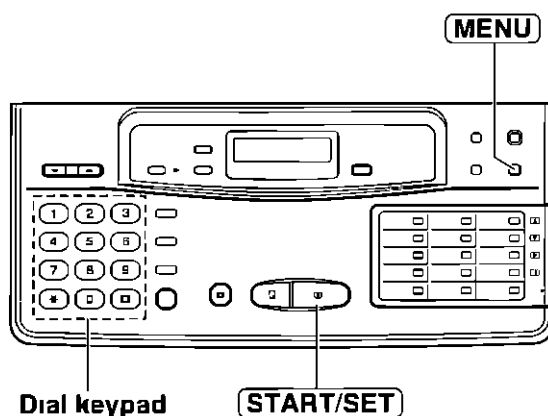
- 1 When a call is received, lift the handset of the extension phone.
- 2 When
 - document reception is required,
 - a slow beep is heard, or
 - no sound is heard,press *** *** (pre-selected remote fax activation code) **FIRMLY**.
- 3 Replace the handset.
 - The facsimile unit is activated for reception.



Changing the remote fax activation code

This code can be from 2 to 4 digits in length using the numbers 0 through 9 and the character *.
This code should not be set to "0000".

- 1 Press **MENU**.
SYSTEM SET UP
- 2 Press **4**, then **1**.
REMOTE FAX ACT
- 3 Press **START/SET**.
CODE=**
- 4 Enter the new code number.
- 5 Press **START/SET**.
- 6 Press **MENU**.



Note

- Some special telephone company services will require you to enter a service access code. If you subscribe to such services, whole or part of the remote fax activation code must be different from the service access code.

Junk mail prohibitor

(preventing the reception of unwanted fax documents)

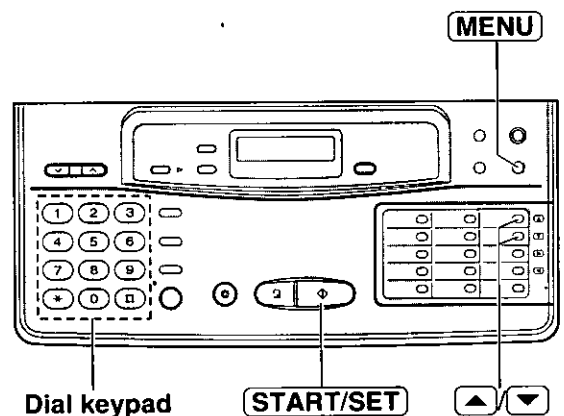
This feature prevents reception from facsimile machines whose phone numbers are not stored in automatic dialing

Important:

- This feature does not work when
 - the receive mode of the unit is set to the TEL mode,
 - manual reception is performed, or
 - the other party does not program their facsimile/telephone number correctly
- To receive documents from unauthorized machines, inform your junk mail prohibitor ID to callers, and ask them to transmit documents manually
- The junk mail prohibitor ID must be different from the first 2 digits of the remote operation ID (p 56) and the mailbox password (p 50) E.g if the remote operation ID is “321”, do not use “32” as a junk mail prohibitor ID

Setting the junk mail prohibitor

- 1 Press **MENU**
SYSTEM SET UP
- 2 Press **#**, then **24**
JUNK MAIL PROH
- 3 Press **START/SET**
MODE=OFF [▲▼]
- 4 Press **▲** or **▼** to select “ON”
MODE=ON [▲▼]
• If this feature is not required, select “OFF”
- 5 Press **START/SET**
ID=22
- 6 To change the junk mail prohibitor ID, enter the desired 2-digit number
• 0, # and * cannot be used
- 7 Press **START/SET**
- 8 Press **MENU**



Transmitting documents to your unit with the prohibitor ID

Even if the junk mail prohibitor feature is activated, a designated caller will be able to transmit documents. Give your junk mail prohibitor ID to all of your designated callers, and advise them of the following steps. This operation is available only in the ANS/FAX mode.

- 1 Call your unit from a touch tone telephone
- 2 Enter the prohibitor ID while the greeting message is playing
- 3 Listen for the fax tone, and start transmission

Receiving with distinctive ring service

This feature can only be used by those who subscribe to a distinctive ring pattern service from their telephone company. For more information on the availability of this service, please contact your telephone company before setting this feature on your unit.

The distinctive ring service gives you up to 3 phone numbers on a single telephone line, each having a different ringing pattern.

When you use one of the phone numbers as a facsimile number, program the ringing pattern assigned for fax into your unit. When the unit detects a call matching the selected distinctive ringing pattern, the unit will activate depending on the receive mode setting.

Setting the distinctive ringing pattern

Program the ring pattern assigned for fax. Ringing patterns that can be programmed are,

- A** Standard ring (One long ring)
- B** Double ring (Two short rings)
- C** Triple ring (Short-long-short rings)
- D** Other triple ring (Short-short-long rings)
- OFF** Turns off the ring pattern detection feature (pre-selected setting)

1 Press **MENU**

SYSTEM SET UP

2 Press **#**, then **3** **1**

RING DETECTION

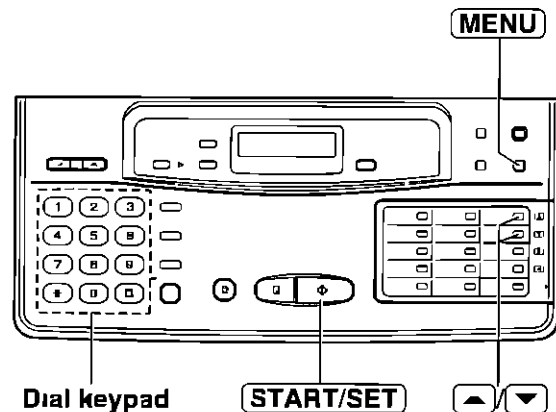
3 Press **START/SET**

MODE=OFF [▲▼]

4 Press **▲** or **▼** until the desired ringing pattern appears

5 Press **START/SET**

6 Press **MENU**



How the unit will answer in each receive mode

ANS/FAX mode When a distinctive ringing pattern that matches your selection is detected, the unit will automatically answer the line without ringing and activate the fax function to receive documents. If other ringing patterns are received, the unit will ring and activate the fax or answering function depending on the call.

- When receiving other ringing patterns, the unit will ring one less time than the ANS/FAX mode ring count (p. 25) for ringing pattern detection.

FAX mode: In this mode, the unit will answer all calls and activate the fax function.

TEL mode: When a distinctive ringing pattern that matches your selection is detected, the unit will automatically answer the line without ringing and activate the fax function to receive documents. If other ringing patterns are received, the unit will ring until you pick up the handset.

Note:

- The unit automatically answers a distinctive ring call after the second ring. To change the number of rings, change the FAX ring count (p. 24) after setting the ringing pattern.

Signaling your pager that you have received a fax document

This feature allows your unit to call your pager automatically each time your unit receives a fax message

1 Press **MENU**

SYSTEM SET UP

2 Press **#**, then **7 0**

FAX PAGER

3 Press **START/SET**

MODE=OFF [▲▼]

4 Press **▲** or **▼** to select "ON"

MODE=ON [▲▼]

•If this feature is not required, select "OFF"

5 Press **START/SET**

NO =

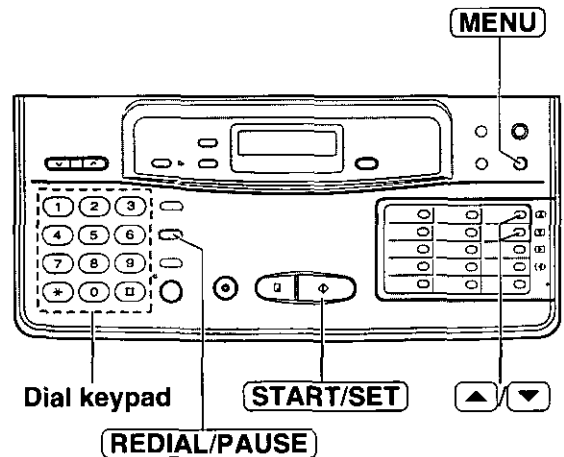
6 Enter your pager phone number
If necessary, press **REDIAL/PAUSE** twice
Contact your pager company regarding the proper pause time

If your pager has the ability to display phone numbers, enter the number that you want to appear in the display

Press **#** if required by your pager company

7 Press **START/SET**

8 Press **MENU**



Note:

•You may enter a total of 30 digits and/or pauses in step 6

Receiving documents in memory

The unit will temporarily store incoming fax documents in memory when

- the recording paper or film runs out,
- a paper jam occurs,
- the film cartridge is not installed properly, or
- the top cover is open

Printing documents from memory

When documents are received in memory, the unit will alert you with beep tones and alternately show "FAX IN MEMORY" and the applicable following message(s) on the display which explain(s) the reason for memory reception. Solve the problem according to each message in order to print the stored documents.

■ **"OUT OF PAPER" is displayed**

- The unit ran out of recording paper
- Load the recording paper

■ **"PAPER JAMMED" is displayed**

- A paper jam occurred
- Remove the jammed paper (p. 71)

■ **"CHECK CASSETTE" is displayed**

- The recording paper is jammed near the paper cassette
- Clear the jammed paper (p. 72)

■ **"FILM EMPTY" is displayed.**

- Film is empty
- Replace the film or film cartridge with a new one (p. 75)

■ **"CHECK FILM" is displayed:**

- A film cartridge is not inserted in the unit
- Insert a film cartridge

■ **"CHECK COVER" is displayed**

- The top cover is open
- Close the top cover

Note

- For memory capacity specifications when storing documents, see page 81. If memory becomes full during reception, the unit will stop receiving documents and the display will show the following message:

FAX MEMORY FULL

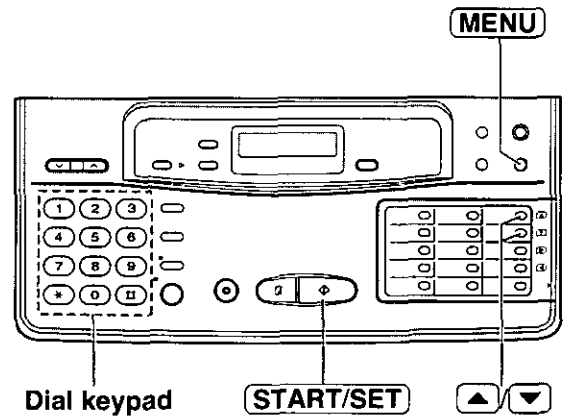
Print the stored documents to clear memory.

- If memory reception alert is set to OFF, the unit will not beep when documents are received in memory (p. 45)

Setting memory reception alert

When received documents are stored into memory, the unit will alert you with beep tones. If you hear slow beeps, clear the printing problem or supply paper to print the stored documents. The beep sound will stop.

- 1 Press **MENU**
SYSTEM SET UP
- 2 Press **#**, then **4** **4**
RECEIVE ALERT
- 3 Press **START/SET**
MODE=ON [▲▼]
- 4 Press ▲ or ▼ to select the desired mode
- 5 Press **START/SET**
- 6 Press **MENU**



Receiving oversized documents

When the size of the documents sent by the other party is as large as, or larger than the recording paper, the unit can reduce each page of the document and print it out on the recording paper at a suitable reduction rate. The reduction rate is determined by a combination of the size of the recording paper and received document.

■ Recommended reduction rates:

Mode	Size of recording paper	Size of received document
OFF	Legal	Letter, A4
92% (pre-selected setting)	Letter	Letter
	Legal	Legal
86%	Letter	A4
72%	Letter	Legal

Letter = 216×279 mm (8½"×11")

Legal = 216×356 mm (8½"×14")

A4 = 210×297 mm (may not be available in the United States)

To program a reduction rate, proceed as follows.

1 Press **MENU**

SYSTEM SET UP

2 Press **#**, then **3** **6**

RX REDUCTION

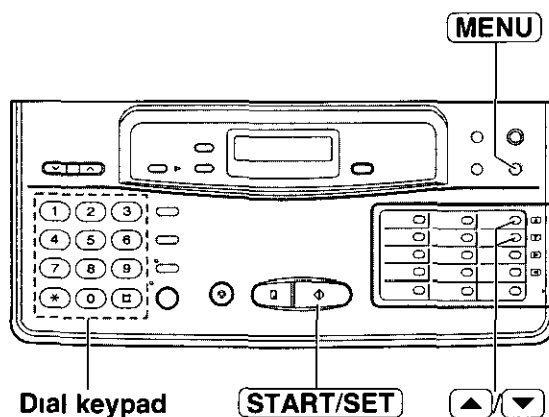
3 Press **START/SET**

MODE=92% [▲▼]

4 Press **▲** or **▼** to select the desired mode

5 Press **START/SET**

6 Press **MENU**



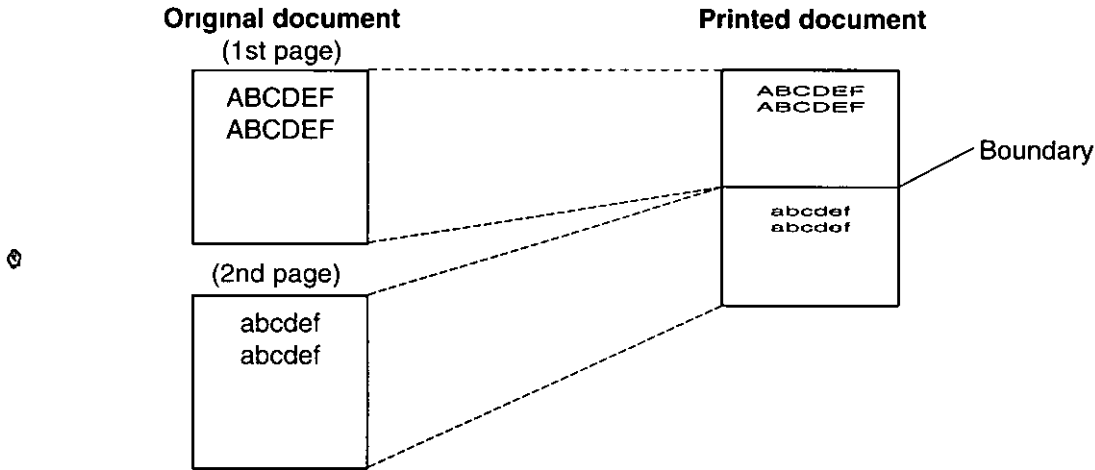
Note:

- This feature is not available when the film/paper save reception feature is set to ON (p. 47)
- Documents received by facsimile frequently have a heading on the top of each page which contains the sender's name/phone number. This increases the length of each page. Therefore, it is recommended to use the reduction mode.
- If the appropriate reduction rate is not programmed, the over-sized document will be divided.

Film/paper save reception

Use this feature if you wish to save film and recording paper when receiving two or more faxed pages. When this feature is set, the unit will reduce the received document to half its length and print two pages of the document on one page. A boundary will be printed out between the document pages.

Sample of paper save print



Setting the film/paper save function

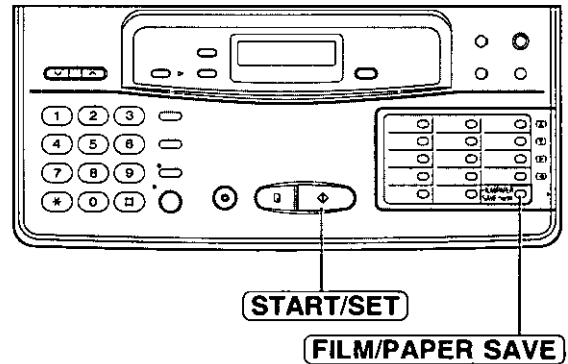
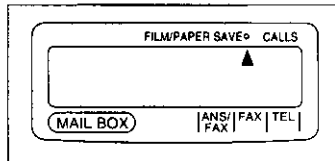
- 1 Press **FILM/PAPER SAVE**
 - The following messages will be alternately displayed

PAPER SAVE=ON?
YES PRESS SET

- 2 Press **START/SET**

FILM/PAPER SAVE

- The arrow mark will be displayed



To deactivate this feature

- 1 Press **FILM/PAPER SAVE**
 - The following messages will be alternately displayed

PAPER SAVE=OFF?
YES PRESS SET

- 2 Press **START/SET**

Note

- This feature will not work when the other party sends a document in fine resolution or another nonstandard resolution
- When a reduced document is longer than the recording paper, it will be printed on two pages. The continuation will be printed on the next page and there may be wasted space. In this case, paper and film will not be saved.
- When original documents are longer than legal size (356 mm in length), the unit will not print the next page of the document on the same page.
- Paper and film will not be saved for a one page document and the last page of odd numbered documents.

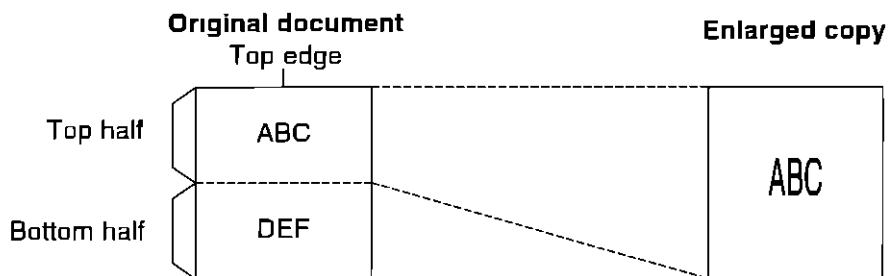
Making an enlarged copy

Use this feature to enlarge a document to twice the length of the paper that is being used in the paper cassette

This feature is used to reverse the film/paper save function (p 47)

Sample of enlarged copy

When you want to enlarge the top half of the document,



Insert the document into the unit from the top edge side
FACE DOWN

To make an enlarged copy:

1 Insert the documents FACE DOWN

2 Press **MENU**

3 Press **#**, then **3** **4**

4 Press **COPY**

•The unit will start copying

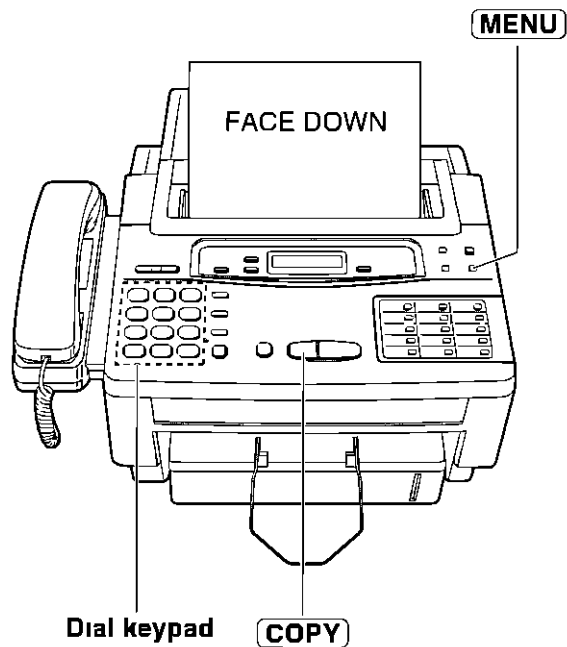
5 After copying, press **MENU**

Note

•The FINE, SUPER FINE or HALF TONE resolutions cannot be used

•To make an enlarged copy of the whole page whose length is as long as, or shorter than your installed paper

First insert the top half of the original document into the feeder tray and copy. Then turn the original around and insert the bottom half of the document into the feeder tray and copy.



Making a reduced copy

When you copy documents that are longer than the recording paper, the unit can reduce the original document and print it out on one page by programming a suitable reduction rate. The reduction rate is determined by a combination of the size of recording paper and original document.

■ Recommended reduction rates:

Mode	Size of recording paper	Size of original document
OFF (pre-selected setting)	Letter	Letter
	Legal	Letter, A4, Legal
92%	Letter	A4
72%	Letter	Legal

Letter = 216×279 mm (8½"×11")

Legal = 216×356 mm (8½"×14")

A4 = 210×297 mm (may not be available in the United States)

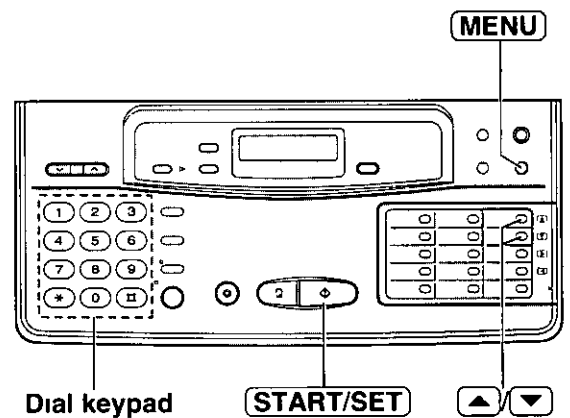
To program a reduction rate, proceed as follows.

- 1 Press **MENU**

SYSTEM SET UP
- 2 Press **#**, then **3 5**

COPY REDUCTION
- 3 Press **START/SET**

MODE=OFF [▲▼]
- 4 Press **▲** or **▼** to select the desired mode
- 5 Press **START/SET**
- 6 Press **MENU**



Note:

- If the appropriate reduction rate is not programmed, the document may be divided and the top of the second sheet will be deleted.

Voice mailbox

(how callers can leave you private messages)

The unit has three mailbox memories. Your caller can leave a message in a specific mailbox. Only the person who knows the password can retrieve the message from the mailbox.

If your caller does not specify a mailbox, their message will be recorded in common memory and anyone can retrieve the message from memory.

This feature is useful when you use the unit with other people and when a caller would like to record a message directly to a specific person.

To use a mailbox

- 1 Program each mailbox password (see below)
- 2 Record a common greeting message (p. 17)
- 3 Record (a) personal greeting message(s) into the mailbox(es). See page 51
- 4 Inform callers of their mailbox number in advance
- 5 Set the unit to the ANS/FAX mode (p. 18)

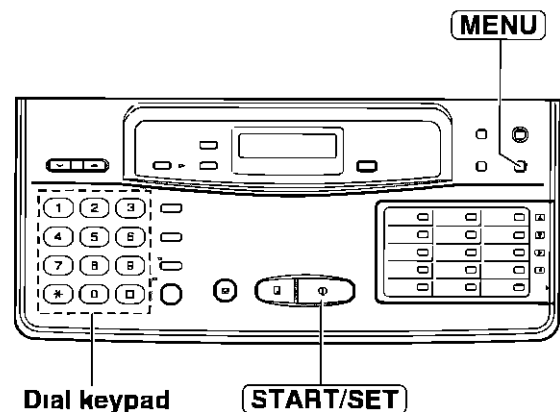
Programming the mailbox password

Program your own password for your mailbox to prevent other users from retrieving messages.

Choose any 3-digit number except a number using digits 0 or 7.

The mailbox password must be different from the first 2 digits of the junk mail prohibitor ID (page 41) and the remote operation ID (page 56).

- 1 Press **MENU**
SYSTEM SET UP
- 2 For mailbox 1, press **#**, then **5 1**
BOX1 PASSWORD
For mailbox 2, press **#**, then **5 2**
BOX2 PASSWORD
For mailbox 3, press **#**, then **5 3**
BOX3 PASSWORD
- 3 Press **START/SET**
NO =
- 4 Enter the new password (111–999)
- 5 Press **START/SET**
 - To program other passwords, repeat from step 2
- 6 Press **MENU**



Recording a mailbox greeting message

Record a personal greeting message for each mailbox. This will be played back to the caller who selected the specific mailbox.

Helpful hints:

- The maximum length of each greeting message is 16 seconds. We recommend you record a brief greeting message to leave more time for incoming messages.
- If you do not record a mailbox greeting message, incoming messages will be recorded after the long beep.

1 Open the station key panel

2 Press **SELECT** until the desired mailbox number is displayed

Example: Mailbox 2

BOX2-GREETING

3 Press **REC**

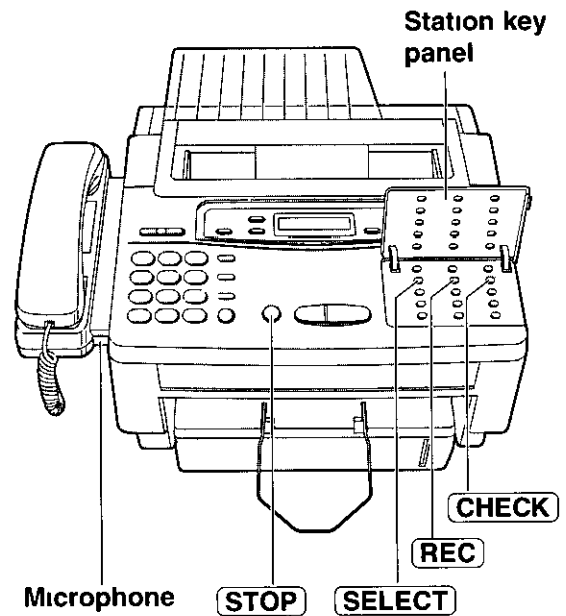
- A long beep will sound

4 Immediately after the long beep, speak clearly into the microphone

- The display shows the elapsed recording time

BOX2 REC 02s

5 When finished, press **STOP**



Suggested message

"Hello, this is John. Sorry, I cannot take your call. Please leave your message after the beep. Thank you."

To check your mailbox greeting message

- 1 Press **SELECT** until the desired mailbox number is displayed
- 2 Press **CHECK**

To erase a mailbox greeting message

- 1 Press **SELECT** until the desired mailbox number is displayed
- 2 Press **REC**
- 3 Press **STOP** immediately after the long beep

How incoming messages are recorded in a mailbox _____

In order to leave a message in a mailbox, each owner of a mailbox must inform their callers of their mailbox number in advance and set the unit to the ANS/FAX mode

- 1 A caller calls your unit (only from a touch tone telephone)
 - The common greeting message will play
- 2 They press *, then the desired mailbox number (1–3)
 - The personal greeting message will play, followed by a long beep
- 3 They leave a message in the mailbox

Note

- If a caller does not specify a mailbox in step 2, the message will be recorded into common memory

Listening to messages in a mailbox _____

When there is a new message in a mailbox,
—the mailbox number in the display and the NEW MESSAGES indicator will flash, and
—a slow beep will sound if mailbox alert (page 53) is set to ON

- 1 Press **MAIL BOX** repeatedly until the desired mailbox number is displayed

Example. Mailbox 2 BOX2 02

- 2
 - If you leave the mailbox password as "555" (pre-selected setting),

Press **NEW MESSAGES** to listen to new recorded messages, or press **ALL MESSAGES** to listen to all of the recorded messages

OR

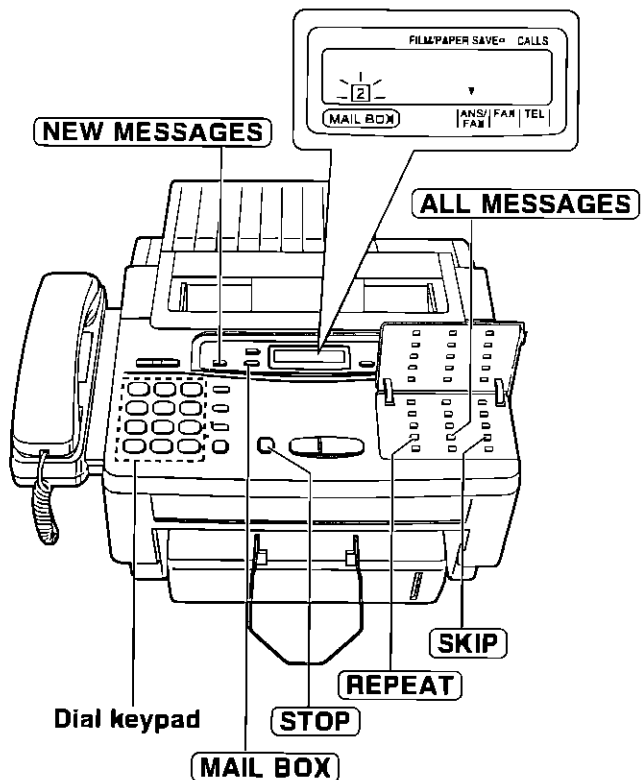
- If you program your own password,

Enter your password

PASSWORD=

- The unit will play back the new recorded messages
- If no new messages are recorded, the unit will play back all of the recorded messages

- 3 To exit the mailbox, press **MAIL BOX**



Note

- The REPEAT, SKIP and STOP buttons can be used

Erasing recorded messages in a mailbox

Erasing a specific message in a mailbox

Press **ERASE** while the message you want to erase is playing

Erasing all messages in a mailbox

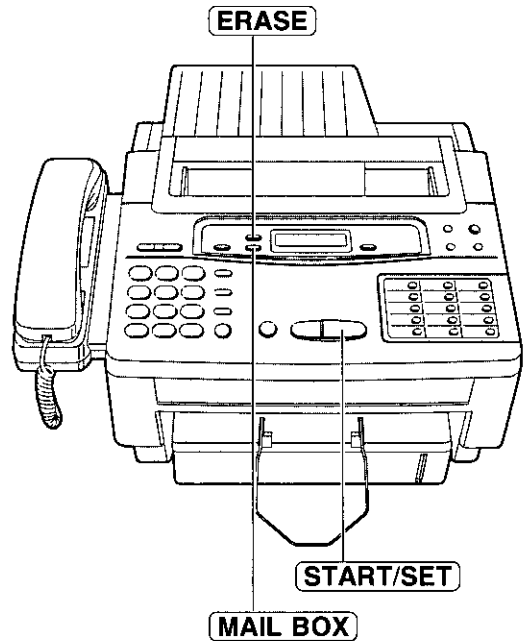
1 Press **MAIL BOX** repeatedly until the desired mailbox number is displayed
Example: Mailbox 1 is selected

2 Press **ERASE**

BOX1 ERASE OK?

3 Press **START/SET**

ERASE COMPLETED



Setting mailbox alert

This feature will alert you with a slow beep when a caller's message is recorded in a mailbox

1 Press **MENU**

SYSTEM SET UP

2 Press **#**, then **5 0**

MAIL BOX ALERT

3 Press **START/SET**

MODE=OFF [▲▼]

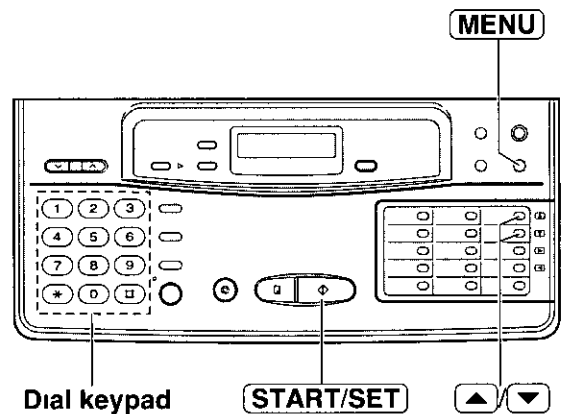
4 Press **▲** or **▼** to select "ON"

MODE=ON [▲▼]

•If this feature is not required, select "OFF"

5 Press **START/SET**

6 Press **MENU**



Signaling your pager that a voice message has been recorded

This feature allows your unit to call your pager automatically each time an incoming voice message is recorded. You can set the pager number for each memory (common, mailbox 1, 2 and 3). This feature is only effective with an automatic pager.

1 Press **MENU**

SYSTEM SET UP

2 For common pager alert, press **#**, then **6 0**

COMMON PAGER

For mailbox 1 pager alert, press **#**, then

6 1

MAIL BOX1 PAGER

For mailbox 2 pager alert, press **#**, then

6 2

MAIL BOX2 PAGER

For mailbox 3 pager alert, press **#**, then

6 3

MAIL BOX3 PAGER

3 Press **START/SET**

MODE=OFF [▲▼]

4 Press **▲** or **▼** to select "ON"

MODE=ON [▲▼]

▪ If this feature is not required, select "OFF"

5 Press **START/SET**

NO =

6 Enter your pager phone number. If necessary, press **REDIAL/PAUSE** twice. Contact your pager company regarding the proper pause time.

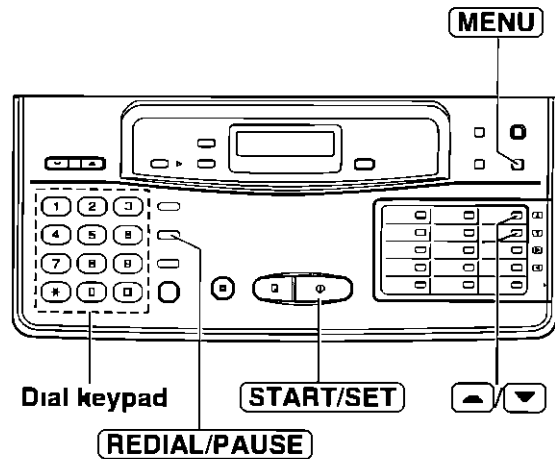
If your pager has the ability to display phone numbers, enter the number that you want to appear in the display.

Press **#** if required by your pager company.

7 Press **START/SET**

8 Press **MENU**

▪ When the pager beeps, retrieve the message using the remote operation (p. 55)



Note

- You may enter a total of 30 digits and/or pauses in step 6
- This feature can be turned on/off remotely from a touch tone phone (p. 59)

Remote operation from a touch tone phone

The following operations are available from a remote location with a touch tone telephone
Set the unit to the ANS/FAX mode before going out

Dial key	Remote command	Page	Dial key	Remote command	Page
1	Repeats a message	58	* 4	Erases a specific message	58
2	Skips a message	58	* 5	Erases all messages	58
4	New message playback	57	8 0	Changes to the TEL mode	59
5	All message playback	57	8 1	Turns on pager alert for incoming messages	59
6	Room monitor	58	8 2		
7	Re-records a greeting message	59	0	Skips the greeting message	59

Remote operation card

- You may cut out this remote operation card

Mailbox Remote Operation	Notice of Remote Operation
<p>■ Recording a message in a mailbox</p> <ol style="list-style-type: none"> 1 Call your unit 2 Press * and the mailbox no (1, 2 or 3) 3 Leave a message <p>■ Retrieving messages from a mailbox</p> <ol style="list-style-type: none"> 1 Call your unit 2 Press * and the mailbox no (1, 2 or 3) 3 Enter the mailbox password <input style="width: 30px;" type="text"/> <input style="width: 30px;" type="text"/> 4 Press the remote command key (refer to the reverse side) 	<ul style="list-style-type: none"> ● The remote operation is available only from a touch tone phone when the unit is in the ANS/FAX mode ● When the unit is in the TEL mode, call your unit and wait for 15 rings. The answering system will temporarily answer the line. Enter the remote operation ID during the greeting message. The unit will switch to the ANS/FAX mode. ● When you press any key, press firmly ● To send a document, press * * *. When a fax tone is heard, start transmission

Fold here

Programming the remote operation ID

The remote operation ID is used to access your answering device and listen to your messages in common memory

Choose any 3-digit number except a number using digits 0 or 7

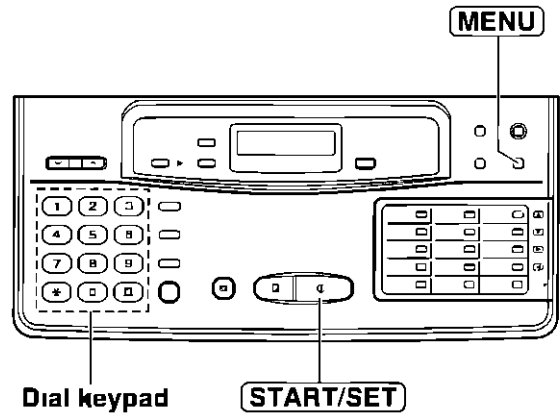
Make sure that the first 2-digits of the remote operation ID are different from the junk mail prohibitor ID (p 41) and the mailbox password (p 50)

- 1 Press **MENU**

SYSTEM SET UP
- 2 Press **□**, then **1 0**

REMOTE ANS ID
- 3 Press **START/SET**

ID=111
- 4 Enter the desired number
- 5 Press **START/SET**
- 6 Press **MENU**



Answering Device Remote Operation

- 1 Call your unit
- 2 Enter the remote operation ID **□□□** during the greeting message
- 3 Press the remote command key (refer to the right) within 4 seconds
 or
 Wait for 4 seconds All the recorded messages will be played back

Key	Remote Command
0	Skips the greeting message
1	Repeats a message
2	Skips a message
4	New message playback
5	All message playback
6	Room monitor
7	Re-records a greeting message
9	Stops re-recording of a greeting message
*4	Erases a specific message
*5	Erases all messages
8 0	Changes to the TEL mode
8 1	Pager alert for ANS—ON
8 2	Pager alert for ANS—OFF

Listening to messages in common memory

- 1 Call your unit
- 2 Press the remote operation ID during common greeting playback
 - A long beep and (a) short beep(s) will sound
The number of short beeps indicates the number of new recorded messages
Short beeps will sound up to 8 times even if 9 or more calls are recorded
- 3 Press **[4]** to listen to new recorded messages OR
Press **[5]** or wait for 4 seconds to listen to all of the recorded messages

Note

- If you hear 6 beep tones after playing back the messages, memory is full. Erase some or all of the messages

To listen to messages in a mailbox after playback

- 1 Press **[*]** and the desired mailbox number **[1]**, **[2]** or **[3]**
- 2 Press the mailbox password
- 3 Press the direct remote command **[4]** or **[5]** to play back messages

Listening to messages in a mailbox

- 1 Call your unit
- 2 Press **[*]** and the desired mailbox number (**[1]**, **[2]**, **[3]**) during common greeting playback
- 3 Enter the mailbox password during the personal greeting message
 - A long beep and (a) short beep(s) will sound
The number of short beeps indicates the number of new recorded messages
Short beeps will sound up to 8 times even if 9 or more calls are recorded
- 4 Press **[4]** to listen to new recorded messages OR
Press **[5]** or wait for 4 seconds to listen to all of the recorded messages

Note:

- If you hear 6 beep tones after playing back the messages, memory is full. Erase some or all of the messages

To listen to messages in another memory after playback:

- 1 Press **[*]**, and **[0]** (for common memory), or
press **[*]** and the other mailbox number **[1]**, **[2]** or **[3]**
- 2 If you selected common memory, press the remote operation ID,
or
If you selected a mailbox, press the mailbox password
- 3 Press the direct remote command **[4]** or **[5]** to play back messages

During playback

■ Repeating a message

Press **[1]** to start playing the previous message

■ Skipping a message

Press **[2]** to start playing the next message

Erasing messages from memory

■ Erasing a specific message from memory

Press **[*] [4]** when the message you want to erase is being played

- The unit will erase the message being played back
- A long beep followed by three short beeps will sound. Then the unit will continue with the next message

■ Erasing all messages from memory

You can erase all of the recorded messages in memory.
To erase all of the messages in a mailbox, you must first select a mailbox.

Press **[*] [5]**

- A long beep followed by three short beeps will sound
- The unit will erase all of the messages recorded in the selected memory

Note:

- The greeting messages will not be erased during this operation

Other remote operations

■ Monitoring the room

You can monitor the sound in the room where the unit is installed for about 30 seconds

1. Call your unit
2. Press your remote operation ID
OR
Press **[*]**, then enter the desired mailbox number (**[1]**, **[2]** or **[3]**). Then enter the mailbox password
3. Press **[6]** after hearing a beep
 - After 30 seconds are up, a beep sounds
 - To continue monitoring, press **[6]** again within 10 seconds

■ Recording a marker message

After playing back the recorded messages, you can leave an additional message

1. Wait for 3 beeps indicating the end of the remote operation
2. Wait about 10 seconds for 2 more beeps indicating that the unit is ready for recording
3. Leave your message

■ Re-recording greeting messages

You can change the contents of a greeting message from a remote location

1. Call your unit
2. **For the common greeting message:**
Enter your remote operation ID

For the mailbox greeting message.
Press **[*]** and the desired mailbox number (**[1]**, **[2]** or **[3]**) Then enter the mailbox password
3. Press **[7]** to start recording
 - A long beep will sound
4. Speak immediately after the long beep (up to 16 seconds)
 - If you pause for over 2 seconds while recording, the unit will beep and stop the greeting message recording Repeat from step 2 within 10 seconds
5. When finished, press **[9]**
 - The new greeting message will be played

■ Changing to the TEL mode

You can change the setting of the receive mode from ANS/FAX to TEL from a remote location

1. Call your unit
2. Enter your remote operation ID
OR
Press **[*]** and the desired mailbox number (**[1]**, **[2]** or **[3]**) Then enter the mailbox password
3. Press **[8][0]**

■ Turning on/off the pager alert

You can remotely turn on/off the pager alert for voice messages if the unit has programmed a pager number in advance (p 54)

1. Call your unit
2. **For the common pager alert,**
Enter the remote operation ID

For a mailbox pager alert;
Press **[*]** and the desired mailbox number (**[1]**, **[2]** or **[3]**), then enter the mailbox password
3. To turn on the pager alert, press **[8][1]**
To turn off the pager alert, press **[8][2]**

■ To skip the greeting message

Callers can record their messages without listening to the greeting message

After calling your unit, dial **[0]** during the greeting message playback

- The unit will skip the rest of the greeting message and start recording

Changing the display contrast

Use this feature to adjust the brightness of the display

The following choices are available

NORMAL (Pre-selected setting)

LIGHT: Used when the display contrast is too dark

DARKER: Used when the display contrast is too light

1 Press **MENU**

SYSTEM SET UP

2 Press **#**, then **3 9**

LCD CONTRAST

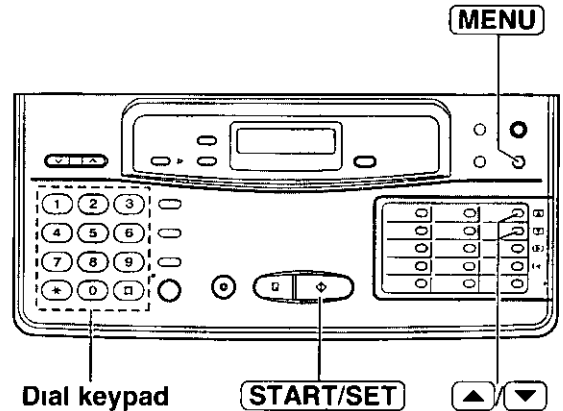
3 Press **START/SET**

MODE=NORMAL [▲▼]

4 Press ▲ or ▼ to select the desired mode

5 Press **START/SET**

6 Press **MENU**



Resetting the advanced features

Use this feature to return the advanced features (p 61) to their initial settings

1 Press **MENU**

SYSTEM SET UP

2 Press **#**, then **8 0**

SET DEFAULT

3 Press **START/SET**

RESET=NO [▲▼]

4 Press ▲ or ▼ to select "YES"

RESET=YES [▲▼]

5 Press **START/SET**

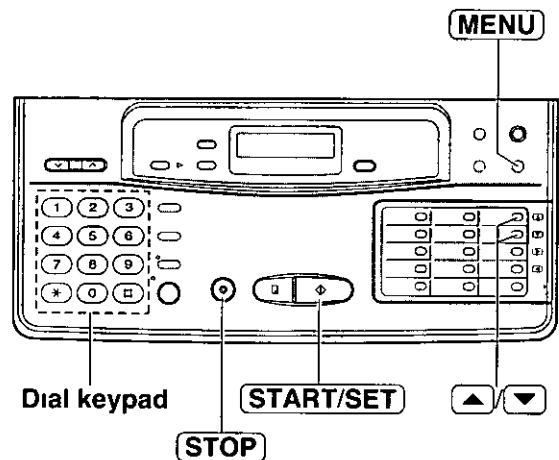
RESET OK?

•If this feature is not required, press **STOP**

6 Press **START/SET** again for confirmation

RESET COMPLETED

7 Press **MENU**



Summary of user programmable features =====

Basic features

Code	Feature	Selection	Initial setting	Page
#01	SET DATE & TIME	mm/dd/yy hh mm		14
#02	YOUR LOGO			14
#03	YOUR TELEPHONE NUMBER			16
#04	PRINT TRANSMISSION REPORT	ERROR, ON, OFF	OFF	63
#07	FAX RING COUNT	1, 2, 3, 4 rings	1 ring	24
#08	ANS/FAX RING COUNT	1, 2, 3, 4, TOLL SAVER, RINGER OFF	1 ring	25
#09	RECORDING TIME	VOX/1 MIN	VOX	26
#10	REMOTE ANS ID		111	56
#14	PC LINK	ON, OFF	ON	19

Advanced features

Code	Feature	Selection	Initial setting	Page
#21	LOGO POSITION	OUT, IN	OUT	39
#22	JOURNAL AUTO PRINT	ON, OFF	ON	63
#23	OVERSEAS MODE	ON, OFF	OFF	38
#24	JUNK MAIL PROHIBITOR	ON, OFF	OFF/ID=22	41
#25	DELAYED TRANSMISSION	ON, OFF	OFF	37
#31	RING DETECTION	OFF, A, B, C, D	OFF	42
#34	EXTENSION COPY			48
#35	COPY REDUCTION	92%, 72%, OFF	OFF	49
#36	RX REDUCTION	92%, 86%, 72%, OFF	92%	46
#39	LCD CONTRAST	NORMAL, LIGHT, DARKER	NORMAL	60
#41	REMOTE FAX ACTIVATION CODE		**	40
#42	MESSAGE ALERT	ON, OFF	OFF	28
#43	RECORDING TIME ALERT	ON, OFF	OFF	26
#44	RECEIVE ALERT	ON, OFF	ON	45
#50	MAIL BOX ALERT	ON, OFF	OFF	53
#51	BOX1 PASSWORD		555	50
#52	BOX2 PASSWORD		555	50
#53	BOX3 PASSWORD		555	50
#60	COMMON PAGER	ON, OFF	OFF	54
#61	MAIL BOX1 PAGER	ON, OFF	OFF	54
#62	MAIL BOX2 PAGER	ON, OFF	OFF	54
#63	MAIL BOX3 PAGER	ON, OFF	OFF	54
#70	FAX PAGER	ON, OFF	OFF	43
#80	SET DEFAULT	YES, NO	NO	60

Printing reports and lists

You can print out the following reports and lists from your unit

Feature list—provides you with the current settings of the basic and advanced programming features (p 61)

Telephone number list—provides you with the phone numbers and station names which are stored in automatic dialing. Phone number codes are shown below

P A pause has been entered

F A flash has been entered

[] A secret phone number has been entered (The telephone number is not printed)

Journal report—keeps records of fax transmissions and receptions. This report will be printed automatically after every 35 fax communications, but can also be printed manually. You can change the setting of the journal auto print feature (p 63)

Printer test list—allows you to check the print quality of your unit. If the test print has a dirty pattern or blurred points or lines, clean the thermal head (p 74)

Transmission report—provides you with a printed record of the fax transmission result (p 63)

How to print each report/list

1 Press **MENU** until the following is displayed

PRINT LIST

2 For the feature list, press **#**, then **1**

SETUP LIST

For the telephone number list, press **#**, then **3**

TEL NO LIST

For the journal report, press **#**, then **4**

JOURNAL REPORT

For the printer test list, press **#**, then **5**

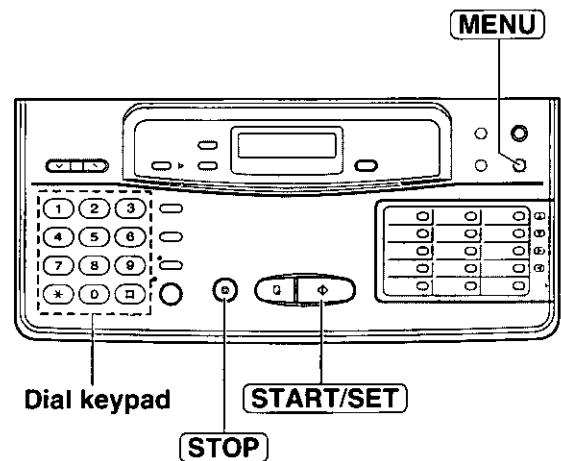
PRINTER TEST

3 Press **START/SET** to start printing

PRINTING

•To interrupt printing, press **STOP**

4 After printing, press **MENU**



Setting the transmission report printing

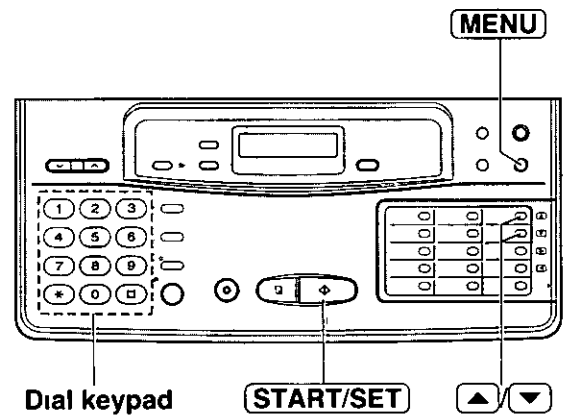
One of the following choices is available

ERROR: The transmission report will print out only when fax transmission fails

ON: The report will always print out, indicating whether fax transmission is successful or not

OFF: The report will not print (pre-selected setting)

- 1 Press **MENU**
SYSTEM SET UP
- 2 Press **#**, then **0 4**
TX-REPORT MODE
- 3 Press **START/SET**
MODE=OFF [▲▼]
- 4 Press ▲ or ▼ to select the desired mode
- 5 Press **START/SET**
- 6 Press **MENU**

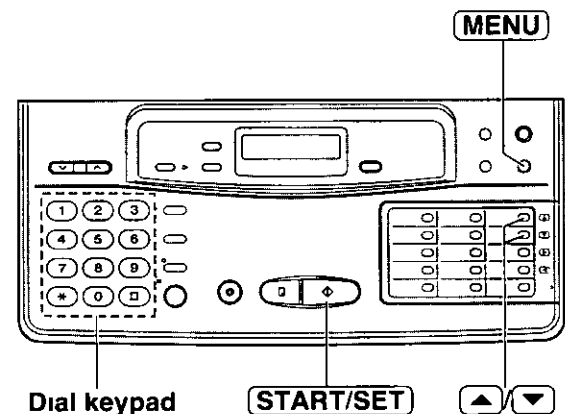


Setting the journal auto print

The unit will automatically print a journal report after every 35 fax communications. After printing, the journal report will still remain in memory and the oldest communication will be erased when a new communication occurs.

When this feature is deactivated, the unit will store the records of the last 35 fax communications, but the unit will not print the journal report automatically.

- 1 Press **MENU**
SYSTEM SET UP
- 2 Press **#**, then **2 2**
AUTO JOURNAL
- 3 Press **START/SET**
MODE=ON [▲▼]
- 4 Press ▲ or ▼ to select the desired mode
- 5 Press **START/SET**
- 6 Press **MENU**



Sample of journal report

JOURNAL									
Jan 25 1996 05 22PM									
NO	OTHER FACSIMILE	START TIME	USAGE TIME	MODE	PAGES	RESULT	+CODE		
01	1234567	Jan 21 02 14PM	00'25	TX	01	OK			
02	9998765	Jan 21 02 17PM	00'38	TX	02	OK			
03	2121444	Jan 21 02 18PM	00'28	RX	01	OK			
04	555556677	Jan 22 10 35AM	00'58	TX	03	COMMUNICATION ERROR	(43)		
05			01'50	TX	05	OK			
				RX	03	OK			

Communication result (see below)

Error code (for service personnel use only)

Sample of transmission report

XMT REPORT									
Jan 20 1996 01 19PM									
NO	OTHER FACSIMILE	START TIME	USAGE TIME	MODE	PAGES	RESULT	+CODE		
01	COMPANY ABC	Jan 20 01 18PM	00'51	TX	00	COMMUNICATION ERROR	(43)		

Communication result on the report

When a problem has occurred, one of the following messages will be printed on the transmission and journal reports

PRINTED MESSAGE	MEANING
COMMUNICATION ERROR	A transmission or reception error occurred Try again or check with the other party
DOCUMENT JAMMED	A document is jammed Remove the jammed document (p 73)
JUNKMAIL PROH REJECT	The junk mail prohibitor of your unit rejected fax reception (see page 41)
MEMORY FULL	The document was not received due to memory full
NO DOCUMENT	The document was not fed into the unit properly Try again
NO RESPONSE	The receiving unit was busy or ran out of recording paper Try again
PRESSED THE STOP KEY	The STOP button was pressed and fax communication was cancelled
OK	Fax communication was successful

Error messages on the display

If the unit detects a problem, the following messages will appear on the display

ERROR MESSAGE	CAUSE & REMEDY
CALL SERVICE	•There is something wrong with the unit Contact our service personnel (p 79)
CHECK CASSETTE	•The recording paper is jammed near the paper cassette Clear the jammed paper (p 72)
CHECK COVER	•The top cover is open Close it
CHECK DOCUMENT	•The document is not fed into the unit properly Reinsert the document and try again If misfeeding occurs frequently, clean the feeder rollers (p 74) If the problem remains, adjust the feeder pressure (p 73)
CHECK FILM	•The film is not inserted in the cartridge correctly Reinsert it correctly by referring to step 8 on page 76
CHECK MEMORY	•Memory (phone numbers, parameters, etc) has been erased Re-program
FAX IN MEMORY	•The unit has (a) document(s) in memory See the other message's instructions to print out the document(s) See page 44
FAX MEMORY FULL	•The memory is full of received documents due to a lack of recording paper, a recording paper jam, etc Install paper or clear the jammed paper
FILM EMPTY	•Film is empty Replace the film or film cartridge with a new one (p 75)
LOADING FILM	•The blue leader of the film was not wound completely or the unit is out of film Wait for a while
MESSAGE FULL	•There is no room left in memory to record a message Erase some or all of the messages (p 28, 53)
NO ANS GREETING	•A common greeting message has not been recorded Record the message (p 17)
NO RESPONSE	•The receiving unit is busy or ran out of recording paper Try again
OUT OF PAPER	•The unit is out of recording paper Install paper (p 9)
PAPER JAMMED	•The recording paper is jammed near the head unit Clear the jammed paper (p 71)
PC FAIL OR BUSY	•The fax function cannot be operated on the PC The RS232C cable is not connected correctly, or the software is not running on the PC
POLLING ERROR	•The other fax machine does not have a polling function Check with the other party
REDIAL TIME OUT	•The receiving unit is busy or ran out of recording paper Try again
REMOVE DOCUMENT	•The document is jammed Remove the jammed document (p 73) •Attempted to transmit a document longer than 600 mm (23 5/8") Press the STOP button and remove the document (p 73) Divide the document into two or more sheets and try again
TRANSMIT ERROR	•A transmission error occurred Try again
UNIT OVERHEATED	•The unit is too hot Let the unit cool down

Before requesting help

General

PROBLEM	CAUSE & REMEDY
I cannot make and receive calls.	●The power cord or telephone line cord is not connected. Confirm the connection (p. 13)
I cannot make calls.	●The dialing mode setting is wrong. Check the selector (p. 13)
The unit does not work.	●Disconnect the unit from the telephone line and connect to a known working phone. If the known working phone operates properly, call your service personnel to have the unit repaired. If the known working phone does not operate properly, consult with your telephone company.
The unit does not ring.	●The ringer volume is set to OFF. Raise it to a suitable level (p. 16)
The REDIAL/PAUSE button does not function properly.	●If this button is pressed during dialing, a pause will be inserted. If this button is pressed immediately after a dial tone is obtained, the last number dialed will be redialed.
While programming, I cannot enter the activation code or the prohibitor ID.	●The whole or part of the number is the same as another code or ID. Change the number (p. 40, 41, 50, 56)

Fax Transmission

PROBLEM	CAUSE & REMEDY
The other party complains that letters on their received document are distorted.	●If your line has special telephone services such as call waiting, the service may have been activated during the fax transmission. Connect the unit to a line that does not have such services. ●Another telephone connected to the same line is off hook. Hang up and try again.
The other party complains dirty patterns or black lines appear on their received documents.	●The glass or rollers are dirty. Clean them (p. 74)
I cannot make an international fax call.	●Use the overseas transmission mode (p. 38) ●Add two pauses at the end of the phone number (p. 35)

Fax Reception

PROBLEM	CAUSE & REMEDY
I cannot receive documents automatically	<ul style="list-style-type: none"> •The receive mode is set to TEL Set the receive mode to ANS/FAX or FAX •The time to answer the call may be too long Decrease the number of rings (p 24, 25) •The greeting message may be too long Shorten the message or ask the other party to press *-* and then start transmission •The junk mail prohibitor is set to ON (p 41)
Recording image is faint.	<ul style="list-style-type: none"> •The sender transmitted a faint document Request them to transmit a clearer copy of the document •The thermal head is dirty Clean it (p 74)
A blank sheet is ejected after the received documents are printed out	<ul style="list-style-type: none"> •The receiving reduction rate is not programmed correctly Program the proper reduction rate (p 46)

Answering Device

PROBLEM	CAUSE & REMEDY
No voice messages have been recorded in the ANS/FAX mode.	<ul style="list-style-type: none"> •The memory is full Erase some or all of the messages (p 28, 53)
I cannot retrieve recorded messages from a remote phone	<ul style="list-style-type: none"> •Make sure that you use the remote operation ID correctly (p 56) When you dial, press the buttons firmly
Messages in a mailbox do not play back.	<ul style="list-style-type: none"> •You have programmed a mailbox password Enter the password and then try again (p 50)

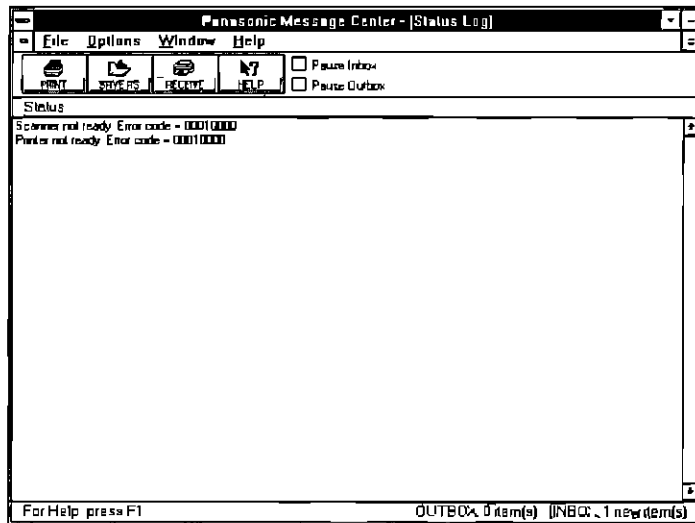
Copying

PROBLEM	CAUSE & REMEDY
Dirty patterns or black lines appear on the copied documents.	<ul style="list-style-type: none"> •The glass or rollers are dirty Clean them (p 74)
The copied image is distorted.	<ul style="list-style-type: none"> •The thermal head is dirty Clean it (p 74)
The document is not copied properly	<ul style="list-style-type: none"> •The film is not inserted correctly Insert it correctly (p 75)
A paper jam occurs during copying	<ul style="list-style-type: none"> •The film is not inserted correctly Insert it correctly (p 75)

Error codes on your PC when using Multi Function Center software

If an error occurred when functioning the printer or scanner using Multi Function Center software on your PC, the error code is shown in the 8 digits on the Status Log window as follows

The meaning of each digit of the error code is different according to the function you are using. If an error occurred using the printer function, see below. When using the scanner function, see page 69.



■ Error code for "Printer not ready" status



Paper

When this digit is "1", the unit ran out of paper. Install paper.

Paper jam near the paper cassette

When this digit is "1", the recording paper jammed near the paper cassette. Clear the jammed paper (p. 72).

Paper jam near the head unit

When this digit is "1", the recording paper jammed near the head unit. Clear the jammed paper (p. 71).

Cover open

When this digit is "1", the top cover is open. Close it.

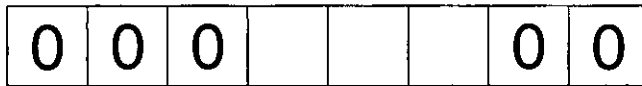
Film

When this digit is "1", film is empty or the film is not inserted in the cartridge correctly. Replace the film or film cartridge with a new one (p. 75) or reinsert the film correctly by referring to step 8 on page 76.

Unit overheat

When this digit is "1", the unit is overheated. Leave it to cool down.

■ Error code for “Scanner not ready.” status



Document feed:

When this digit is “1”, the document is not fed into the unit properly. Reinsert the document.

Document jam.

When this digit is “1”, the document is jammed. Remove the jammed document (p. 73).

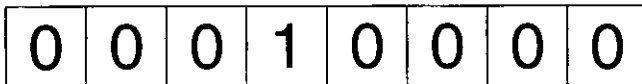
Cover open

When this digit is “1”, the top cover is open. Close it.

For example:

If “1” appears in the 8 digit code, see the corresponding instructions and solve the problem.

e.g. When “Scanner not ready Error code=00010000” is displayed on the Status Log window.



In this case, see the corresponding instructions shown in the Error code for “Scanner not ready” status on this page. The problem is the top cover is open. Close the top cover.

When “Printer not ready Error code” is displayed on the Status Log window, see the corresponding instructions shown in the Error code for “Printer not ready” status on page 68.

If a power failure occurs... --- ---

When a power failure occurs, note the following

- This unit does not function during a power failure
- The memory contents will not be erased
- Transmission and reception will be interrupted. Check the transaction by printing a journal report
- If fax documents are stored in memory, they will be lost. When power is restored, a power-down report will be printed out stating the contents in memory that have been erased
- If delayed transmission is set and the programmed start time has passed during a power failure, transmission will be attempted soon after power is restored

Power-down report ---

The power-down report will be automatically printed out after power is restored
The report will not be printed out when there are no documents stored in memory

Sample of the power-down report

<u>POWER DOWN REPORT</u>				
POWER DOWN AT Jan 05 1996 04 30AM				
RESTARTED AT Jan 05 1996 04 31AM				
<< WARNING >> CONTENTS HAVE BEEN CLEARED DUE TO POWER DOWN FOR ADDITIONAL INFORMATION PLEASE SEE THE JOURNAL REPORT				
NO	OTHER FACSIMILE	MODE	PAGES	FUNCTION
01	<FAX # NOT AVAIL >	RM	01	MEMORY RECEIVE

If a problem occurs during reception --- ---

If a problem occurs during reception, the unit will stop printing. When the problem is resolved, the unit will print out a print error report to let you know which page of data was erased. If there is a continuation of documents, the unit will print out from the next page.

Sample of the print error report

<u>PRINT ERROR REPORT</u>						
Jan 11 1996 09 46AM						
<< WARNING >> CONTENTS HAVE BEEN CLEARED WITHOUT PRINTING OUT						
NO	OTHER FACSIMILE	START TIME	USAGE TIME	MODE	PAGE	
01	092 431 2111	Jan 11 09 39AM	03'17	RM	01	

Cleared page

Clearing a recording paper jam

If a recording paper jams, the display will show one of the two messages below. Remove the jammed recording paper following either message.

PAPER JAMMED

A recording paper jammed near the head unit. See below.

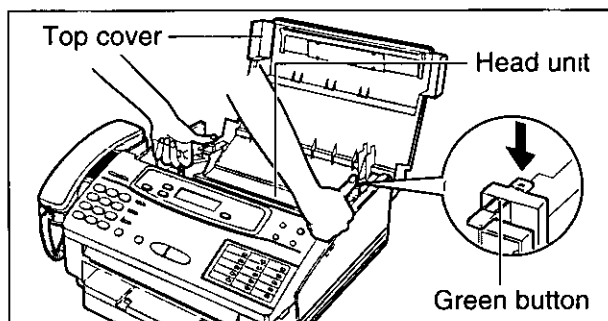
CHECK CASSETTE

A recording paper jammed near the paper cassette. See page 72.

When paper has jammed near the head unit

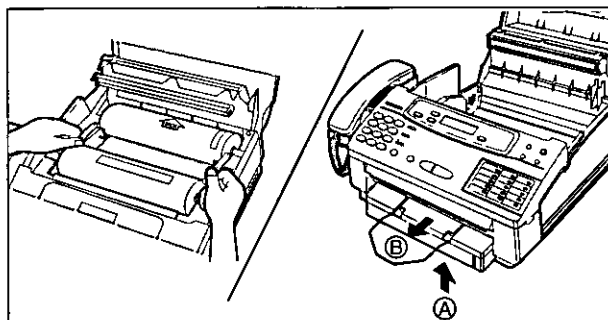
1 Open the top cover

2 Press both green buttons marked "PUSH" and lift up the head unit



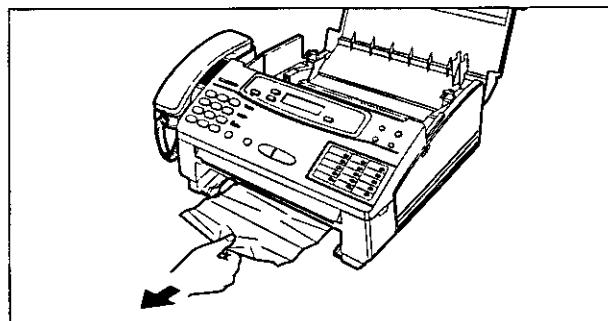
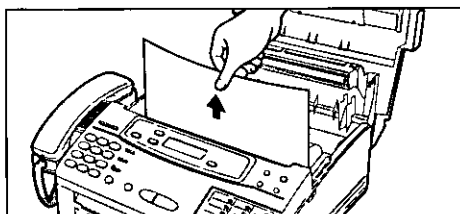
3 Remove the film cartridge

4 Remove the paper cassette by (A) slightly lifting and (B) pulling it out of the unit



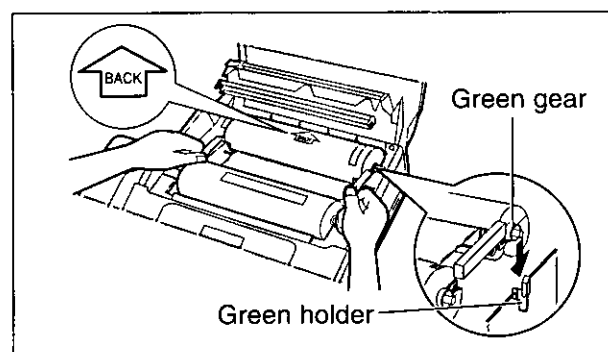
5 Remove the jammed recording paper

- If the jammed paper cannot be removed as shown in the right illustration, then remove it as shown below.

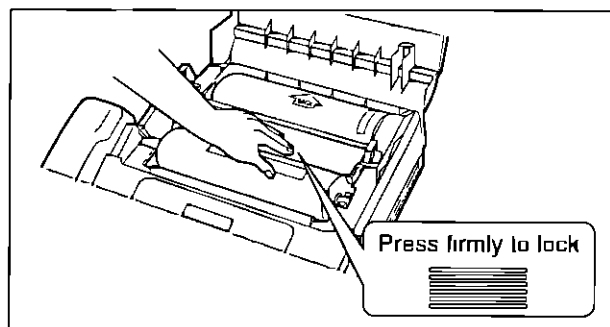


6 Place the "BACK" side of the cartridge into the unit by inserting the pins of the green gears into the green holders. Then lower the front of the cartridge into place.

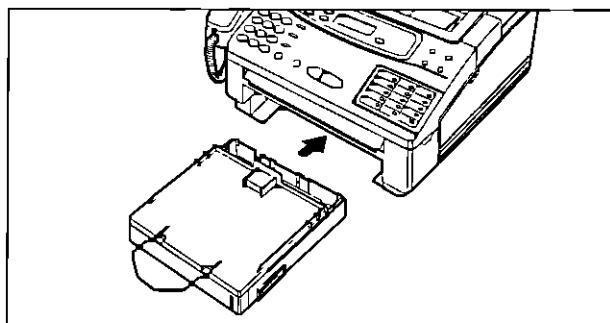
- If the film is slack, tighten it by winding the gears.



- 7** Press the head unit down firmly until it clicks into place
- 8** Close the top cover securely by pushing down on both sides



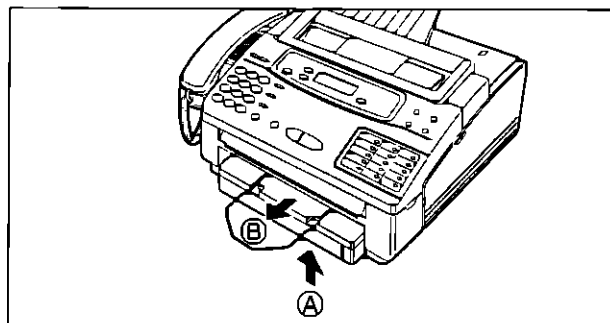
- 9** Open the paper cassette cover, remove the paper, press down the silver plate until it is locked under the tab and insert the paper into the paper cassette (see steps 2–6 on pages 9 and 10 for details)



- 10** Insert the paper cassette into the unit until it clicks into place

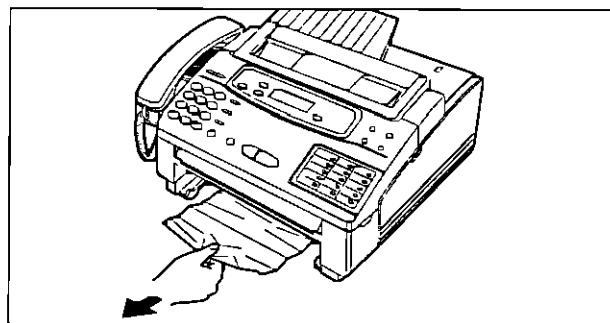
When paper has jammed near the paper cassette

- 1** Remove the paper cassette by (A) slightly lifting and (B) pulling it out of the unit



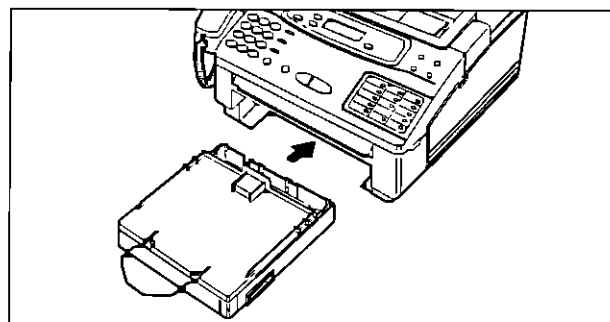
- 2** Reach into the paper cassette opening and remove the jammed recording paper

- When the jammed paper cannot be removed easily, open the top cover and head unit, and remove the jammed paper. Do not pull the jammed paper forcibly, or torn pieces of paper may remain in the unit



- 3** Open the paper cassette cover, remove the paper, press down on the silver plate until it is locked under the tab and insert the paper into the paper cassette (see steps 2–6 on pages 9 and 10 for details)

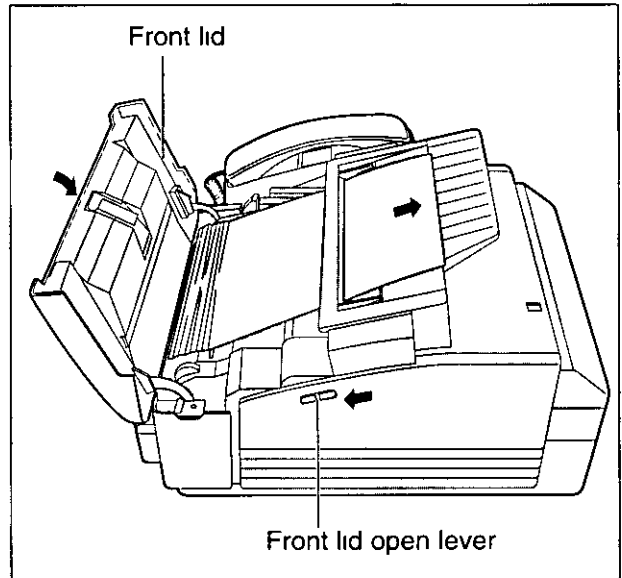
- 4** Insert the paper cassette into the unit until it clicks into place



Clearing a document jam

If the unit does not release an original document during feeding, remove it as shown below

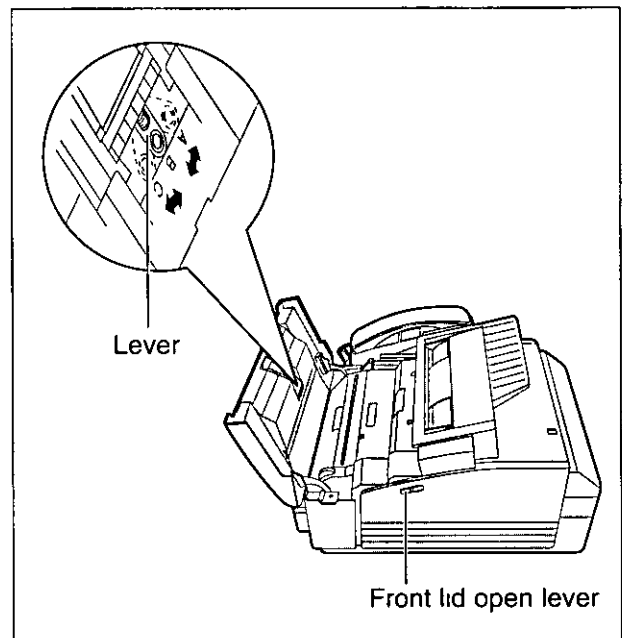
- 1** Slide the front lid open lever towards the front to open the front lid
- 2** Remove the jammed document carefully
- 3** Close the lid securely by pushing down on both sides



Adjusting the feeder pressure

If misfeeding of documents occurs frequently, adjust the feeder pressure as shown below

- 1** Slide the front lid open lever towards the front to open the front lid
- 2** Shift the position of the lever by using an instrument with a pointed end, like a clip or ball-point pen
 - Position A Select this when documents do not feed
 - Position B Standard position (pre-selected)
 - Position C Select this when documents multiple feed
- 3** Close the front lid securely by pushing down on both sides

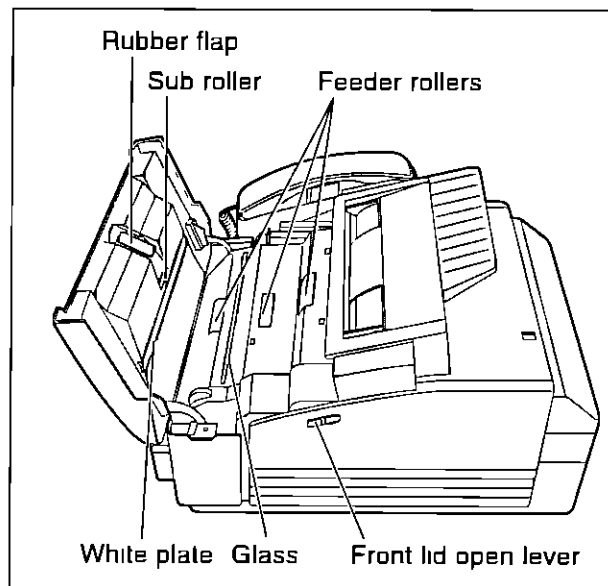


Cleaning the inside of the unit

Cleaning the document feeder unit

If misfeeding occurs frequently or dirty patterns or black bands appear on a copied or transmitted document, clean the feeder rollers, sub roller, rubber flap, white plate and glass

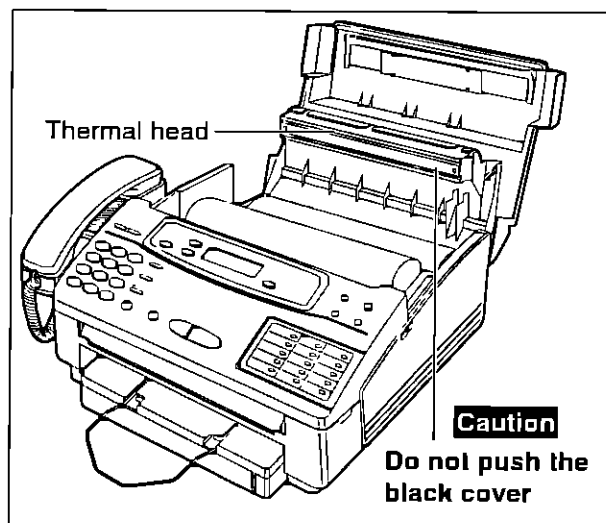
- 1** Disconnect the power cord and the telephone line cord
- 2** Slide the front lid open lever towards the front to open the front lid
- 3** Clean the feeder rollers and sub roller with a cloth moistened with isopropyl rubbing alcohol, and let them dry thoroughly
- 4** Clean the rubber flap with a cotton swab moistened with isopropyl rubbing alcohol, and let it dry thoroughly
- 5** Clean the white plate and the glass with a dry soft cloth
- 6** Close the lid securely by pushing down on both sides
- 7** Connect the power cord and telephone line cord



Cleaning the thermal head

If dirty patterns or black bands appear on a copied, received or printed document, clean the thermal head

- 1** Disconnect the power cord and the telephone line cord
- 2** Open the top cover
- 3** Press the green button on the right marked "PUSH" and lift up the head unit
- 4** Clean the thermal head with a cloth moistened with isopropyl rubbing alcohol, and let dry thoroughly
- 5** Press the head unit down firmly until it clicks into place
- 6** Close the top cover securely by pushing down on both sides
- 7** Connect the power cord and telephone line cord



Caution

- To prevent a malfunction due to static electricity, do not use a dry cloth and do not touch the thermal head directly with your finger

Replacing the film or film cartridge

When the unit detects the end of the film, the following message will be displayed

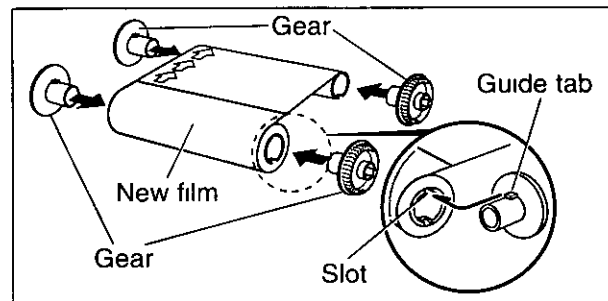
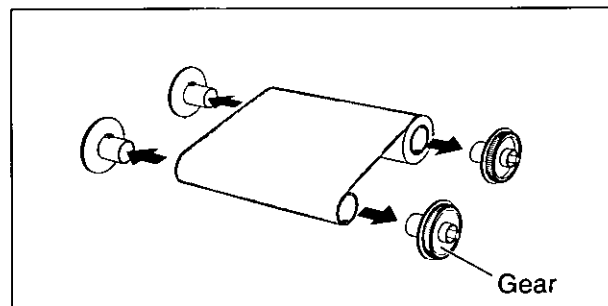
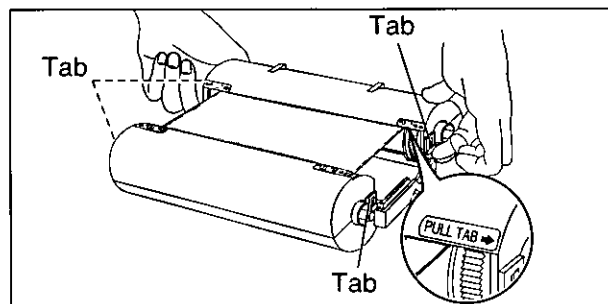
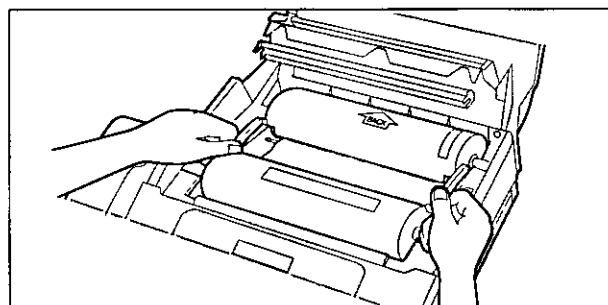
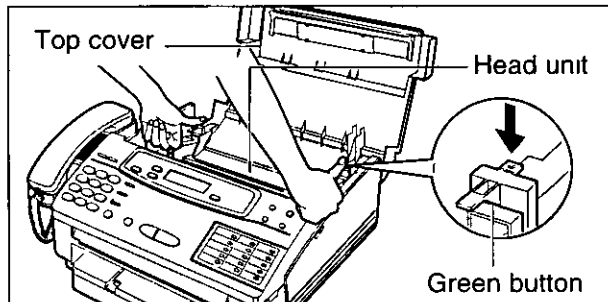
FILM EMPTY

Replace the film or film cartridge with a new one To order replacement parts, see page 80

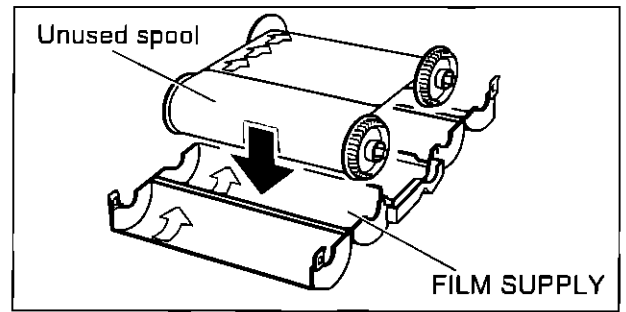
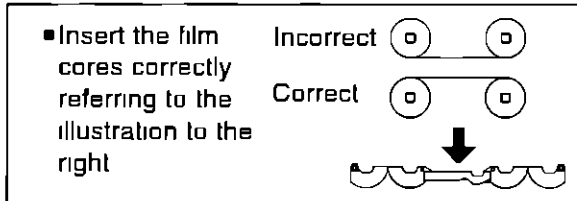
- 1 Open the top cover
- 2 Press both green buttons marked "PUSH" and lift up the head unit
- 3 Remove the film cartridge
 - If you purchased a film cartridge (Model no KX-FA132) for replacement, skip to step 11
 - To replace only the film, go to step 4
- 4 Turn over the cartridge so that the "PULL TAB" mark is facing up
- 5 Unlock the four tabs of the cartridge, open the cover of the cartridge and remove the used film
- 6 Remove the four gears from the used film cores by pulling them out
- 7 Insert the four gears into the new film cores so that the guide tab of each gear fits into the slot of the film core

Caution:

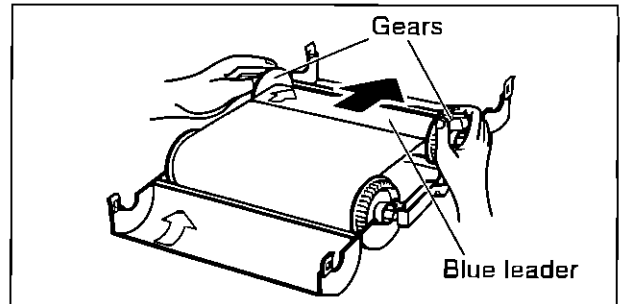
- The film is not reusable You can order new film for replacement through your nearest Panasonic dealer



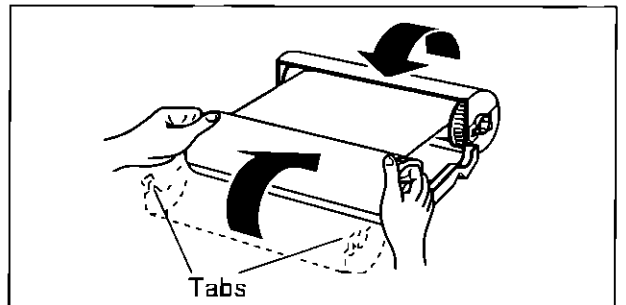
- 8** Insert the film into the cartridge so that the arrow on the open cartridge points in the same direction as the arrows on the film
- If you insert a film which is partially used, insert the unused spool of the film in the "FILM SUPPLY" mark side of the cartridge



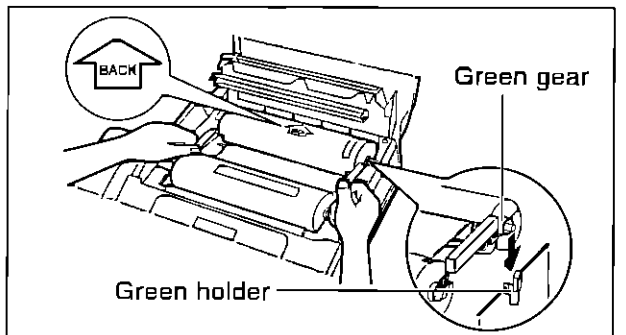
- 9** Roll the blue leader of the film by winding the core gears until the leader is no longer visible



- 10** Close the covers of the cartridge by locking the four tabs



- 11** Turn over the cartridge and referring to the illustration on the right, place the "BACK" side of the cartridge into the unit by inserting the side pins of the green gears into the green holders. Then lower the front of the cartridge into place



- 12** Press the head unit down firmly until it clicks into place

- 13** Close the top cover securely by pushing down on both sides

- If the blue leader of the film is not wound completely, the unit will automatically advance it and the following message will be displayed

LOADING FILM

- If the following message is displayed, the film is not correctly inserted in the cartridge

CHECK FILM

Reinsert it correctly by referring to step 8 above

FCC information

If required by the telephone company, inform them of the following

- FCC Registration No (found on the rear side of the unit)
- Ringer Equivalence No (found on the rear side of the unit)
- The particular telephone line to which the equipment is connected

This unit must not be connected to a coin operated line. If you are on a party line, check with your local telephone company.

Ringer Equivalence Number (REN):

This REN is useful in determining the quantity of devices you may connect to your telephone line and still have all of those devices ring when your telephone number is called. In most but not all areas, the sum of the REN's of all devices connected to one line should not exceed five (5.0). To be certain of the number of devices you may connect to your line, as determined by the REN, you should contact your local telephone company to determine the maximum REN for your calling area.

In the event that terminal equipment causes harm to the telephone network, the telephone company should notify the customer, if possible, that service may be stopped. However, where prior notice is impractical, the company may temporarily cease service providing that they

- a) Promptly notify the customer
- b) Give the customer an opportunity to correct the problem with their equipment
- c) Inform the customer of the right to bring a complaint to the Federal Communication Commission pursuant to procedures set out in FCC Rules and Regulations Subpart E of Part 68

The Telephone Company may make changes in its communications facilities, equipment operations, or procedures where such action is reasonably required in the operation of its business and is not inconsistent with the rules and regulations in FCC Part 68. If such changes can be reasonably expected to render any customer terminal equipment incompatible with telephone company communications facilities, or require modification or

alteration of such terminal equipment, or otherwise materially affect its use or performance, the customer shall be given adequate notice in writing, to allow the customer an opportunity to maintain uninterrupted service.

CAUTION

Any changes or modifications not expressly approved by the party responsible for compliance could void the user's authority to operate this device.

When programming emergency numbers and/or making test calls to emergency numbers

1. Remain on the line and briefly explain to the dispatcher the reason for the call before hanging up.
2. Perform such activities in the off-peak hours, such as early morning or late evenings.

This telephone provides magnetic coupling to hearing aids.

NOTE

This equipment has been tested and found to comply with the limits for a Class B digital device, pursuant to Part 15 of the FCC Rules. These limits are designed to provide reasonable protection against harmful interference in a residential installation. This equipment generates, uses, and can radiate radio frequency energy and, if not installed and used in accordance with the instructions, may cause harmful interference to radio communications. However, there is no guarantee that interference will not occur in a particular installation. If this equipment does cause harmful interference to radio or television reception, which can be determined by turning the equipment off and on, the user is encouraged to try to correct the interference by one or more of the following measures:

- Reorient or relocate the receiving antenna
- Increase the separation between the equipment and receiver
- Connect the equipment into an outlet on a circuit different from that to which the receiver is connected
- Consult the dealer or an experienced radio/TV technician for help

**Matsushita Consumer Electronics Company,
Division of Matsushita Electric Corporation of America**
One Panasonic Way, Secaucus,
New Jersey 07094

Panasonic Sales Company
Division of Matsushita Electric of
Puerto Rico, Inc
Ave 65 de Infanteria, Km 9 5, San Gabriel
Industrial Park, Carolina, Puerto Rico 00985

PANASONIC Facsimile Products Limited Warranty

Matsushita Consumer Electronics Company or Panasonic Sales Company (collectively referred to as "the warrantor"), will repair this product with new or refurbished parts, free of charge, in the USA or Puerto Rico for one (1) year from the date of original purchase in the event of a defect in materials or workmanship

Batteries (when applicable)—New rechargeable batteries in exchange for defective rechargeable batteries for ten (10) days from the date of original purchase. Non-rechargeable batteries are not warranted.

Carry-in or mail-in service in the USA or Puerto Rico can be obtained during the warranty period by contacting a Matsushita Services Company (MSC) Factory Servicenter listed in the Servicenter Directory. Or call, toll free, 1-800-HELP FAX (1-800-435-7329) to locate a MSC Factory Servicenter. Carry-in or mail-in service in Puerto Rico can be obtained during the warranty period by calling the Panasonic Sales Company telephone number listed in the Servicenter Directory.

This warranty is extended only to the original purchaser. A purchase receipt or other proof of date of original purchase will be required before warranty service is rendered.

This warranty only covers failures due to defects in material and workmanship which occur during normal use and (when applicable) does not cover the print and ink cartridge, the toner cartridge and drum unit or the film cartridge. The warranty does not cover damages which occurred in shipment, or failures which are caused by products not supplied by the warrantor, or failures which result from accident, misuse, abuse, neglect, mishandling, faulty installation, misapplication, set-up adjustments, improper operation or maintenance, alteration, modification, line power surge, improper voltage supply, lightning damage, signal reception problems, commercial use such as hotel, office, restaurant, or other business or rental use of the product, or serviced by anyone other than a MSC Factory Servicenter or a MSC authorized Servicenter, or damage that is attributable to acts of God.

LIMITS AND EXCLUSIONS

There are no express warranties except as listed above.

THE WARRANTOR SHALL NOT BE LIABLE FOR INCIDENTAL OR CONSEQUENTIAL DAMAGES RESULTING FROM THE USE OF THIS PRODUCT, OR ARISING OUT OF ANY BREACH OF THIS WARRANTY. ALL EXPRESS AND IMPLIED WARRANTIES, INCLUDING THE WARRANTIES OF MERCHANTABILITY, ARE LIMITED TO THE APPLICABLE WARRANTY PERIOD SET FORTH ABOVE.

Some states do not allow the exclusion or limitation of incidental or consequential damages, or limitations on how long an implied warranty lasts, so the above exclusions or limitations may not apply to you.

This warranty gives you specific legal rights and you may also have other rights which vary from state to state. If a problem with this product develops during or after the warranty period, you may contact your dealer or Servicenter. If the problem is not handled to your satisfaction, then write to the Customer Satisfaction Center at the company address indicated above.

Service center directory

OPERATION ASSISTANCE • FAX ADVANTAGE PROGRAM

DIAL TOLL FREE • 1-800-HELP-FAX (9 00am-8 00pm Monday-Friday, EST)

PRODUCT INFORMATION • LITERATURE REQUESTS • DEALER LOCATIONS

Customer Satisfaction Center 2F-3, One Panasonic Way, Secaucus, NJ 07094 (Headquarters)
201-348-9090 (9 00am-8 00pm Monday-Friday, EST)

ACCESSORY PURCHASES

1-800-332 5368 (Consumer orders only)

Matsushita Services Company Accessory Order Office, 20421-84th Avenue South Kent WA 98032

(6 00am-6 00pm Monday-Friday, 6 00am-10 30am Saturday, PST)

(Visa, Mastercard, Discover card American Express Check)

AUTHORIZED SERVICENTERS

CALIFORNIA

6550 Katella Avenue
Cypress, CA 90630
Phone (714) 373-7425
Fax (714) 894-8534

800 Dubuque Avenue
S San Francisco,
CA 94080
Phone (415) 871-6373
Fax (415) 871-6840

20201 Sherman Way
Suite 102
Canoga Park, CA 91306
Phone (818) 709-1775
Fax (818) 709-2165

3878 Ruffin Road
Suite A
San Diego, CA 92123
Phone (619) 560-9200
Fax (619) 560-1831

COLORADO

1640 South Abilene Suite D
Aurora, CO 80012
Phone (303) 752-2024
Fax (303) 752-0610

FLORIDA

3700 North 29th Avenue
Suite 102
Hollywood, FL 33020
Phone (954) 925-2880
Fax (954) 925-5224

4710 Eisenhower
Boulevard Suite A1
Tampa FL 33634
Phone (813) 884-4746
Fax (813) 886-4564

GEORGIA

8655 Rosewell Road
Suite 100
Atlanta, GA 30350
Phone (770) 518-6301
Fax (770) 518-6306

HAWAII

99 859 Iwaiwa Street
Aiea Hawaii 96701
Phone (808) 488-1996
Fax (808) 486-4369

ILLINOIS

* 1703 North Randall Road
Elgin, IL 60123
"12 30 to 4 30, Mon-Fri"
Phone (847) 468-5464
Fax (847) 468-5465

9060 Golf Road
Niles, IL 60714
Phone (847) 608-1010
Fax (847) 299 1710

MARYLAND

Sulphur Springs
Business Park
1638 Sulphur Springs Road
Baltimore MD 21227
Phone (410) 242-2607
Fax (410) 247-3047

MASSACHUSETTS

60 Glacier Drive, Suite G
Westwood, MA 02090
Phone (617) 329-4280
Fax (617) 329-0586

*pick-up/drop-off only

MICHIGAN

37048 Van Dyke Avenue
Sterling Heights, MI 48312
Phone (810) 939 2060
Fax (810) 939-2638

MINNESOTA

7850-12th Avenue South
Airport Business Center
Bloomington, MN 55425
Phone (612) 854-8624
Fax (612) 854-2089

OHIO

2236 Waycross Road
Cincinnati, OH 45240
Phone (513) 851-4180
Fax (513) 851-8443

PENNSYLVANIA

2221 Cabot Boulevard West
Suite B
Langhorne, PA 19047
Phone (215) 741-0661
Fax (215) 741-0521

Chartiers Valley
Shopping Center
1025 Washington Pike
Bridgeville, PA 15017
Phone (412) 257-4522
Fax (412) 257-4650

TENNESSEE

919-8th Avenue South
Nashville, TN 37203
Phone (615) 244-4434
Fax (615) 244-6713

TEXAS

7482 Harwin Drive
Houston, TX 77036
Phone (713) 781-1528
Fax (713) 781-0643

13615 Welch Road Suite 101
Farmers Branch TX 75244
Phone (214) 385-1975
Fax (214) 960-7626

WASHINGTON

20425 84th Avenue South
Kent, WA 98032
Phone (206) 872 7922
Fax (206) 872 0918

Service in Puerto Rico

Matsushita Electric
of Puerto Rico, Inc
Panasonic Sales Company/
Factory Servicer

Ave 65 de Infantena, Km 9 5
San Gabriel Industrial Park
Carolina Puerto Rico 00985
Phone (809) 750-4300
Fax (809) 768-2910

REPAIR INQUIRIES

Regional Customer Care Department

EAST (PCE)

2221 Cabot Boulevard West
Suite A
Langhorne, PA 19047
Phone (215) 741-0676
Fax (215) 750-6492

Covers

CT, DE, ME, MD, MA, NH, NJ,
NY PA RI VT VA, DC, WV

EAST (PCE)

1225 Northbrook Parkway
Suite 2 390
Suwanee GA 30174
Phone (404) 338-6860
Fax (404) 338-6548

Covers

AL, FL, GA, MS, NC, SC, TN

CENTRAL (PCC)

1707 North Randall Road
Elgin IL 60123
Phone (847) 468-5530
Fax (847) 468-5528

Covers

AR, IL, IN IA, KS, KY, LA, MI,
MN, MO, NE ND OK SD TX,
WI OH

WEST (PCW)

6550 Katella Avenue
Cypress, CA 90630
Phone (714) 373-7440
Fax (714) 373-7447

Covers

AK, AZ CA, CO, ID, MT, NV,
NM, OR, UT, WA, WY, HI

PARTS DISTRIBUTION LOCATIONS

To locate parts distributors in your area (within the USA)
DIAL TOLL FREE 1-800-545-2672 (24 hours a day, 7 days a week)

(960607)

Information for users

For product service

- Service centers are listed on page 79
- Call toll free 1-800-545-2672 for the location of an authorized service center

When you ship the product

- Carefully pack your unit, preferably in the original carton
- Attach a letter, detailing the symptom or problem, to the outside of the carton
- Send the unit to an authorized service center, prepaid and adequately insured
- Do not send your unit to the Matsushita Consumer Electronics Company or to any executive or regional sales offices. These locations do not repair consumer products

Accessory order information

Use the following for replacement. For accessory order, call toll free 1-800-332-5368.
Problems will occur if other brands of film are used.

Model No.	Description	Comment
KX-FA132	Film cartridge	1 cartridge & 1 film 216 mm×200 m (8½"×656') roll
KX-FA133	Replacement film (1 set)	216 mm×200 m (8½"×656') roll
KX-FA134	Replacement film (2 sets)	216 mm×200 m (8½"×656') roll

Specifications

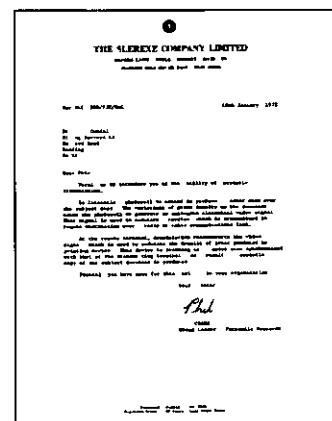
■ General

1. Applicable Lines:	Public Switched Telephone Network
2. Document Size:	Max 216 mm (8½") in width Max 600 mm (23⅝") in length
3. Effective Scanning Width:	208 mm (8⅜")
4. Recording Paper Size:	Letter 216 × 279 mm (8½" × 11") Legal 216 × 356 mm (8½" × 14")
5. Effective Printing Width:	208 mm (8⅜")
6. Transmission Time:	Approx 15 sec /page* (Original mode) Approx 30 sec /page (G3 Normal mode)
7. Memory Capacity:	Approx 28 pages of document memory**
8. Scanning Density:	Horizontal 8 pels/mm (203 pels/inch) Vertical 3.85 lines/mm (98 lines/inch)—Standard mode 7.7 lines/mm (196 lines/inch)—Fine/Halftone mode 15.4 lines/mm (392 lines/inch)—Superfine mode
9. Halftone Level:	64-level
10. Scanner Type:	CCD Image Sensor
11. Printer Type:	Thermal Transfer
12. Data Compression System:	Modified Huffman (MH), Modified READ (MR)
13. Modem Speed:	9600/7200/4800/2400 bps, Automatic Fallback
14. Operating Environment:	5–35°C (41–95°F), 20–80 % RH (Relative Humidity)
15. Dimensions (H × W × D):	237 × 420 × 389 mm (9⅝" × 16⅞" × 15⅝")
16. Mass (Weight):	Approx 8.3 kg (18.3 lb)
17. Power Consumption:	Standby Approx 5 W Transmission Approx 17 W Reception Approx 40 W Copy Approx 50 W Maximum Approx 140 W
18. Power Supply:	120 V AC, 60 Hz (This unit will not function at 50 Hz)
19. Total Recording Time:	Approx 15 minutes (including the greeting message) Recording time may be reduced by caller side background noise

*Transmission speed depends upon the contents of the pages, resolution, telephone line conditions and capability of receiving unit. 15 second speed based upon CCITT No. 1 Test Chart

**350 KB memory. Actual number of pages depends upon the contents of the pages and the resolution. 28 page capacity based upon CCITT No. 1 Test Chart

CCITT No. 1 Test Chart

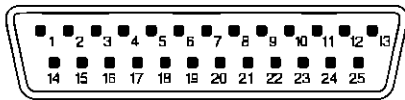


Note:

- Any details given in these instructions are subject to change without notice
- The pictures and illustrations in these instructions may vary slightly from the actual product

■ Interface pin

The signals are assigned to the interface pins of the KX-F1150 as follows



Item	Signal Name	Pin No D-SUB 25 pin	Signal Direction	Function
Transmitted data	TD	2	DTE→DCE	Used for transmitted data
Received data	RD	3	DTE←DCE	Used for received data
Request to send	RTS	4	DTE→DCE	Signal for data transmission request from your PC (DTE) to the modem (DCE) Also used for flow control
Clear to send	CTS	5	DTE←DCE	Signal for the modem to permit data transmission from your PC (DTE) to the modem (DCE) Also used for flow control
Data set ready	DSR	6	DTE←DCE	Signal which shows the status when the modem is available for transmission and reception
Signal GND	SG	7	DTE↔DCE	Signal ground
Carrier detect	CD	8	DTE←DCE	Carrier detect signal
Data terminal ready	DTR	20	DTE→DCE	Signal which shows the status when your PC is available for communication
Ring indicator	RI	22	DTE←DCE	Sends the signal according to the request signal
GND	FG	1	DTE↔DCE	Frame ground

Speed dialer list

Station No	Name/Phone No	Station No	Name/Phone No	Station No	Name/Phone No
00		34		68	
01		35		69	
02		36		70	
03		37		71	
04		38		72	
05		39		73	
06		40		74	
07		41		75	
08		42		76	
09		43		77	
10		44		78	
11		45		79	
12		46		80	
13		47		81	
14		48		82	
15		49		83	
16		50		84	
17		51		85	
18		52		86	
19		53		87	
20		54		88	
21		55		89	
22		56		90	
23		57		91	
24		58		92	
25		59		93	
26		60		94	
27		61		95	
28		62		96	
29		63		97	
30		64		98	
31		65		99	
32		66			
33		67			

Speed dialer list

Station No	Name/Phone No	Station No	Name/Phone No	Station No	Name/Phone No
00		34		68	
01		35		69	
02		36		70	
03		37		71	
04		38		72	
05		39		73	
06		40		74	
07		41		75	
08		42		76	
09		43		77	
10		44		78	
11		45		79	
12		46		80	
13		47		81	
14		48		82	
15		49		83	
16		50		84	
17		51		85	
18		52		86	
19		53		87	
20		54		88	
21		55		89	
22		56		90	
23		57		91	
24		58		92	
25		59		93	
26		60		94	
27		61		95	
28		62		96	
29		63		97	
30		64		98	
31		65		99	
32		66			
33		67			

Index

- A** ALL MESSAGES button27
ANS/FAX mode18, 25
ANS/FAX ring count25
Answering device volume16
Automatic dialing31, 32
- C** CHECK button17, 51
Cleaning74
COPY button30, 48
Copy reduction mode49
- D** Date and time14
Delayed transmission37
DELETE key15
Dialing mode13
DIRECTORY button32, 33
Display contrast60
- E** Electronic telephone directory33
ERASE button28, 53
Error messages65
Extension copy48
- F** FAX mode18, 24
FAX ring count24
Feeder pressure73
FILM/PAPER SAVE key47
FLASH button35
- H** HANDSET MUTE button20
Handset volume16
HELP button13
- I** INSERT key15
- J** Journal auto print63
Journal report62, 64
Junk mail prohibitor41
- L** Logo position39
LOWER key31, 32
- M** MAIL BOX button52
Mailbox alert53
Mailbox password50
MEMO/2WAY REC button29
Memory reception44
- Memory reception alert45
MENU button14, 31, 36, 62
Message alert28
MONITOR button20, 34
Monitor volume16
- N** NEW MESSAGES button27
- O** One-touch dialing31, 32
Overseas transmission mode38
- P** Pager alert for fax reception43
Pager alert for voice messages54
PAUSE button35
Polling36
- R** REC button17, 51
RECEIVE MODE button18
Receiving reduction mode46
REDIAL/PAUSE button35
Remote fax activation code40
Remote operation ID56
REPEAT button27, 52
RESOLUTION button21
Ring pattern detection42
Ringer volume16
- S** SECRET key31
SELECT button17, 51
Set default60
SKIP button27
SPACE key15
Speed dialing31, 32
START/SET button14, 22
STOP button22
- T** TEL mode18
Telephone number list62
TONE button35
Transmission report62, 63, 64
- V** Visual film indicator7
Voice contact34
VOLUME button16
- Y** Your facsimile telephone number16
Your logo14

Panasonic FAX ADVANTAGE PROGRAM

We are proud to present the Panasonic Fax Advantage Program. It's an incredible service program that's full of exciting advantages!

Customer Satisfaction

In support of our one-year limited warranty* (parts and labor) on our current fax product line, Panasonic is proud to offer you the following service options during the limited warranty period:

- 1 If you mail-in or carry-in your fax unit to one of our Regional Servicenters, the product will be repaired and returned to you, or
- 2 If you call our 1-800-HELPFAX toll-free number, you will receive a refurbished replacement product overnight or on the second business day (delivery depending on the time of your call.)

Support After The Sale

If you have a problem with your fax, just call our 1-800-HELPFAX toll-free number for friendly support and assistance. We have a highly-qualified team of experts who can diagnose, and most likely solve, your problem over the phone. Approximately 90% of our customers' problems are resolved with just a simple phone call.

The Fax Advantage Program covers the first year of purchase and works like this:

- 1 If you have a problem with your fax, call toll-free 1-800-HELPFAX.
- 2 Talk to one of our experienced technical experts to diagnose (and most likely solve) your problem over the phone.
- 3 Providing that you may be entitled to Panasonic's service under the terms and conditions of the limited warranty**, we will arrange for a reconditioned replacement unit to be shipped to you overnight or second business day delivery, depending on the time of your call. The replacement unit will be completely refurbished, quality-tested by Panasonic technicians, and individually hand-inspected before it is shipped to you. You will keep the replacement unit and send your original unit to us, along with a copy of your receipt.
- 4 This receipt must be shipped back with your original unit to Panasonic Company (as per instructions enclosed in your

replacement unit's box)

Any unit that is replaced by Panasonic and not backed up by a proof of purchase by you will be subject to a minimum \$100.00 charge. Any unit that is replaced, but does not meet the terms and conditions of the limited warranty will be subject to additional charges, as per the program guidelines.

5 Once you receive your replacement unit, pack up your problem unit in the replacement unit's box. UPS will make 3 attempts within 10 days to pick-up your defective unit at no charge to you (should you be entitled to warranty service. If warranty conditions do not apply, you will be charged for all applicable shipping charges). The product must be properly packaged in the same manner as the replacement unit, utilizing the packing materials provided. You must make your unit available for UPS pick-up. If your unit is not available for UPS, you will be responsible for shipping unit back at your expense. Damage due to improper or inadequate packing will be charged back to your charge card as an out-of-warranty cost, as per the warranty stipulations.

Requirements:

6 You must give our technicians a valid credit card number. They will change your card account to cover any charges that are incurred by failure to send the problem product to Panasonic Company. If your problem unit is not eligible for warranty, you will be charged for the repair of the unit and for any shipping charges associated with this program. If you do not wish to pay out-of-warranty repair costs, you will be responsible for returning the replacement unit to Panasonic and for paying all shipping charges associated with this program including the overnight delivery of replacement product to you, shipment of problem unit to Panasonic, the replacement unit back to Panasonic and the return of your original unit back to you.

Acceptable credit cards

Discover VISA
Master Card American Express (Optima)

Product that is not returned to Panasonic by 10 business days after shipment of the replacement product, will be charged to your account at Panasonic's Suggested Retail Price (see dealer for details).

Credit status will be verified prior to sending the replacement product.

Proof of Purchase must be included with the returned unit to verify warranty status.

Any parts and labor that are not covered by the limited warranty* will be charged as a non-warranty repair and billed at Panasonic's current rate for parts and labor.

See the warranty stipulations in these instructions.

Replacement program excludes Puerto Rico and is subject to termination at any time without advance notice.



Matsushita Consumer Electronics
Company, Division of Matsushita
Electric Corporation of America
One Panasonic Way, Secaucus,
New Jersey 07094

Panasonic Sales Company,
Division of Matsushita Electric of
Puerto Rico, Inc ("PSC")
Ave 65 de Infanteria, Km 9.5
San Gabriel Industrial Park, Carolina,
Puerto Rico 00985