

S-C 1800 / 1810 SERIES II-LINE TELEPHONES *

S-C 9-2C DIAL

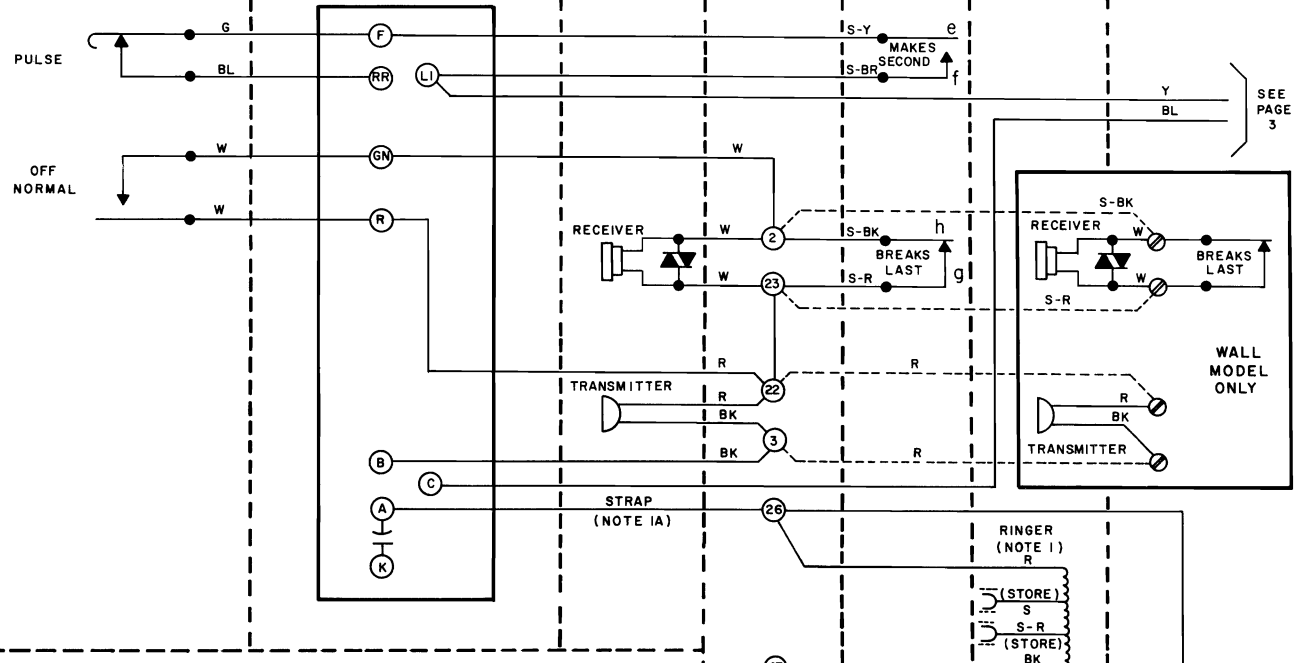
S-C 425E-1 NETWORK

HANDSET

TERMINAL BOARDS

HOOKSWITCH (ON HOOK)

SIGNALS



SEE PAGE 3

WALL MODEL ONLY

* INCLUDES

1800-11B5	1810-11B5	1810-11L5
1800-11B11	1810-11B11	1810-11L11
2800-11B5	2810-11B5	2810-11L5
2800-11B11	2810-11B11	2810-11L11

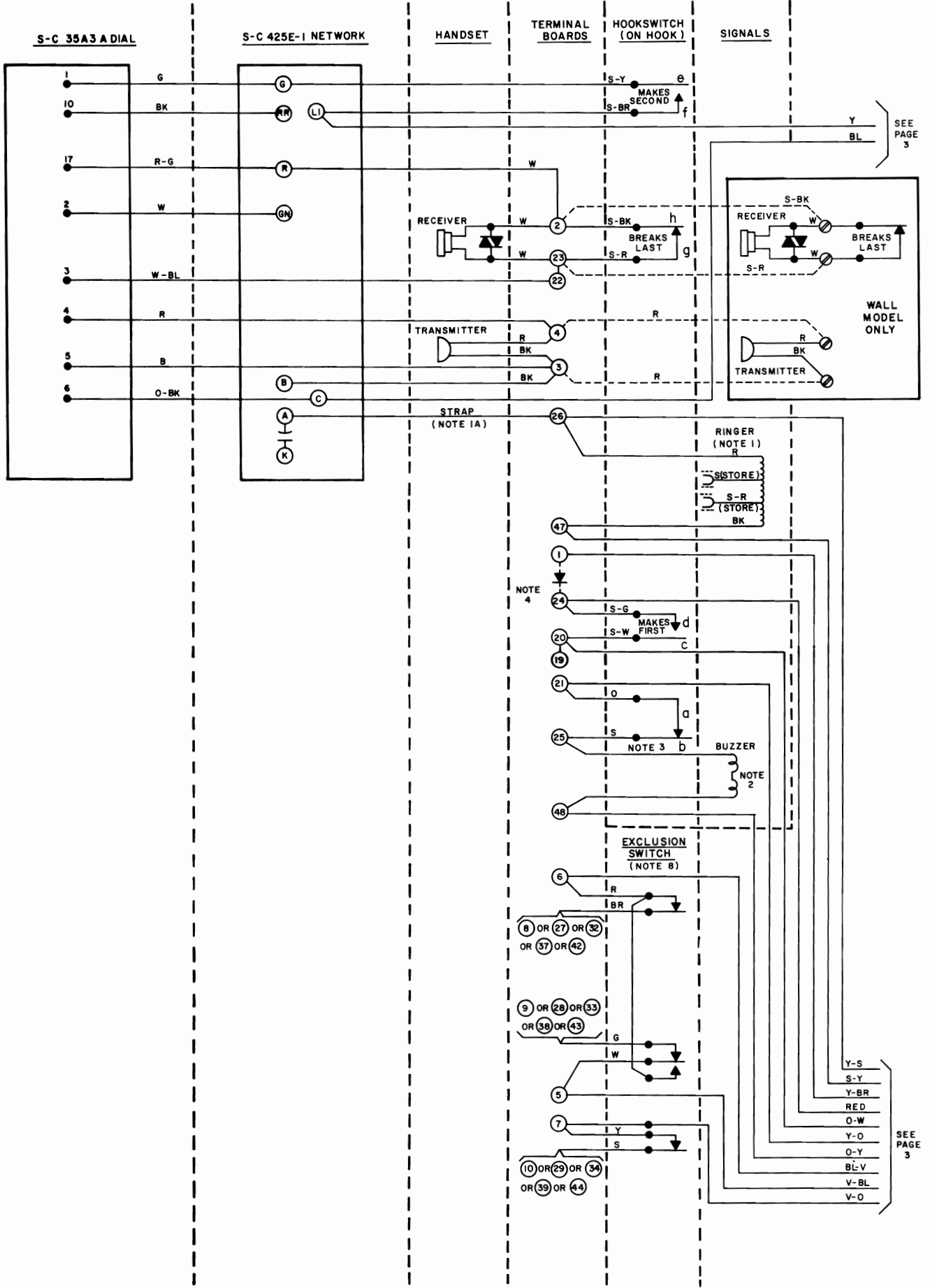
NOTES:

- WHEN A COMMON SIGNAL IS REQUIRED USING STANDARD RINGING VOLTAGE, THE FOLLOWING OPTIONS ARE AVAILABLE:
 - S-C SERIES 20 STRAIGHT-LINE RINGER. ORDER PACKAGE ASSEMBLY 702100-244, AND WIRE AS SHOWN. EXCEPTION - WHEN CAPACITOR IS REQUIRED TO BLOCK DC FROM RINGER, CONNECT RED RINGER WIRE TO NETWORK TERMINAL K AND STRAP TERMINAL 26 TO NETWORK TERMINAL A.
 - S-C SERIES 20 RINGER FOR 60 HZ. ORDER PACKAGE ASSEMBLY 702100-260. CONNECT BLK WIRE TO TERMINAL 47 AND RED WIRE TO TERMINAL 26. DO NOT WIRE IN CAPACITOR A-K.
 - TONE RINGER. ORDER PACKAGE ASSEMBLY 202100-488 AND WIRE PER INSTRUCTION SHEET IN PACKAGE USING TERMINALS 26 AND 47.
- WHEN 8-24 VAC BUZZER IS REQUIRED, ORDER S-C Q-20 BUZZER (S-C 703504-023) AND MOUNT PER INSTRUCTION SHEET ENCLOSED.
- FOR INTERCOM SIGNAL TO BE AUDIBLE WHEN OFF-HOOK, CONNECT SIGNAL LEAD TO TERMINAL-BOARD TERMINAL 21 INSTEAD OF 25.
- WHEN TELEPHONE IS USED WITH BUSY STATION NUMBER DISPLAY (24-VOLT LAMPS), MOVE THE SLT-WHT HOOKSWITCH WIRE FROM TERMINAL-BOARD TERMINAL 24 TO 1 AND ADD AN S-C 827 DIODE (202852-138) AS SHOWN. WHEN 10-VOLT LAMPS (AND 18-VAC POWER) ARE USED, ORDER DIODE PACKAGE ASSEMBLY 206286-451 AND CHANGE WIRING PER INSTRUCTION SHEET IN PACKAGE ASSEMBLY.
- "B" LEADS MAY BE USED AS SPARES OR MULTIPLIED TOGETHER AS A1 LEADS ON TERMINAL-BOARD TERMINALS 19 AND 20.
- TO CONVERT LINE KEY FROM "PICKUP" TO "SIGNAL" FUNCTION, REMOVE PLUNGER LOCKING SCREW TO MAKE KEY NON-LOCKING, AND MOVE THE FOLLOWING WIRE:
 - POSITION 1 - WHT FROM TERMINAL-BOARD TERMINAL 51 TO 52.
 - POSITION 2 - ORN FROM TERMINAL-BOARD TERMINAL 51 TO 52.
 - POSITION 3 - BRN FROM TERMINAL-BOARD TERMINAL 50 TO 52.
 - POSITION 4 - GRN FROM TERMINAL-BOARD TERMINAL 49 TO 52.
 - POSITION 5 - SLT FROM TERMINAL-BOARD TERMINAL 49 TO 52.
 - POSITION 6 - WHT FROM TERMINAL-BOARD TERMINAL 53 TO 52.
 - POSITION 7 - ORN FROM TERMINAL-BOARD TERMINAL 53 TO 52.
 - POSITION 8 - BRN FROM TERMINAL-BOARD TERMINAL 54 TO 52.
 - POSITION 9 - BLK FROM TERMINAL-BOARD TERMINAL 54 TO 52.
 - POSITION 10 - GRN FROM TERMINAL-BOARD TERMINAL 55 TO 52.
 - POSITION 11 - SLT FROM TERMINAL-BOARD TERMINAL 55 TO 52.
- TO PROVIDE "ALL BUTTONS RELEASED INTERCOM" ON TELEPHONES EQUIPPED WITH ONE KEY STRIP CONNECT BLU-YEL (R), YEL-BLU (T), YEL-GRN (LG), AND GRN-YEL (L) (ALL IN BLU-WHT BINDER) TO INTERCOM CIRCUIT. ON TELEPHONES EQUIPPED WITH TWO KEY STRIPS CONNECT SLT-YEL (R), YEL-SLT (T) (ALL IN ORN-WHT BINDER), AND YEL-GRN (LG), GRN-YEL (L) (ALL IN BLU-WHT BINDER) TO INTERCOM CIRCUIT. ALSO DISCONNECT BLU-YEL, YEL-BLU, AND VIO-SLT LINE CORD LEADS FROM TERMINAL-BOARD TERMINALS 13, 14, AND 15.
- TO PROVIDE MANUAL EXCLUSION (DESK MODELS ONLY), ORDER PACKAGE ASSEMBLY 206289-781 AND WIRE AS SHOWN. (EXAMPLE: LINE 1: CONNECT EXCLUSION SWITCH BRN, GRN, SLT LEADS TO TERMINAL-BOARD TERMINALS 27, 28, 29 RESPECTIVELY AND LINE CORD EXCLUSION R, T, A LEADS TO EXCLUDED STATION (S) LINE 1).
- WHEN POLARITY GUARD IS REQUIRED FOR TONE-DIAL (R) SIGNALING UNDER REVERSED BATTERY CONDITIONS, ORDER PACKAGE ASSEMBLY 703016-852 AND WIRE PER INSTRUCTION SHEET IN PACKAGE ASSEMBLY.

NOTE 4

SEE PAGE 3

S-C 2800/2810 SERIES II-LINE TELEPHONES *



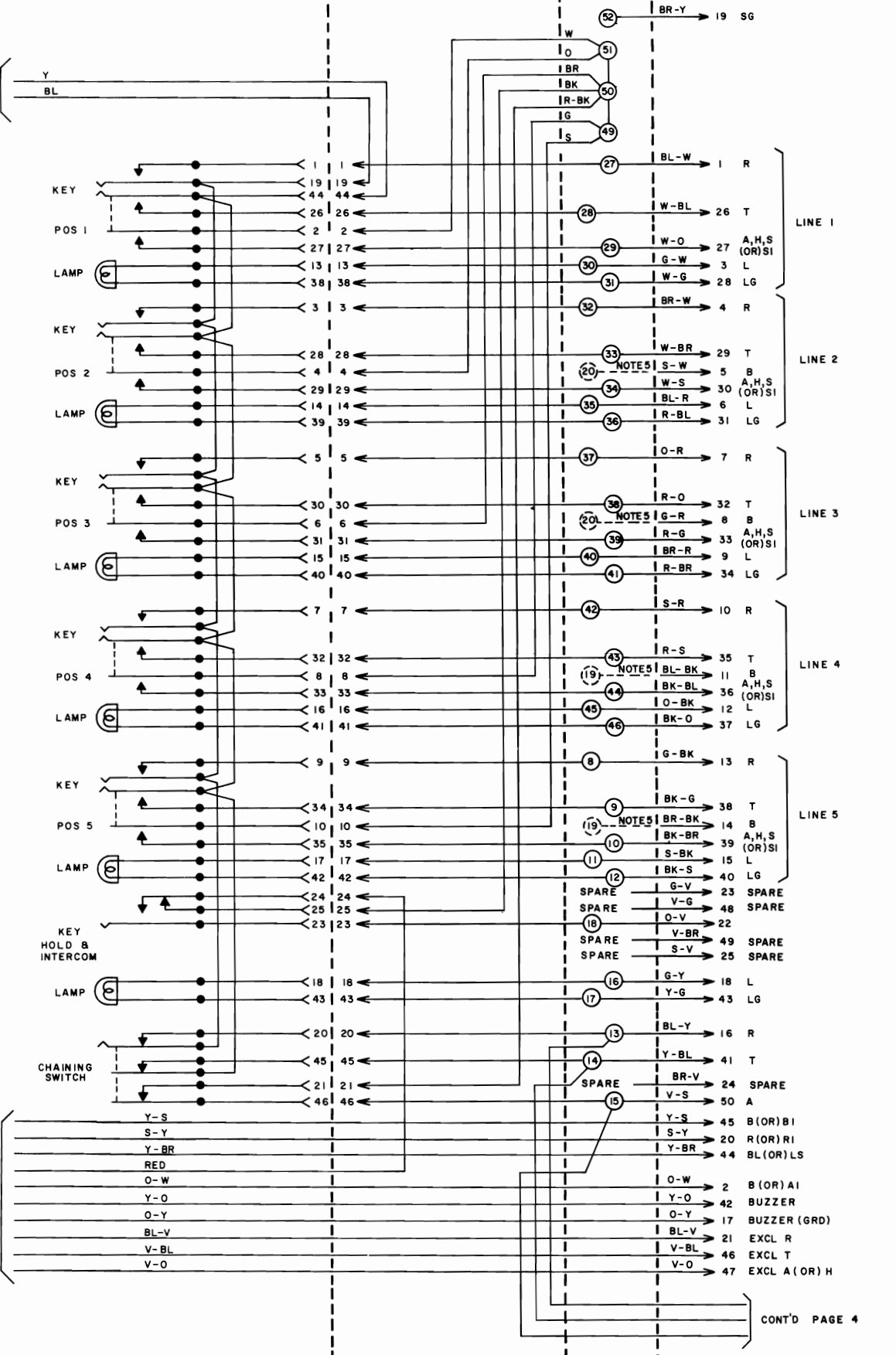
CONT'D FROM PRECEDING PAGES

KEY & CONNECTOR

TELEPHONE CONNECTOR

TERMINAL BOARDS

CONNECTOR NO. 1 TEL. LINE CORD



CONT'D FROM PRECEDING PAGES

Y-S	Y-S	45	B(OR)BI
S-Y	S-Y	20	R(OR)RI
Y-BR	Y-BR	44	BL(OR)LS
RED			
O-W	O-W	2	B(OR)A1
Y-O	Y-O	42	BUZZER
O-Y	O-Y	17	BUZZER (GRD)
BL-V	BL-V	21	EXCL R
V-BL	V-BL	46	EXCL T
V-O	V-O	47	EXCL A(OR)H

CONT'D PAGE 4

