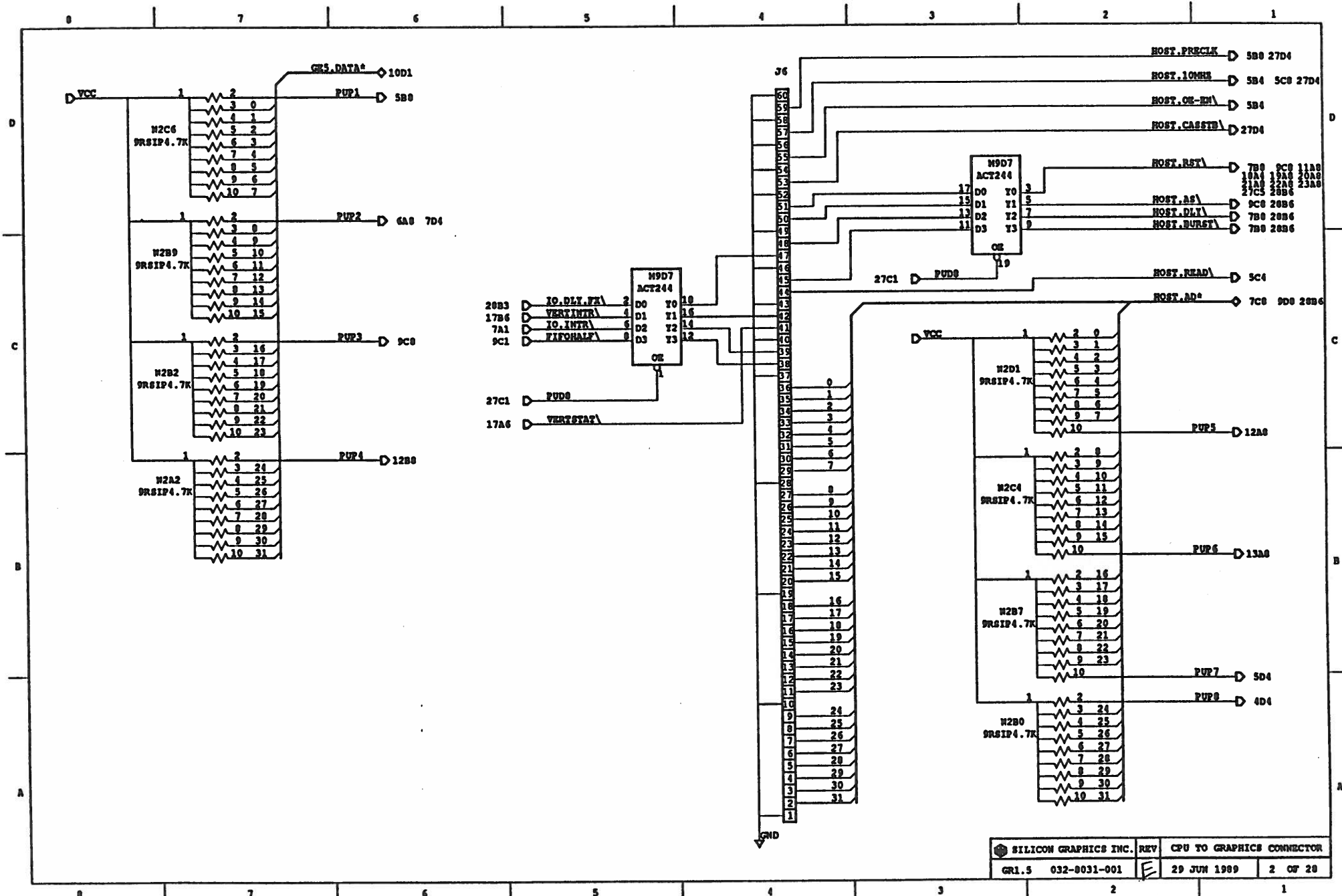


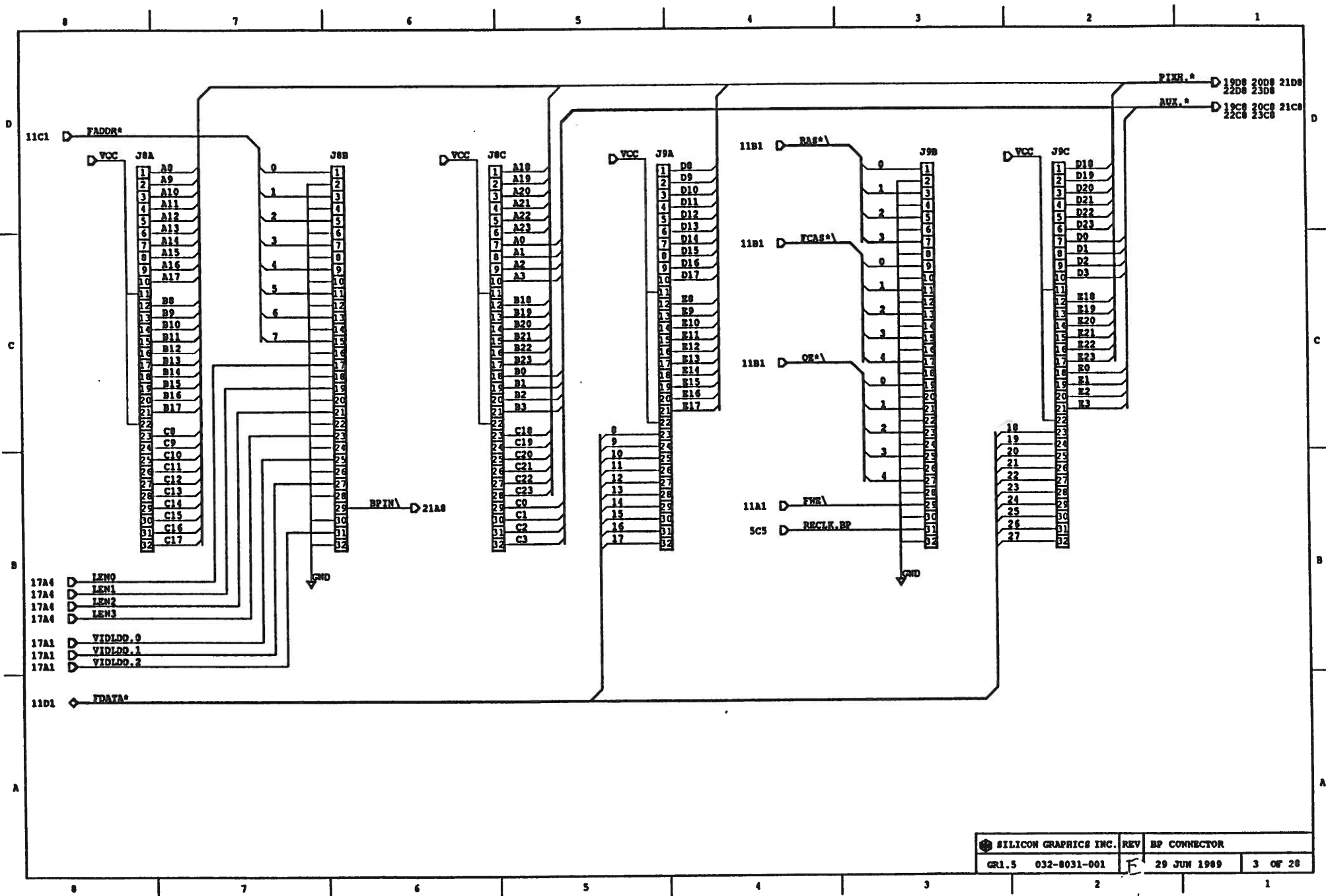
TABLE OF CONTENTS

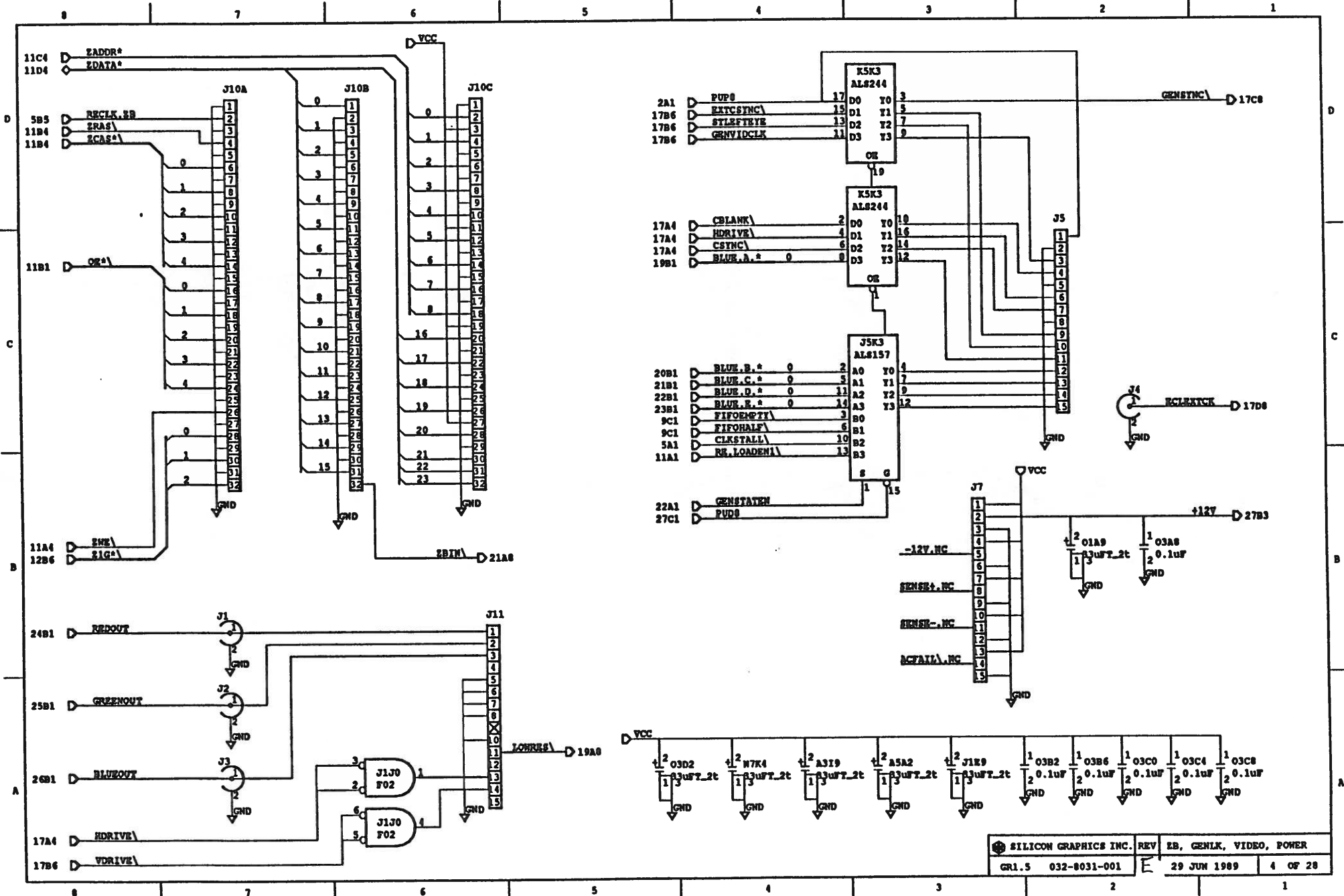
2	CPU CONNECTOR
3	BP CONNECTOR
4	ZB, GENLK, VIDEO, POWER CONN
5	GE/RE CLOCK LOGIC
6	VIDEO CLOCK LOGIC
7	HQ CHIP AND DATA RAM
8	MICROCODE RAM
9	INPUT FIFO AND BUFFERS
10	3132 AND INSTR LATCHES
11	RASTER ENGINE
12	FRAME BUFFER CONTROL REGS
13	FRAME BUFFER DATA REGISTERS
14	VRAM BIT PLANES 0-3
15	VRAM BIT PLANES 4-7
16	VRAM WID PLANES
17	VIDEO TIMING GENERATION
18	ADDR DECODERS, CURSOR
19	XMAP AND COLOR MAP A
20	XMAP AND COLOR MAP B
21	XMAP AND COLOR MAP C
22	XMAP AND COLOR MAP D
23	XMAP AND COLOR MAP E
24	RED DAC
25	GREEN DAC
26	BLUE DAC
27	MISC
28	GRAPHICS FIX GATE ARRAY

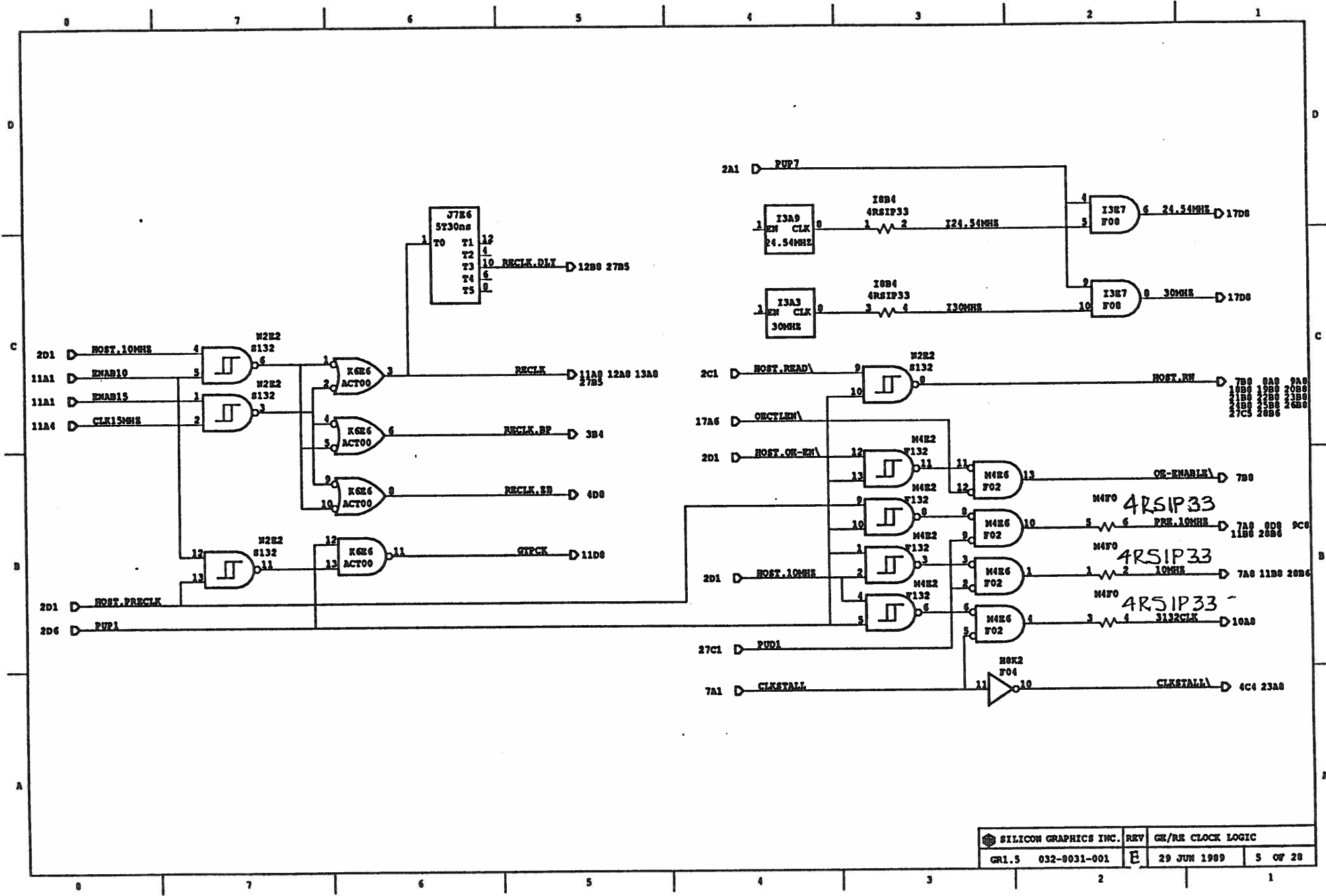
REVISIONS				
ZONE	REV	DESCRIPTION	DATE	APPROVED
	A	E382: CIR		GMC
	B	E570: Update		
	C	E589: REV CHG.		
	D	E598: REV CHG.		
	E	E771: CHG. P.5		

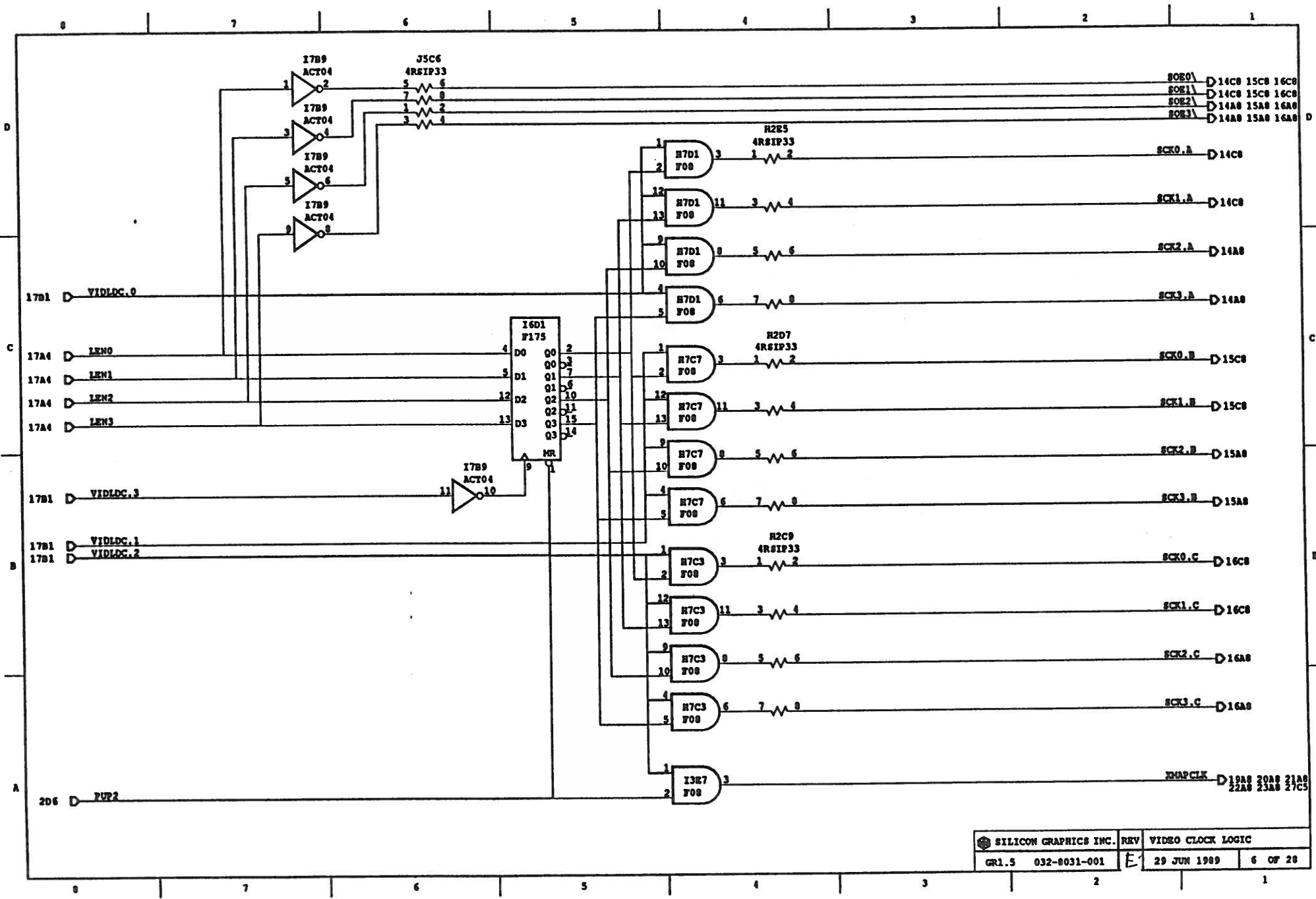
APPLICATIONS				SILICON GRAPHICS INC.				
		drw		GR1.5				
		chk						
		iss.						
				NOM.	DRAWING NUMBER	REV	DATE	SHEET
NEXT ASSEMBLY	USED ON	APPROVALS	DATE	GR1.5	032-8031-001	E	29 JUN 1989	1 OF 28



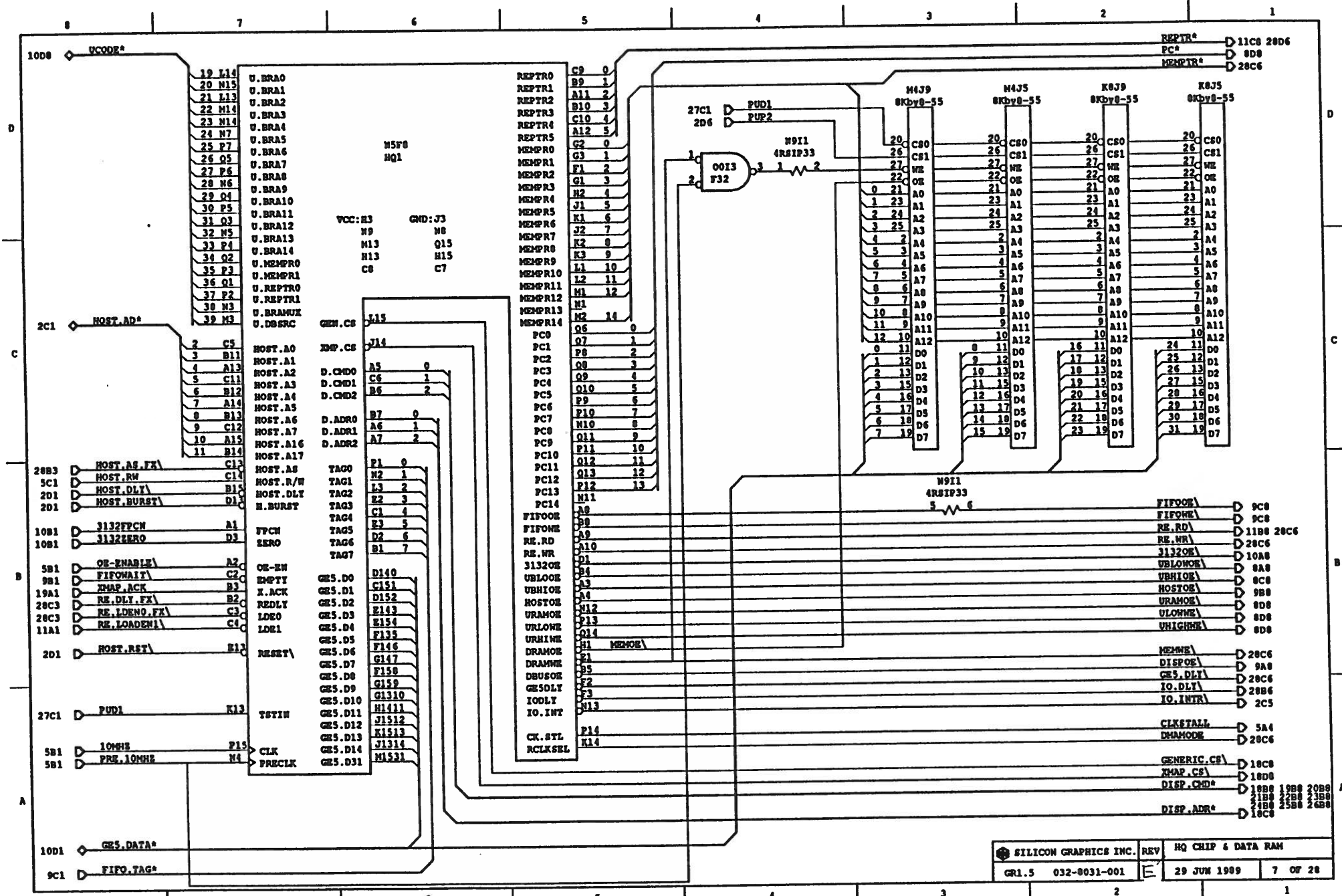


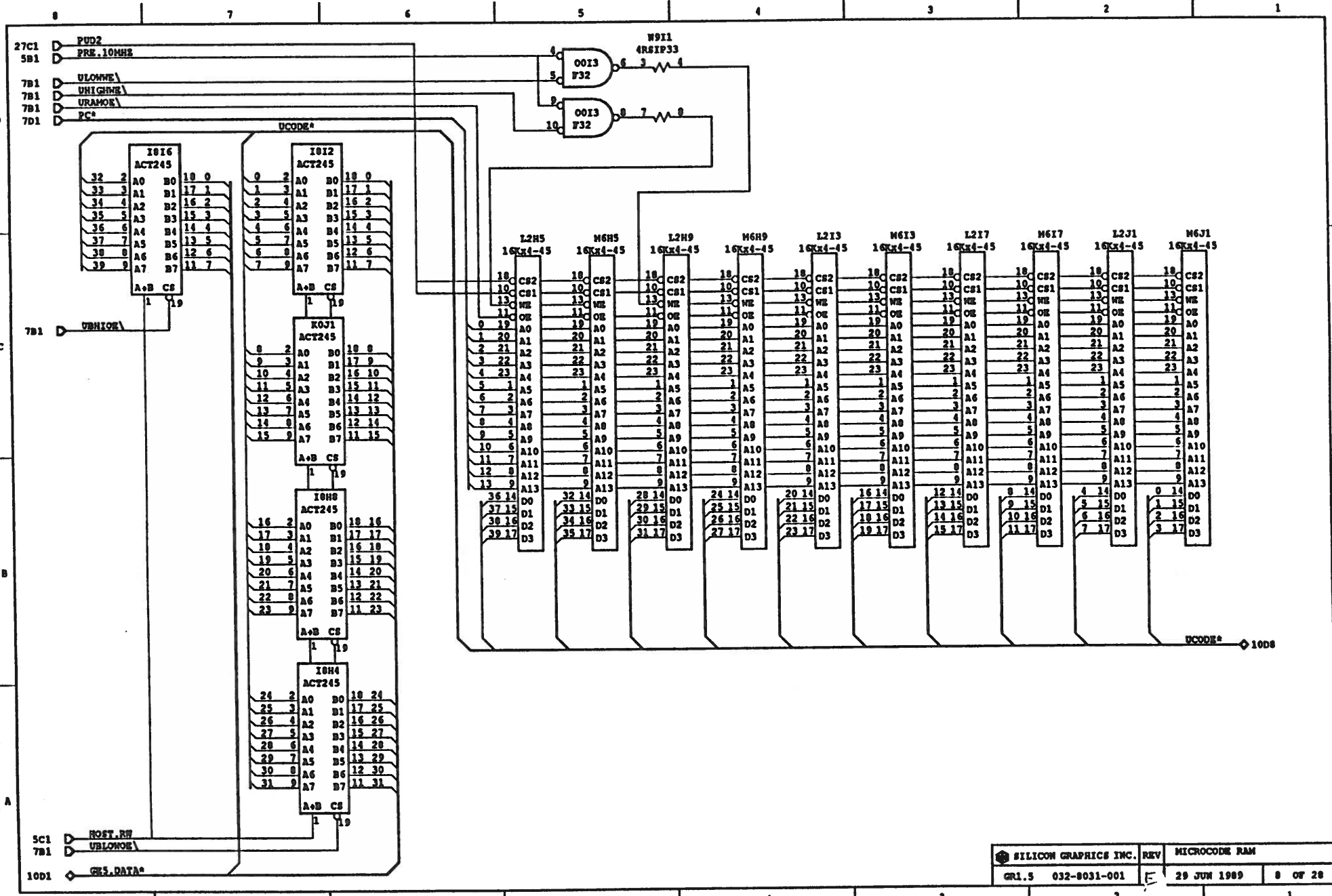


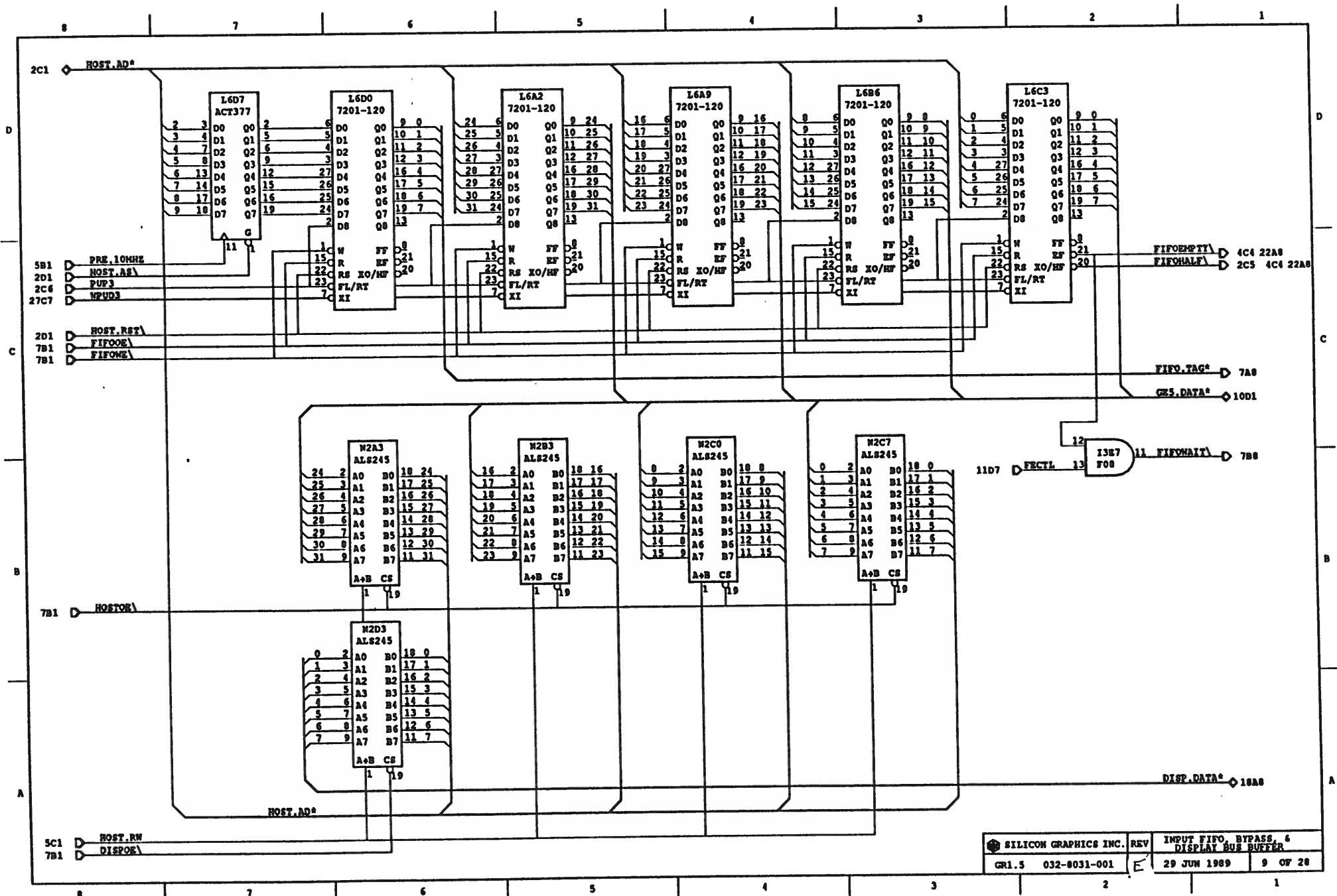


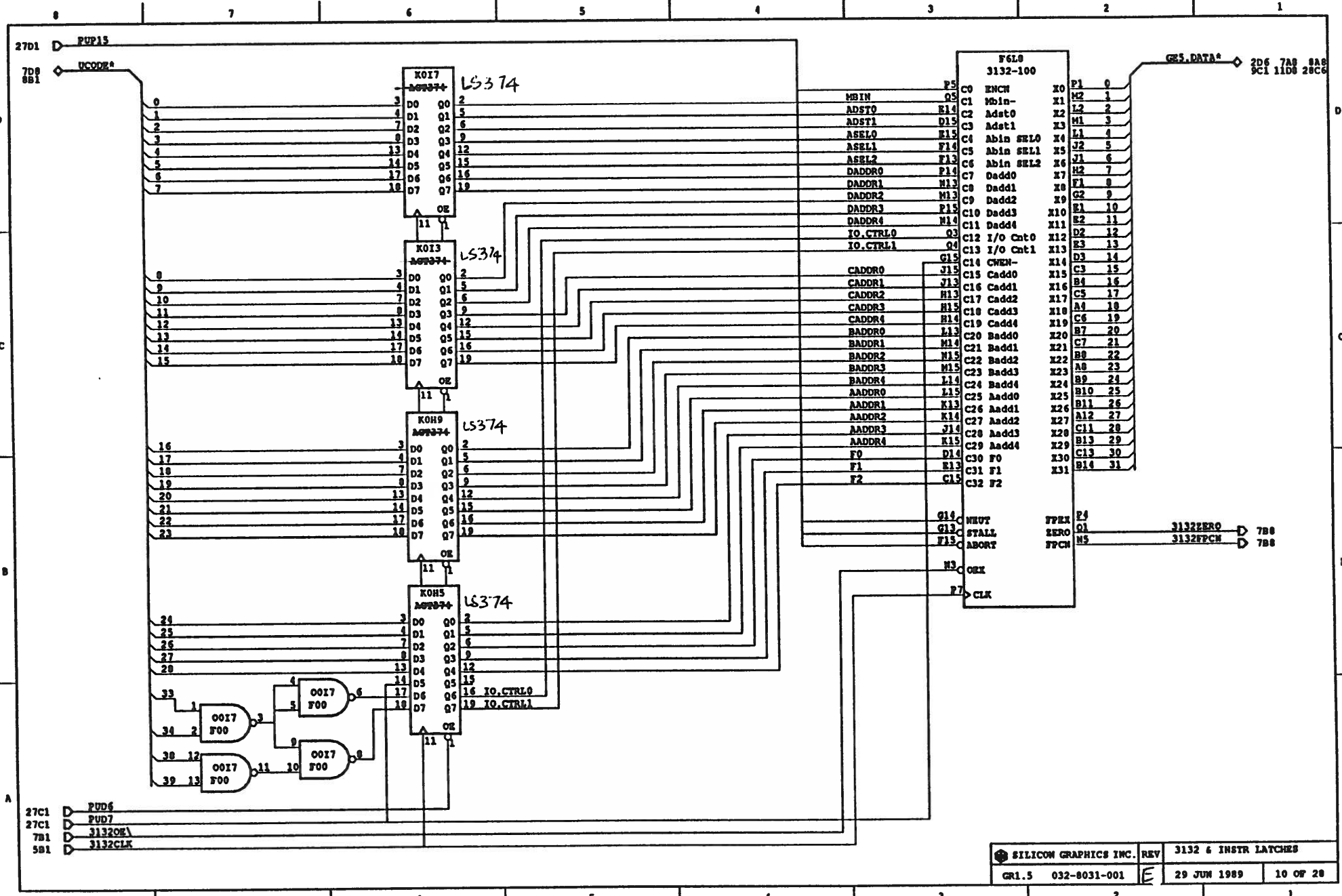


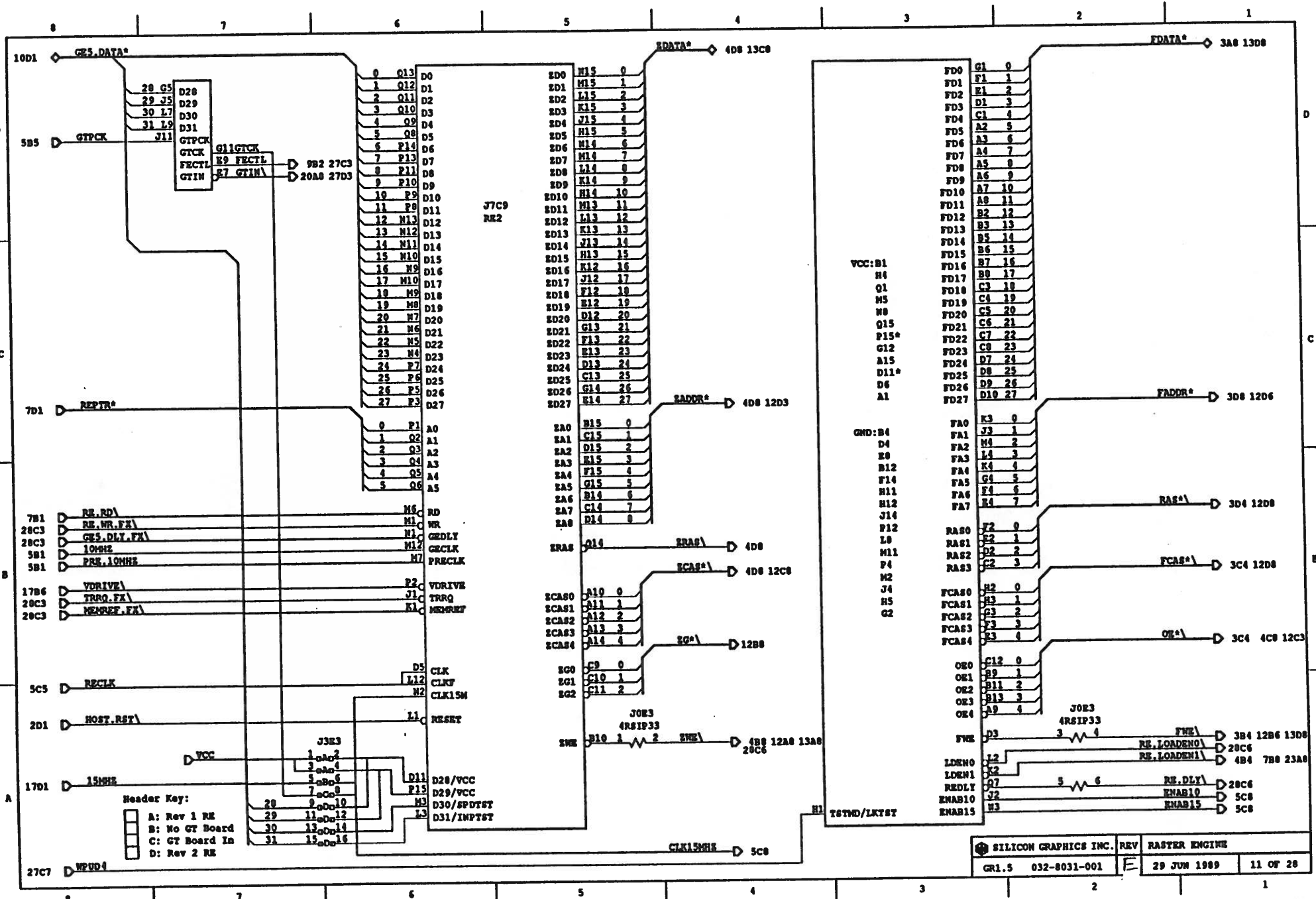
SILICON GRAPHICS INC.		REV	VIDEO CLOCK LOGIC	
GR1.5	032-8031-001	E	29 JUN 1989	6 OF 28



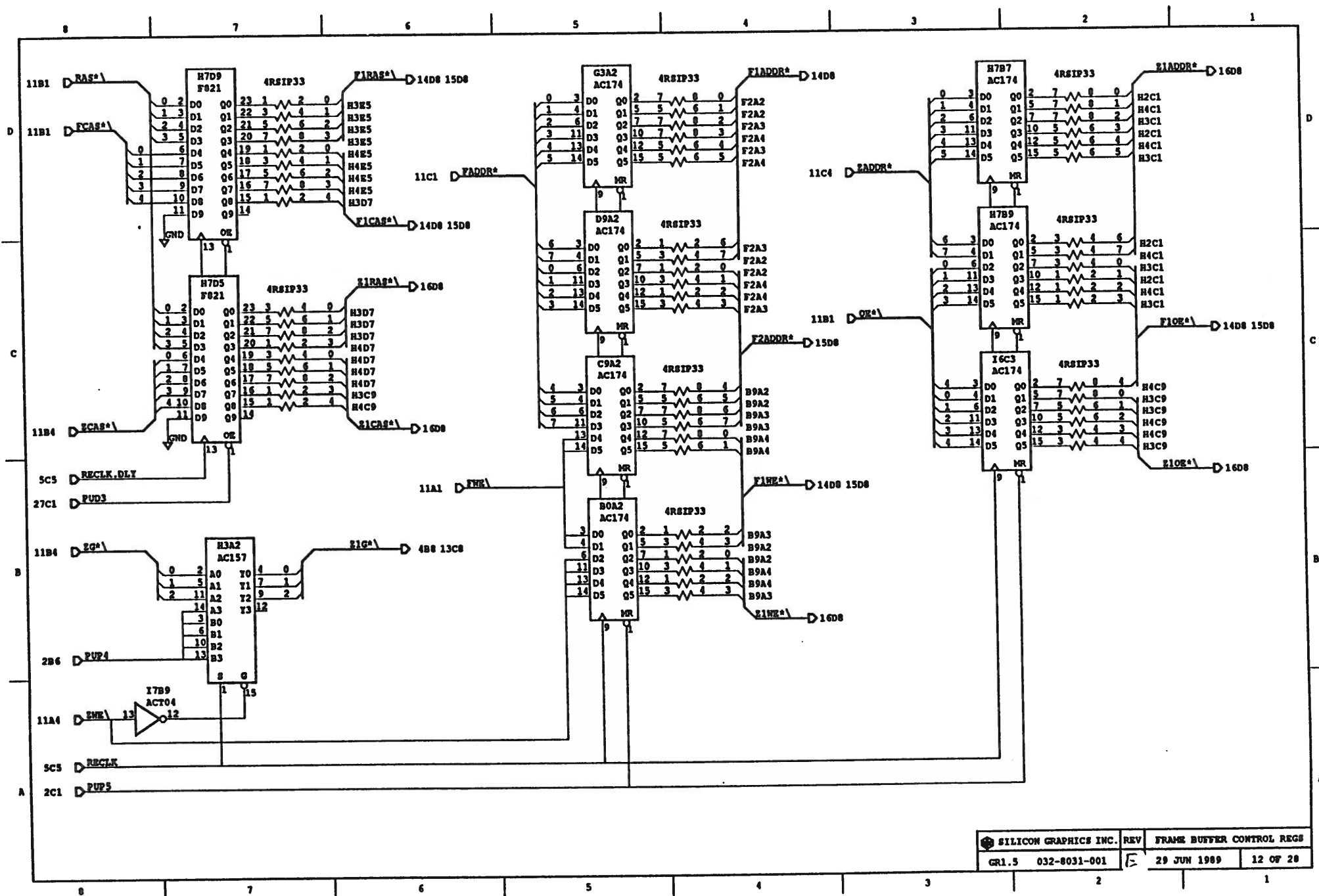


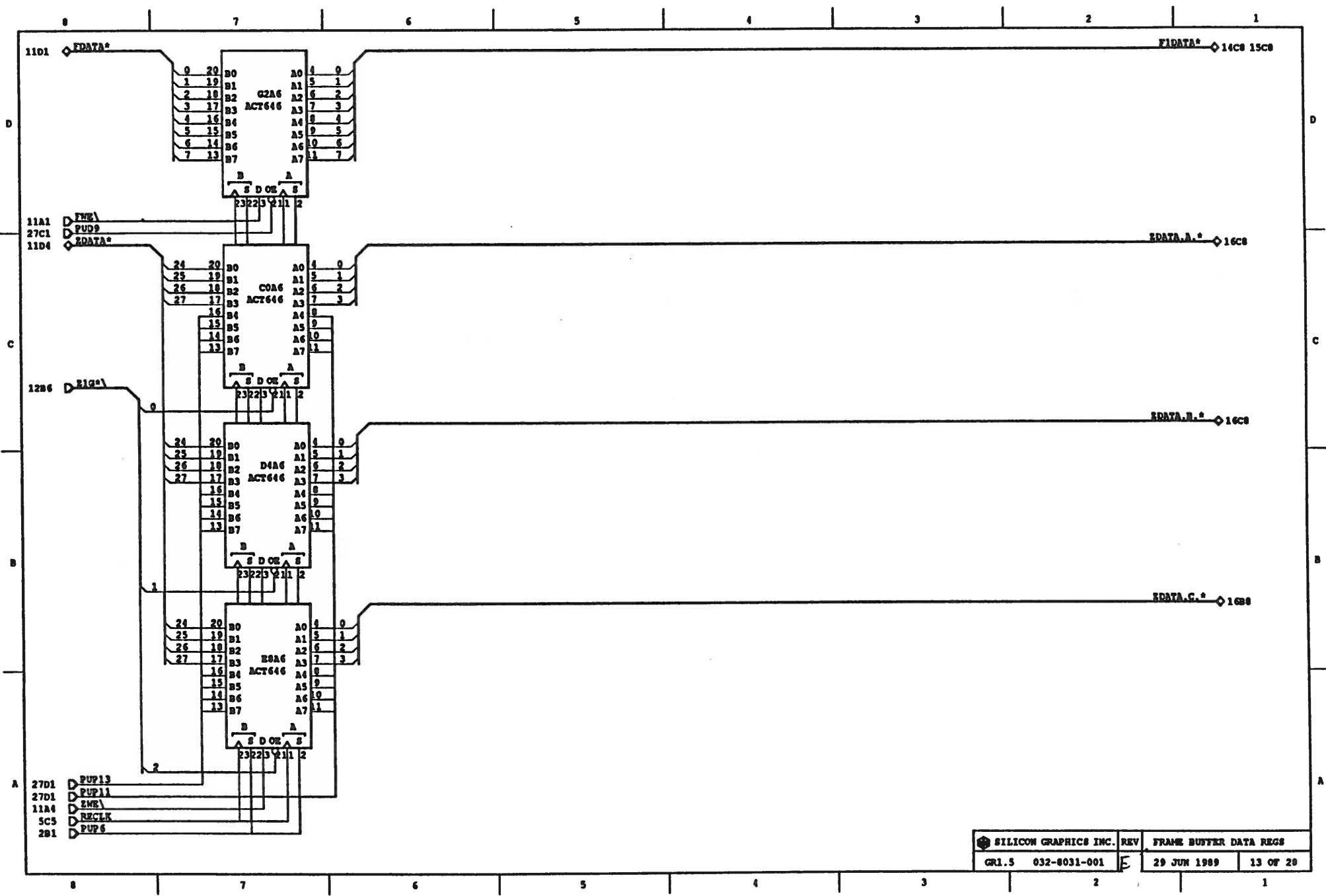




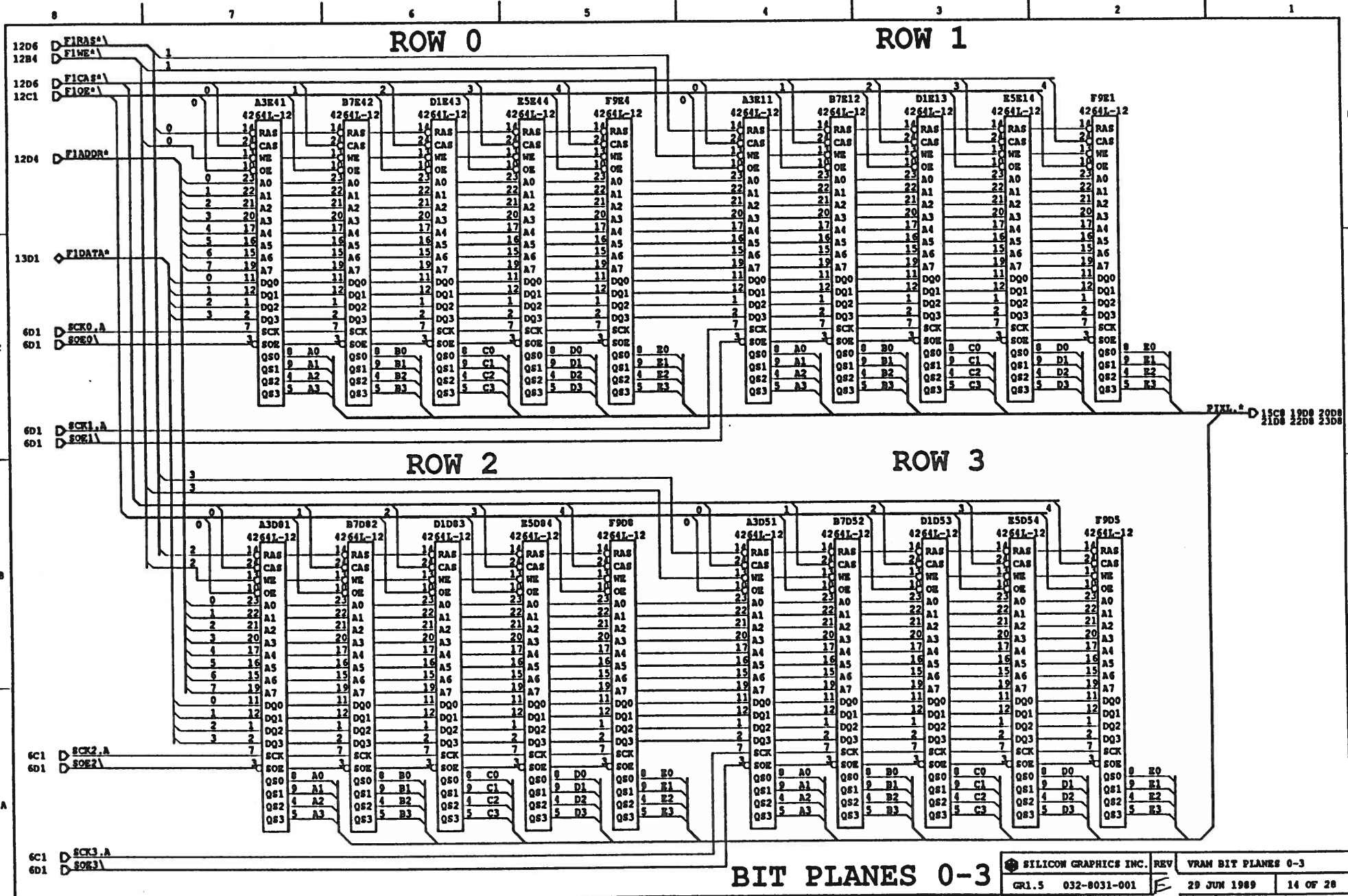


Header Key:
 A: Rev 1 RE
 B: No GT Board
 C: GT Board In
 D: Rev 2 RE





SILICON GRAPHICS INC.		REV	FRAME BUFFER DATA REGS	
GR1.5	032-8031-001	E	29 JUN 1989	13 OF 20



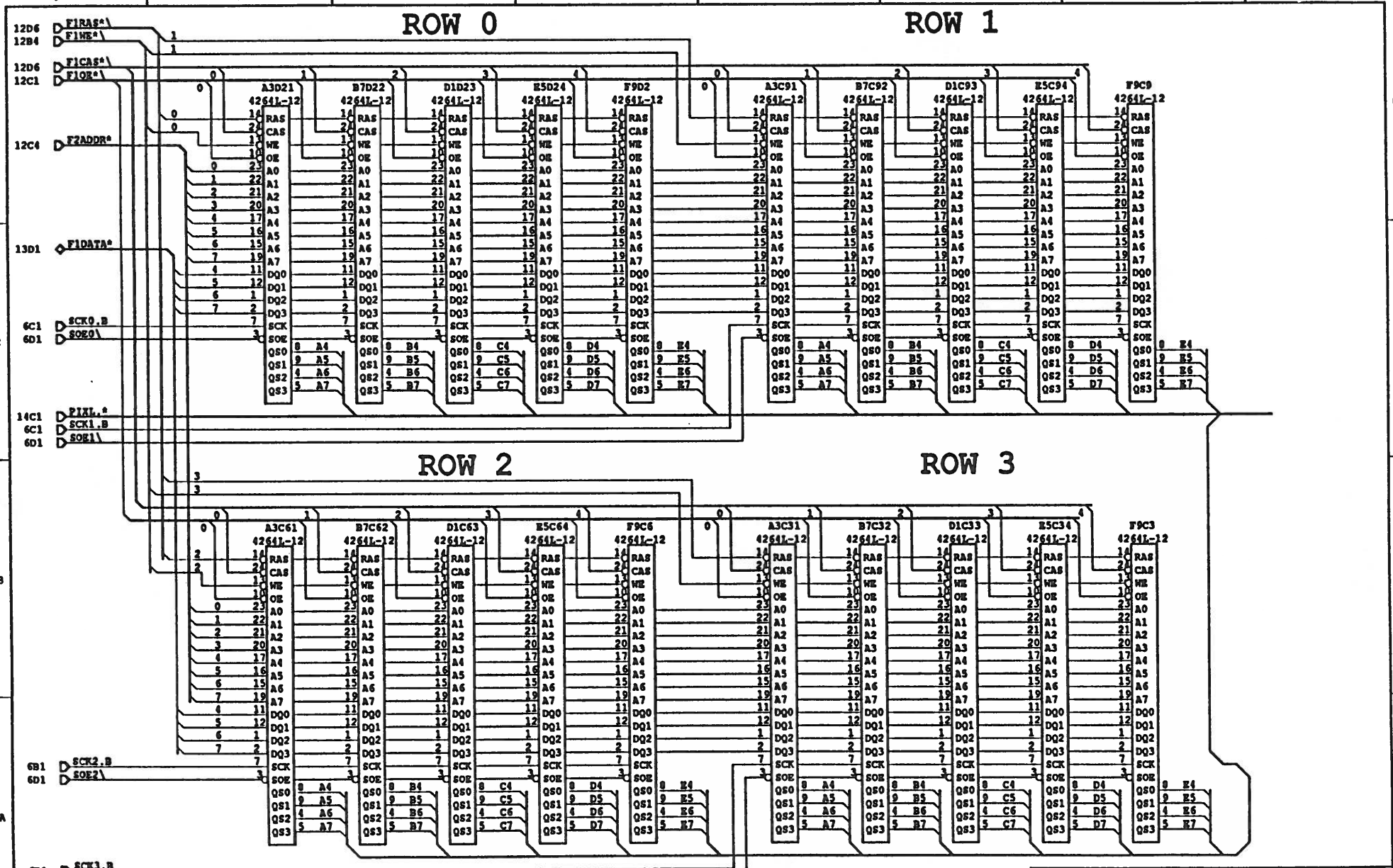
BIT PLANES 0-3

ROW 0

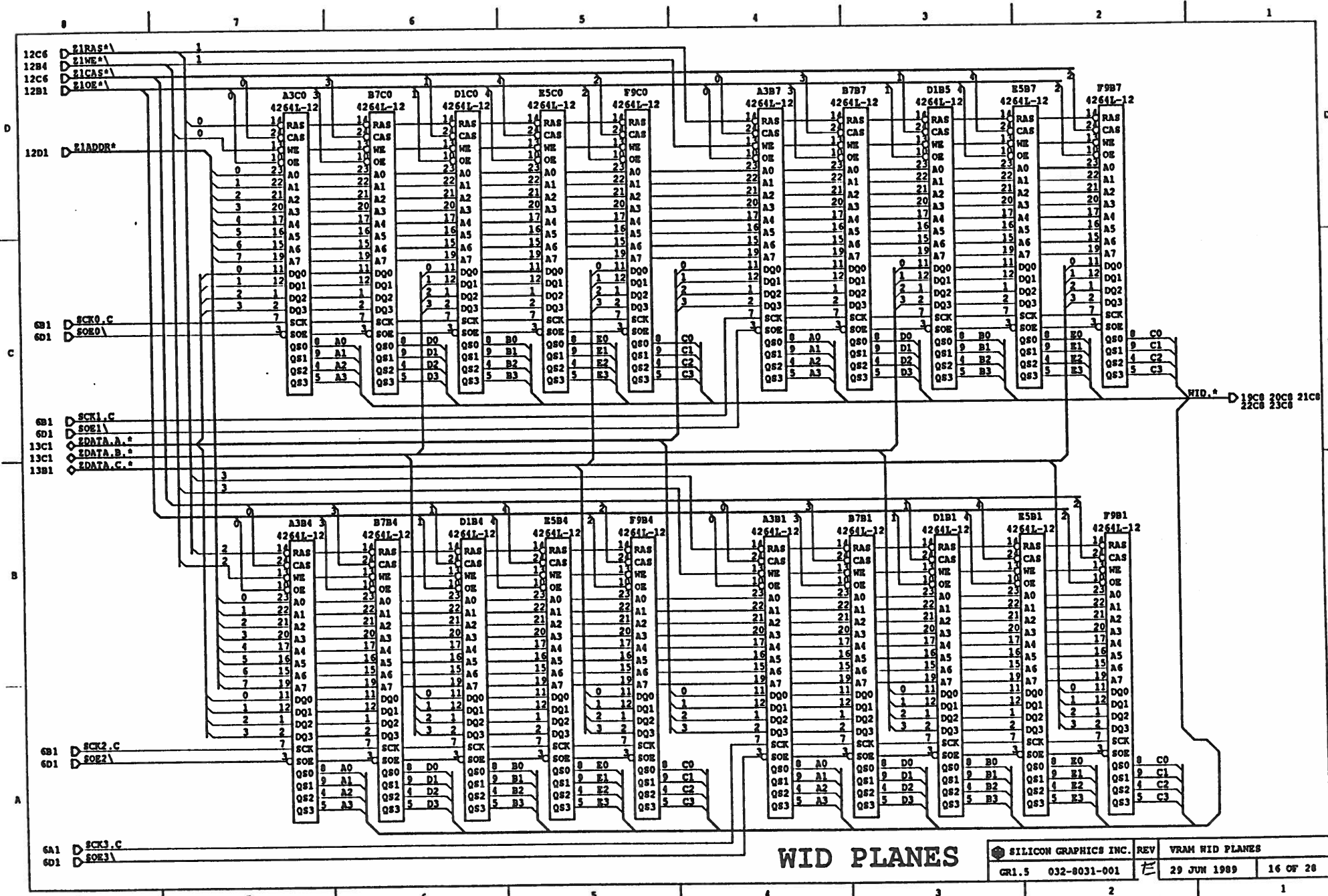
ROW 1

ROW 2

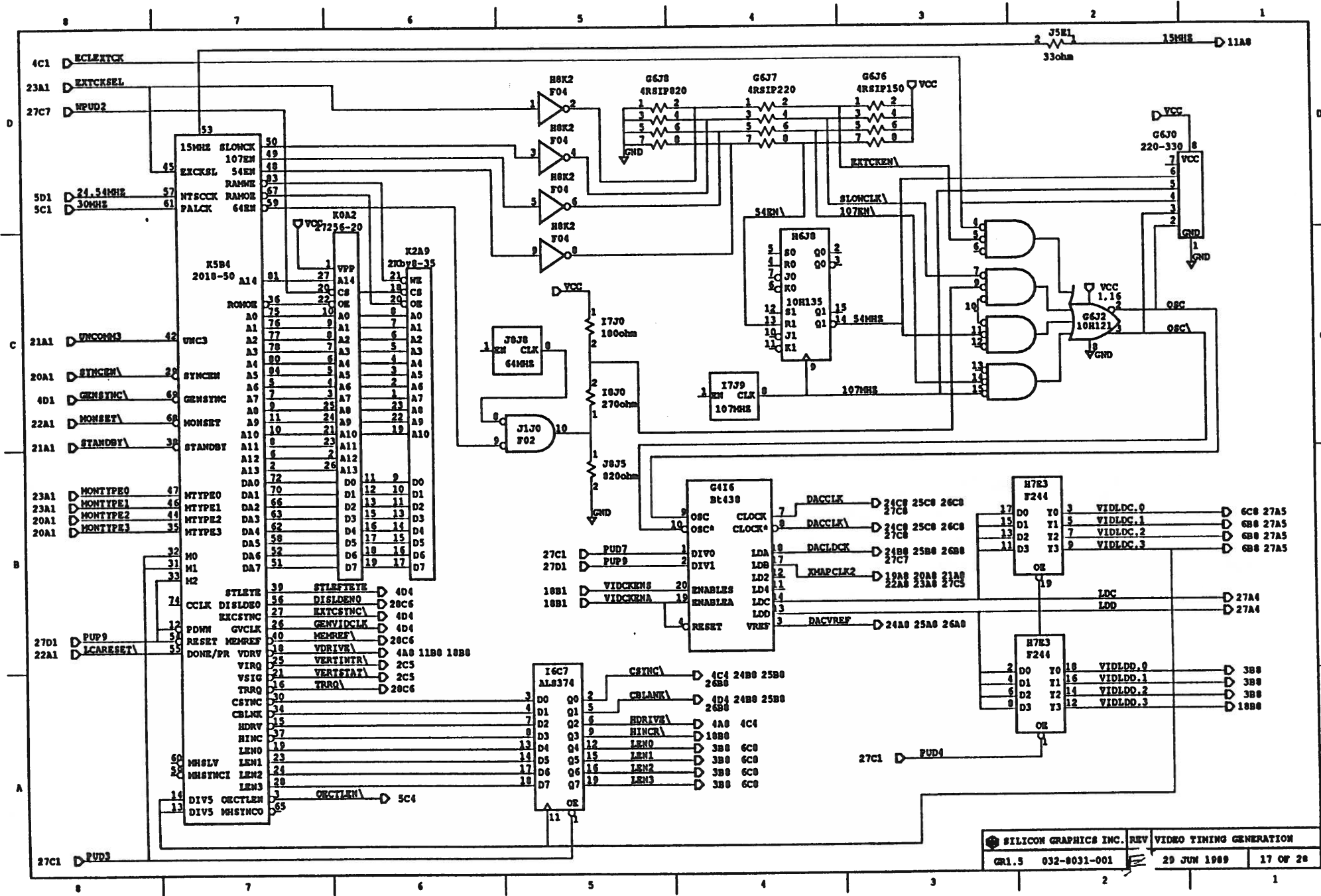
ROW 3

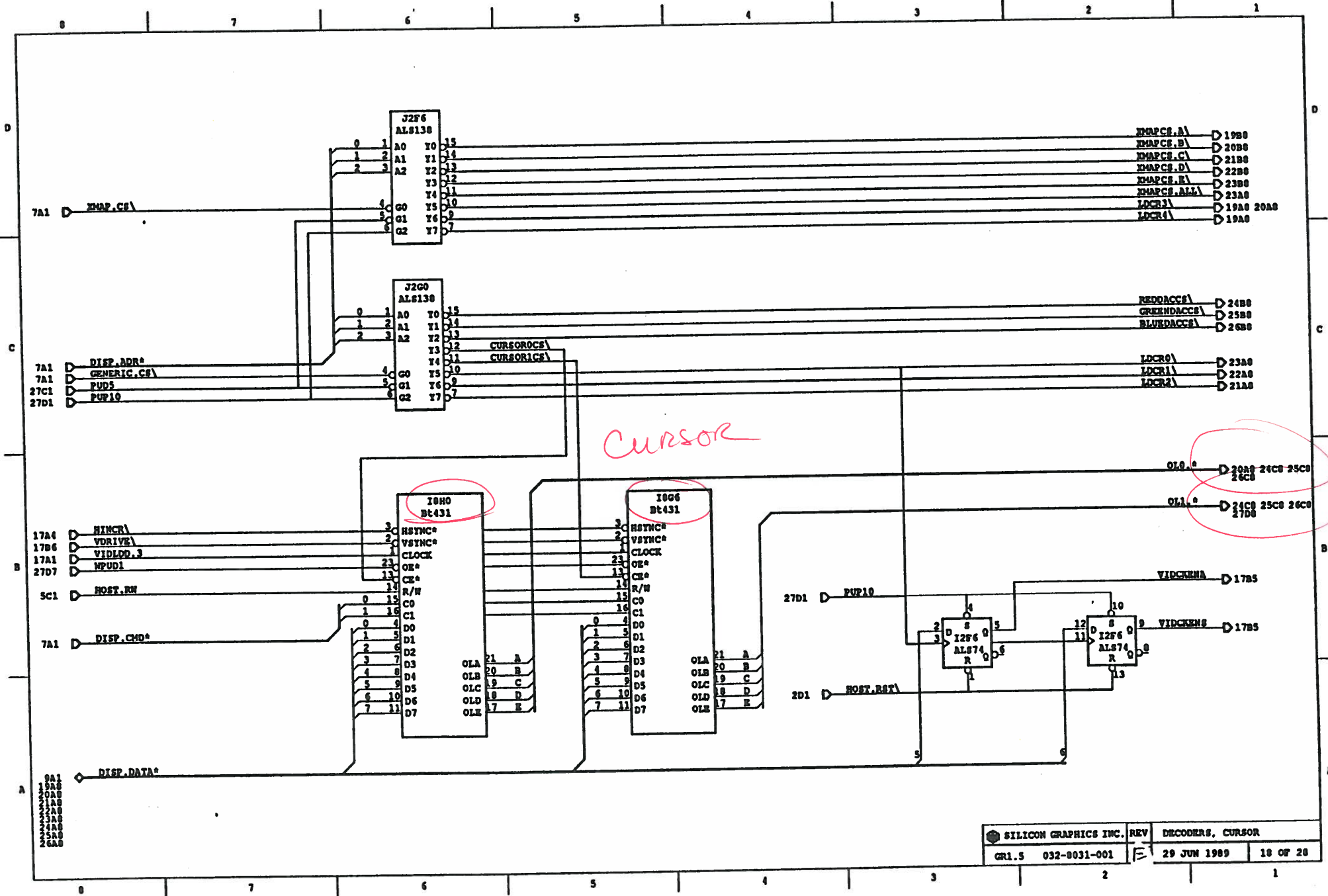


BIT PLANES 4-7



WID PLANES





J2F6 ALS138

0 1 A0 Y0 15
 1 2 A1 Y1 14
 2 3 A2 Y2 13
 Y3 12
 Y4 11
 Y5 10
 G1 Y6 9
 G2 Y7 8

J2G0 ALS138

0 1 A0 T0 15
 1 2 A1 T1 14
 2 3 A2 T2 13
 T3 12
 T4 11
 T5 10
 G1 T6 9
 G2 T7 8

74180 Dt431

3 HSTNC*
 2 VSTNC*
 21 CLOCK
 13 OE*
 12 CE*
 11 R/W
 15 C0
 16 C1
 0 4 D0
 1 5 D1
 2 6 D2
 3 7 D3
 4 8 D4
 5 9 D5
 6 10 D6
 7 11 D7

OLA 21 A
 OLB 20 B
 OLC 19 C
 OLD 18 D
 OLE 17 E

74180 Dt431

3 HSTNC*
 2 VSTNC*
 21 CLOCK
 13 OE*
 12 CE*
 11 R/W
 15 C0
 16 C1
 0 4 D0
 1 5 D1
 2 6 D2
 3 7 D3
 4 8 D4
 5 9 D5
 6 10 D6
 7 11 D7

OLA 21 A
 OLB 20 B
 OLC 19 C
 OLD 18 D
 OLE 17 E

74126 ALS74

4 D
 8 S
 5 0
 3 R
 1

74126 ALS74

12 D
 8 S
 10 0
 9 R
 13

741 ZMAP.CE
7A1 DISP.ADR*
7A1 GENERIC.CE
27C1 PVD5
27D1 PUP10

17A4 HIMCR
17B6 YDRIVE
17A1 VIDLDD.3
27D7 NPUD1
5C1 HOST.RN
7A1 DISP.CHD*
2A1 DISP.DATA*
19A0
19A8
21A0
22A0
23A0
25A0
26A0

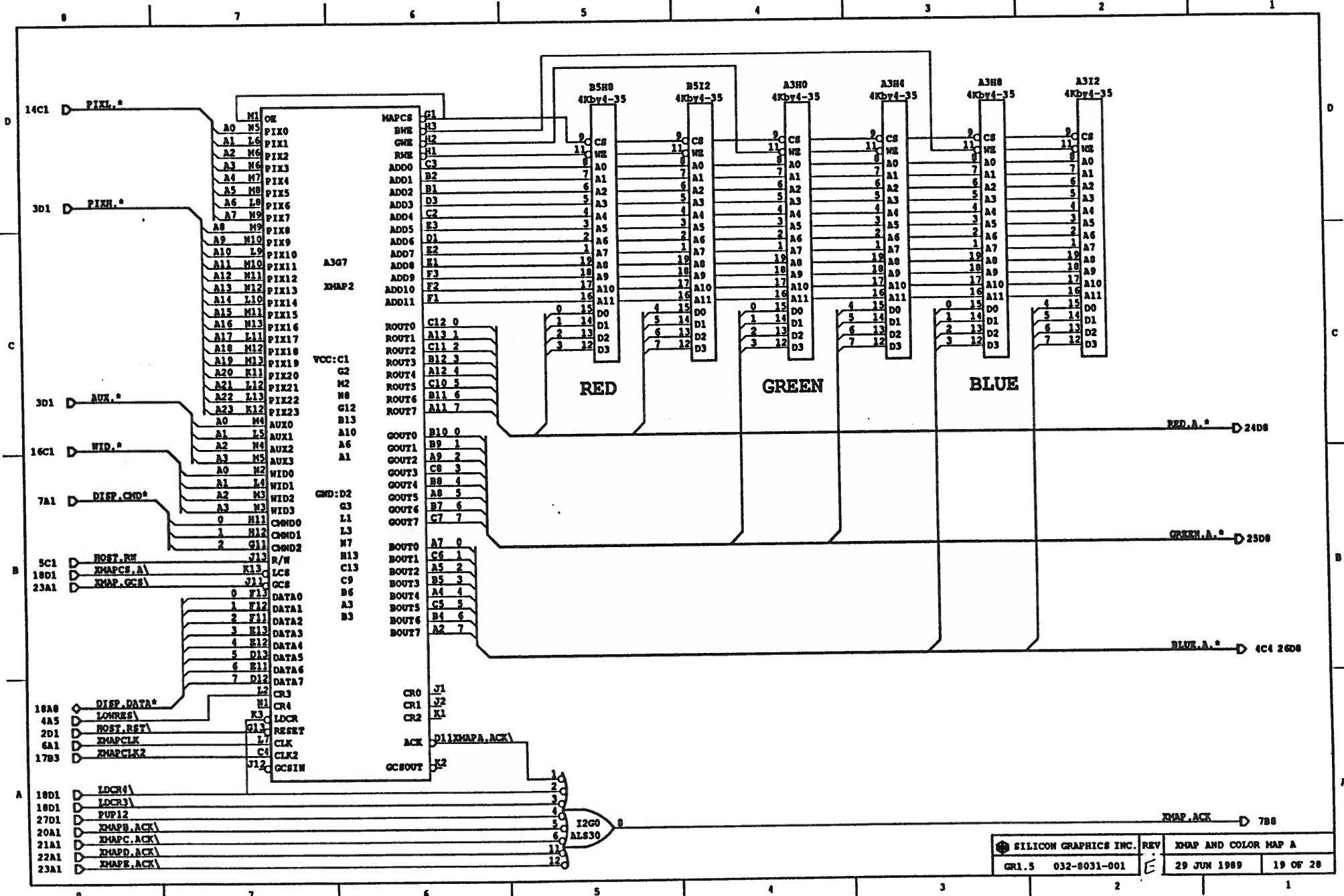
ZMAPCS.A 19B0
ZMAPCS.B 20B0
ZMAPCS.C 21B0
ZMAPCS.D 22B0
ZMAPCS.E 23B0
ZMAPCS.ALL 23A0
LCR1 19A0 20A0
LCR1 19A0

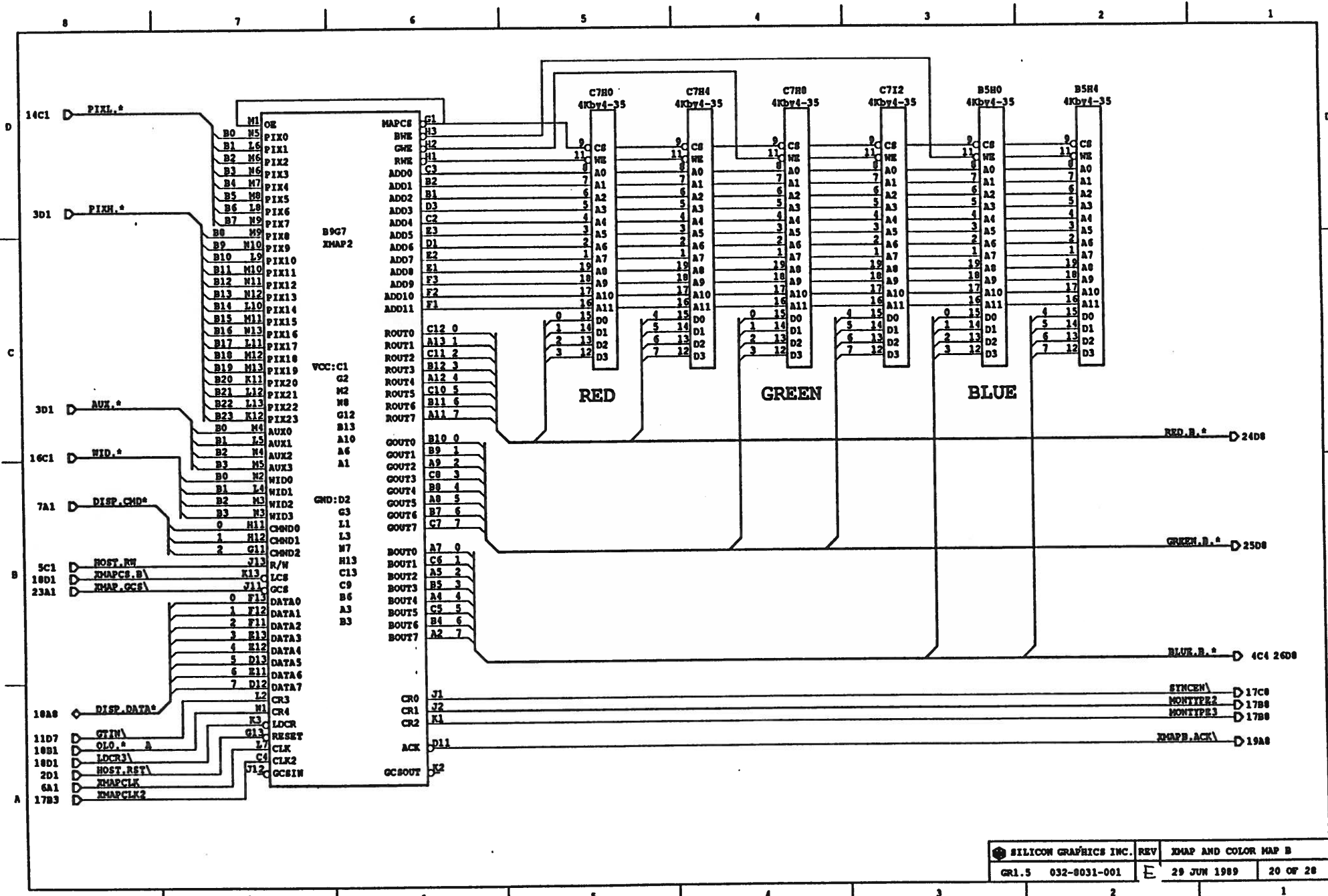
REDOACC 24B0
GREENDACC 25B0
BLUEDACC 26B0

LCR0 23A0
LCR1 22A0
LCR2 21A0

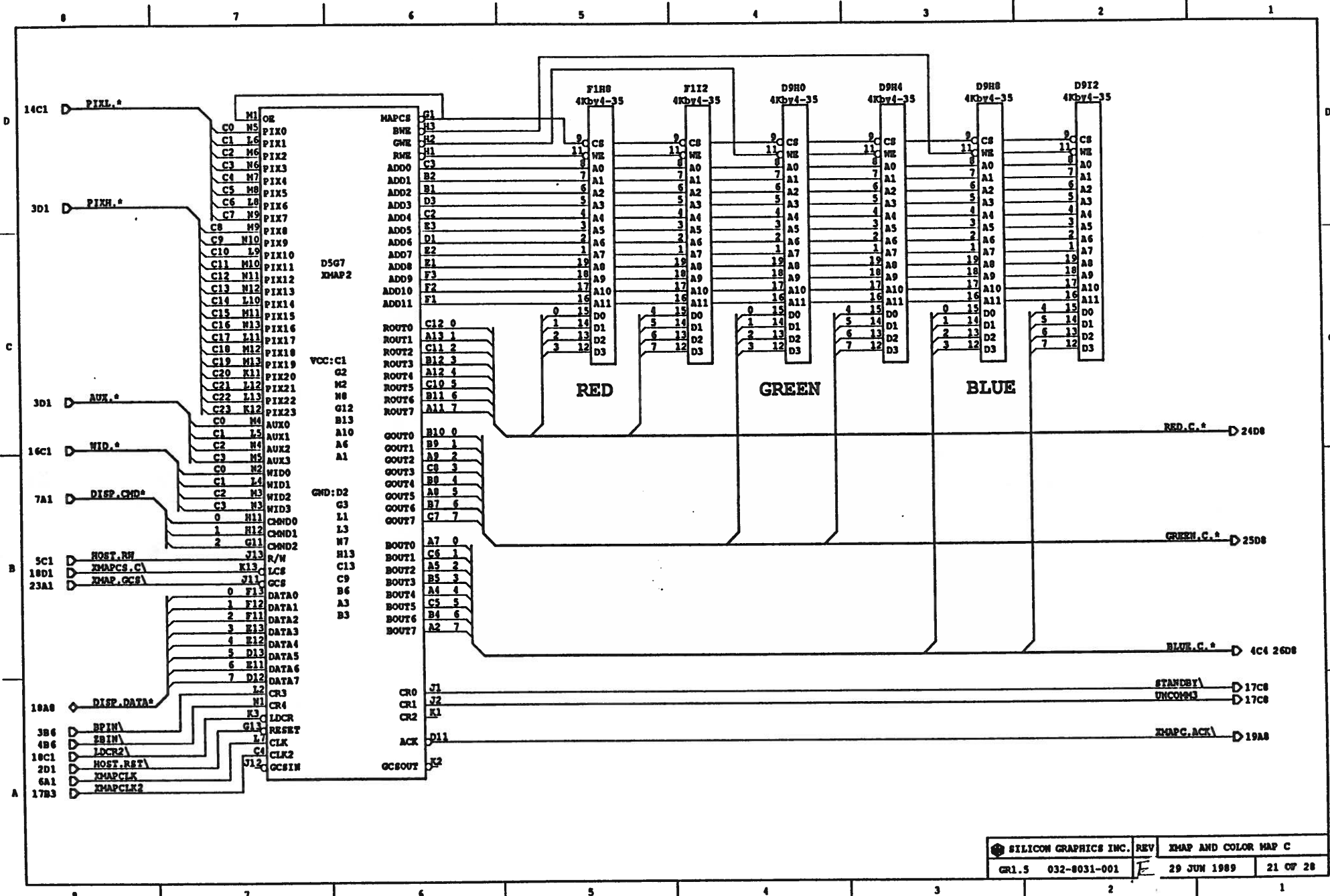
OL0 20A0 24C0 25C0 26C0
OL1 21C0 25C0 26C0 27B0

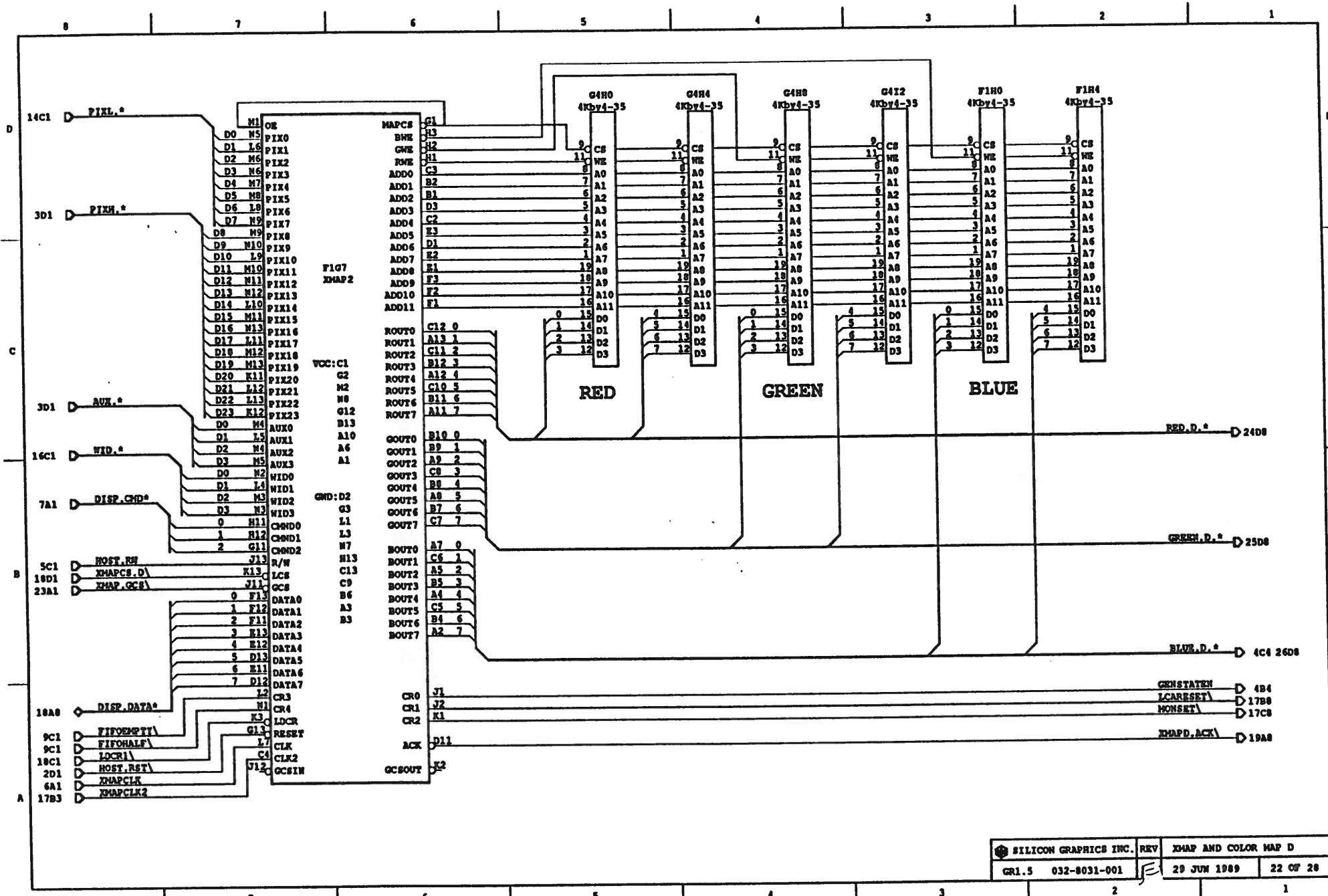
27D1 PUP10
2D1 HOST.RAT
VIDCKENA 17B5
VIDCKENS 17B5

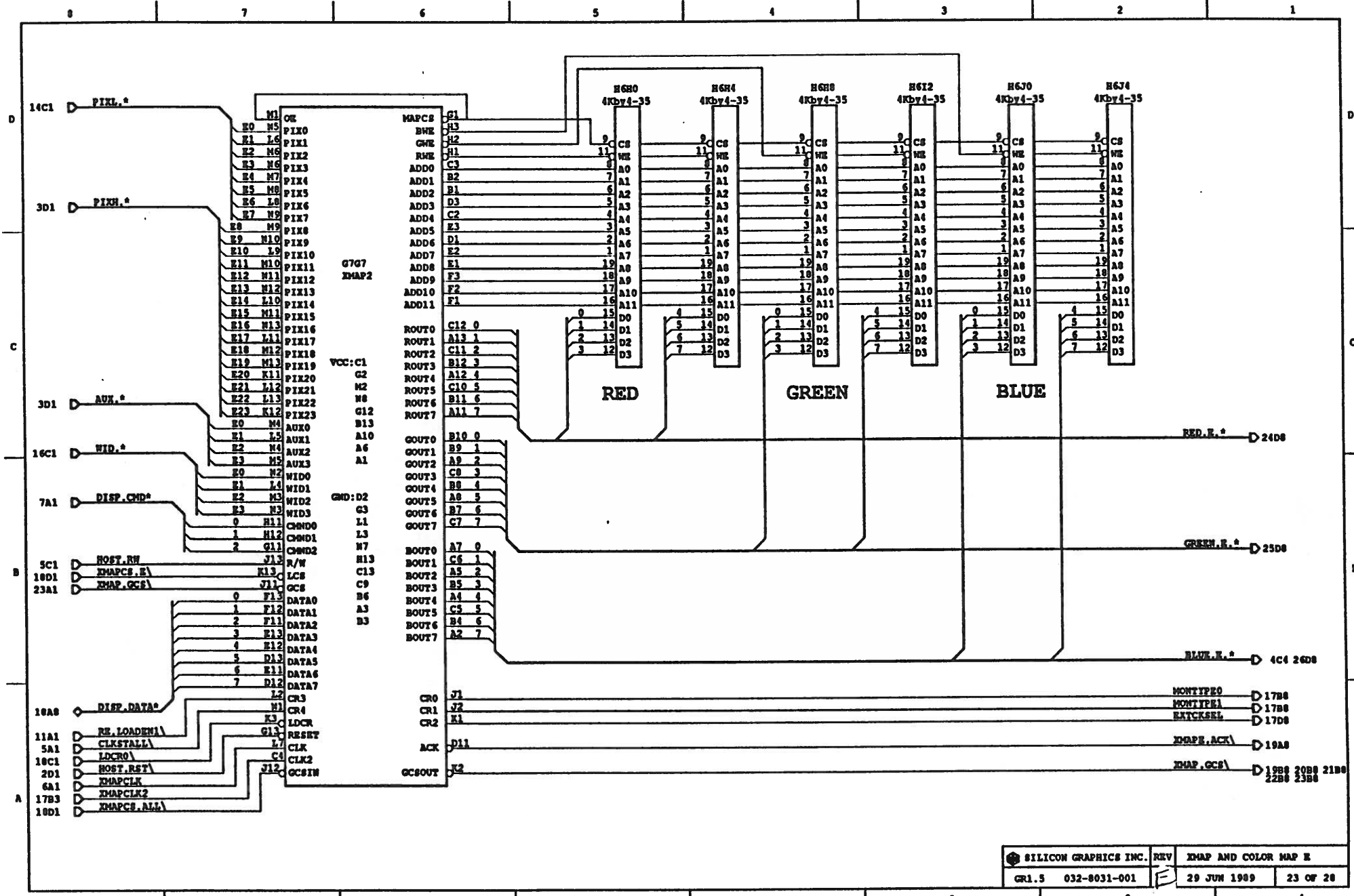


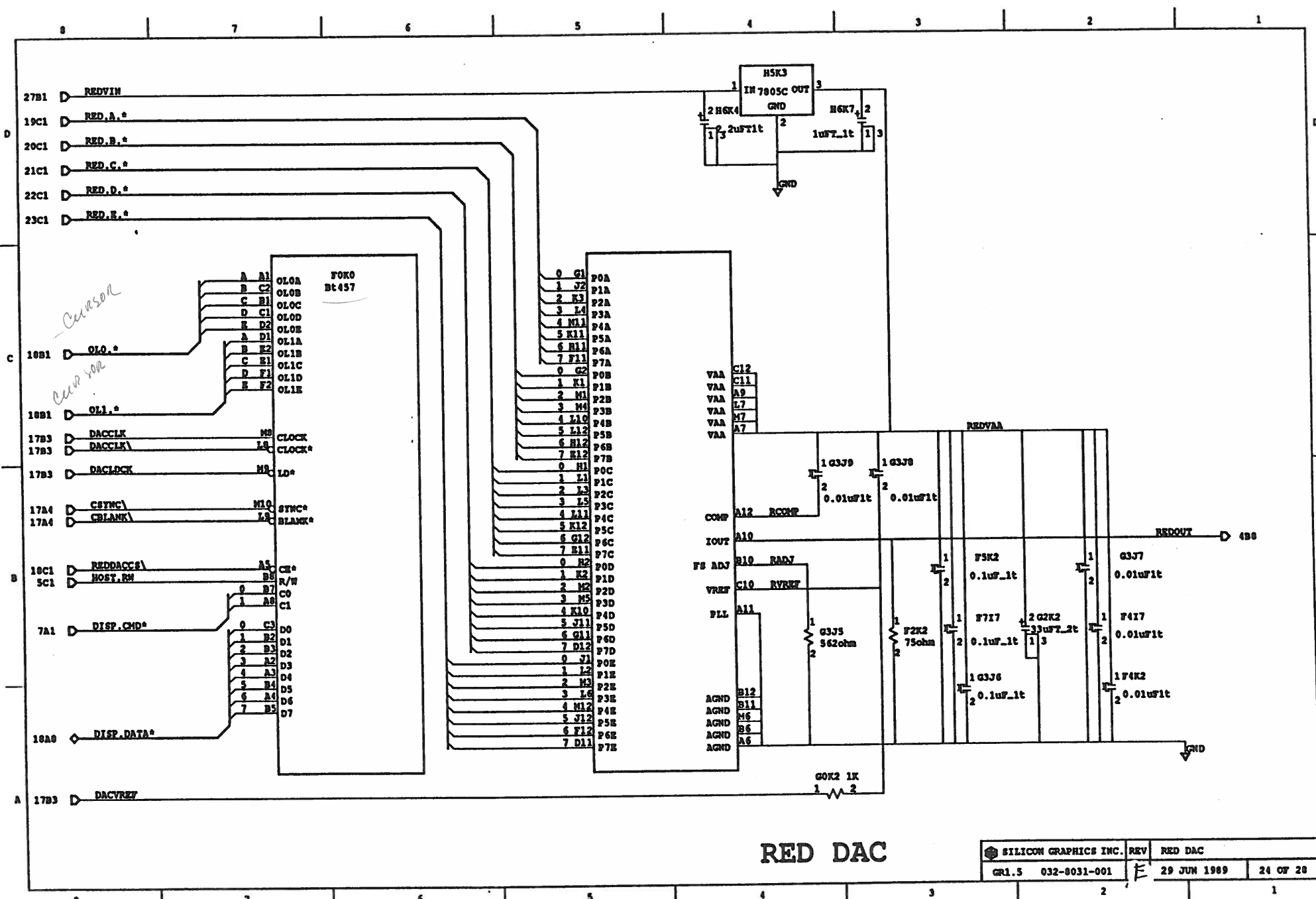


SILICON GRAPHICS INC.	REV	XMAP AND COLOR MAP B	
	GR1.5 032-8031-001	E	29 JUN 1989 20 OF 28



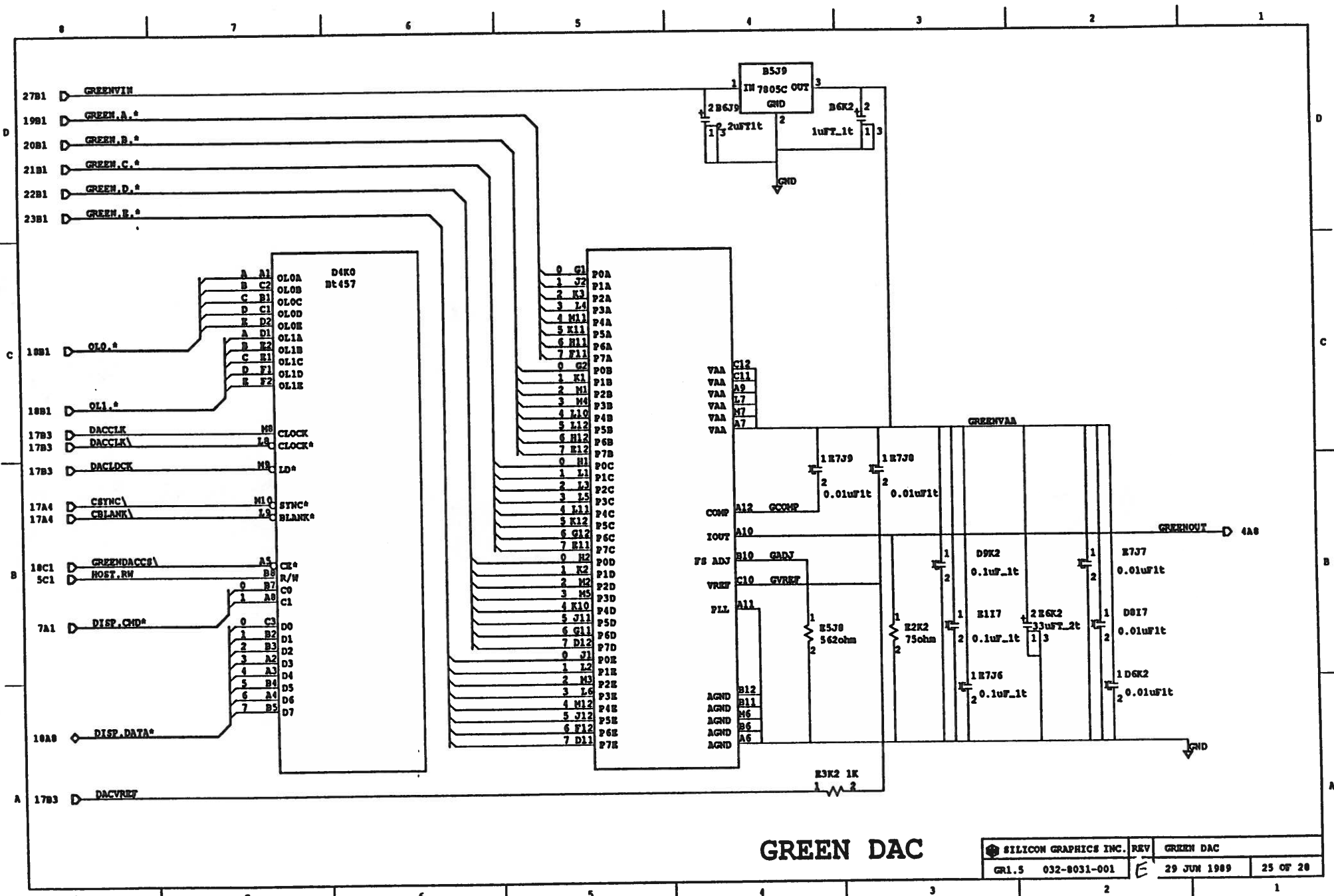


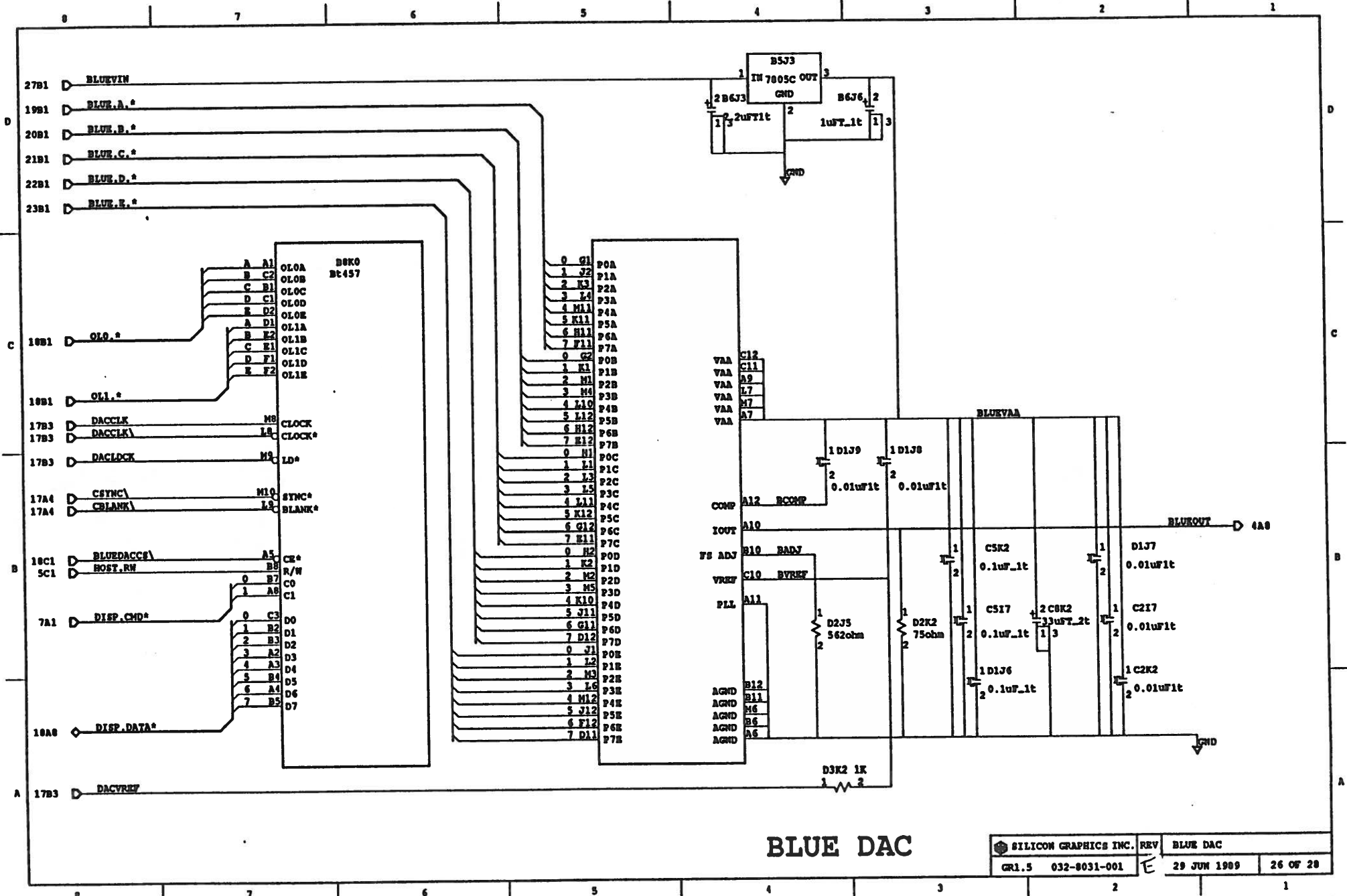




RED DAC

SILICON GRAPHICS INC.		REV	RED DAC	
GR1.5	032-8031-001	E	29 JUN 1989	24 OF 28





BLUE DAC

SILICON GRAPHICS INC.		REV	BLUE DAC	
GR1.5	032-8031-001	E	29 JUN 1989	26 OF 28

