

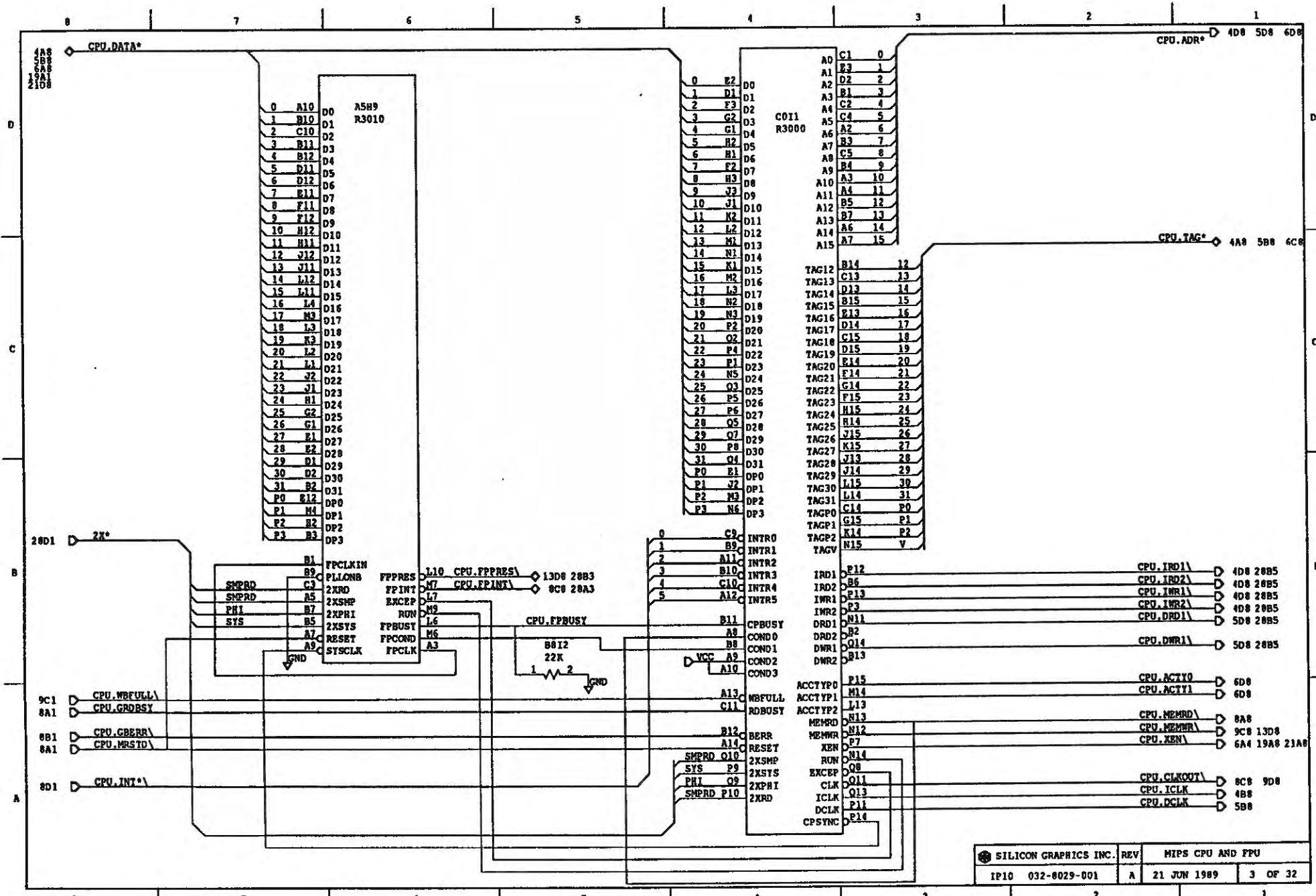
REVISIONS				
ZONE	REV	DESCRIPTION	DATE	APPROVED
	A	6373 mk		

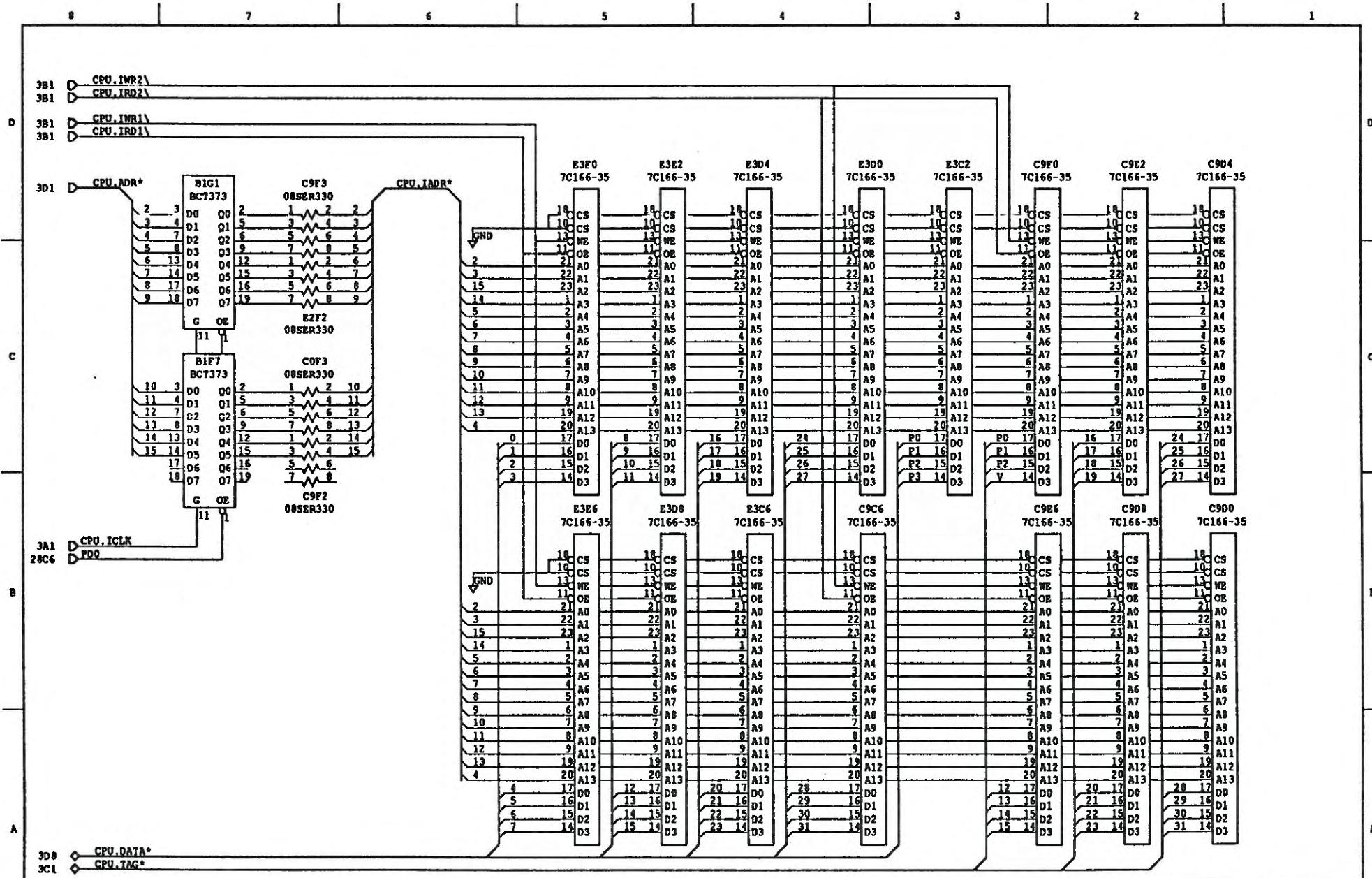
APPLICATIONS				SILICON GRAPHICS INC.				
		drv		<h1>IP10</h1>				
		chk						
		iss.						
030-8029	-----			NOM.	DRAWING NUMBER	REV	DATE	SHEET
NEXT ASSEMBLY	USED ON	APPROVALS	DATE	IP10	032-8029-001	A	21 JUN 1989	1 OF 32

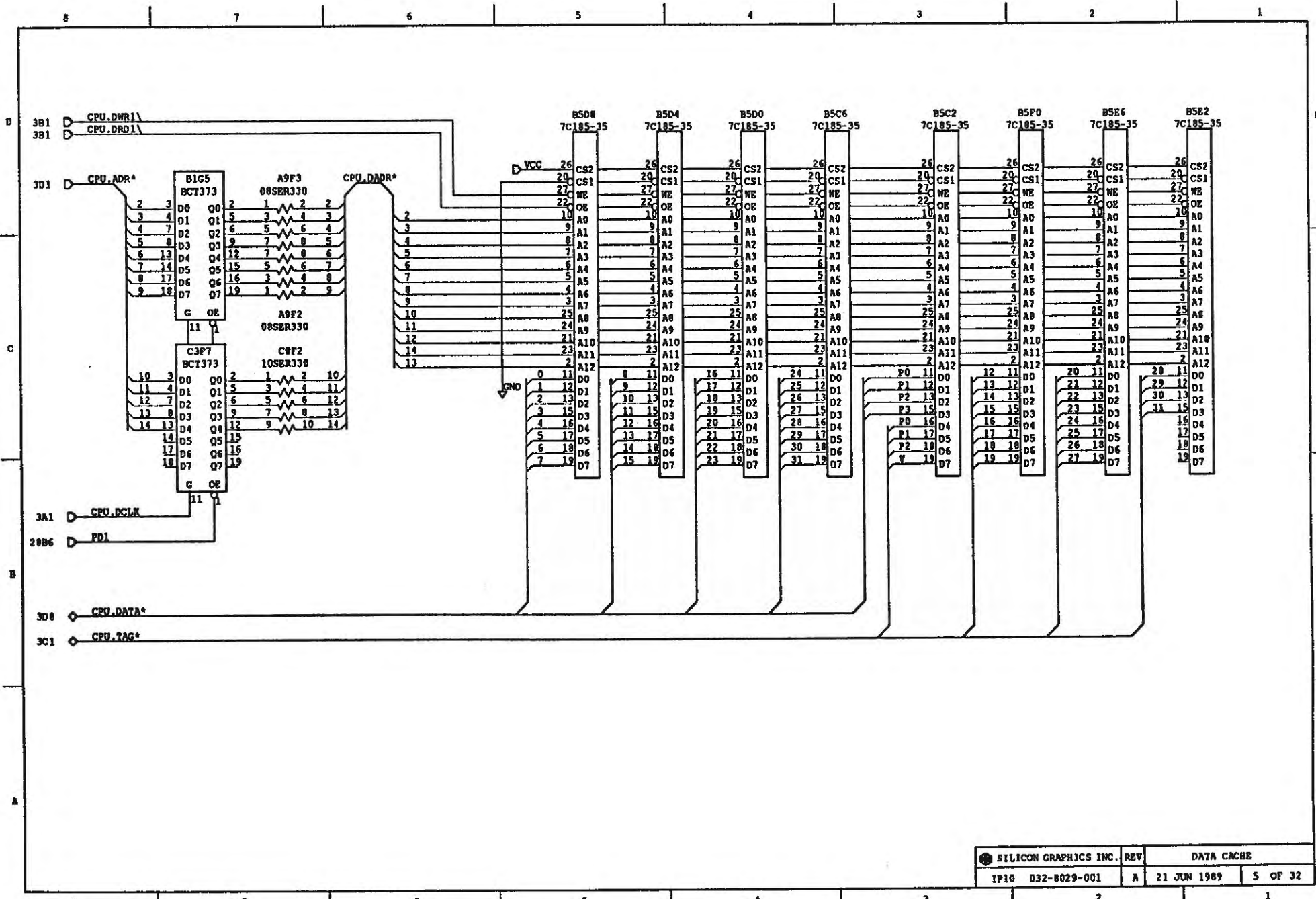
31 VME BUS TERMINATIONS

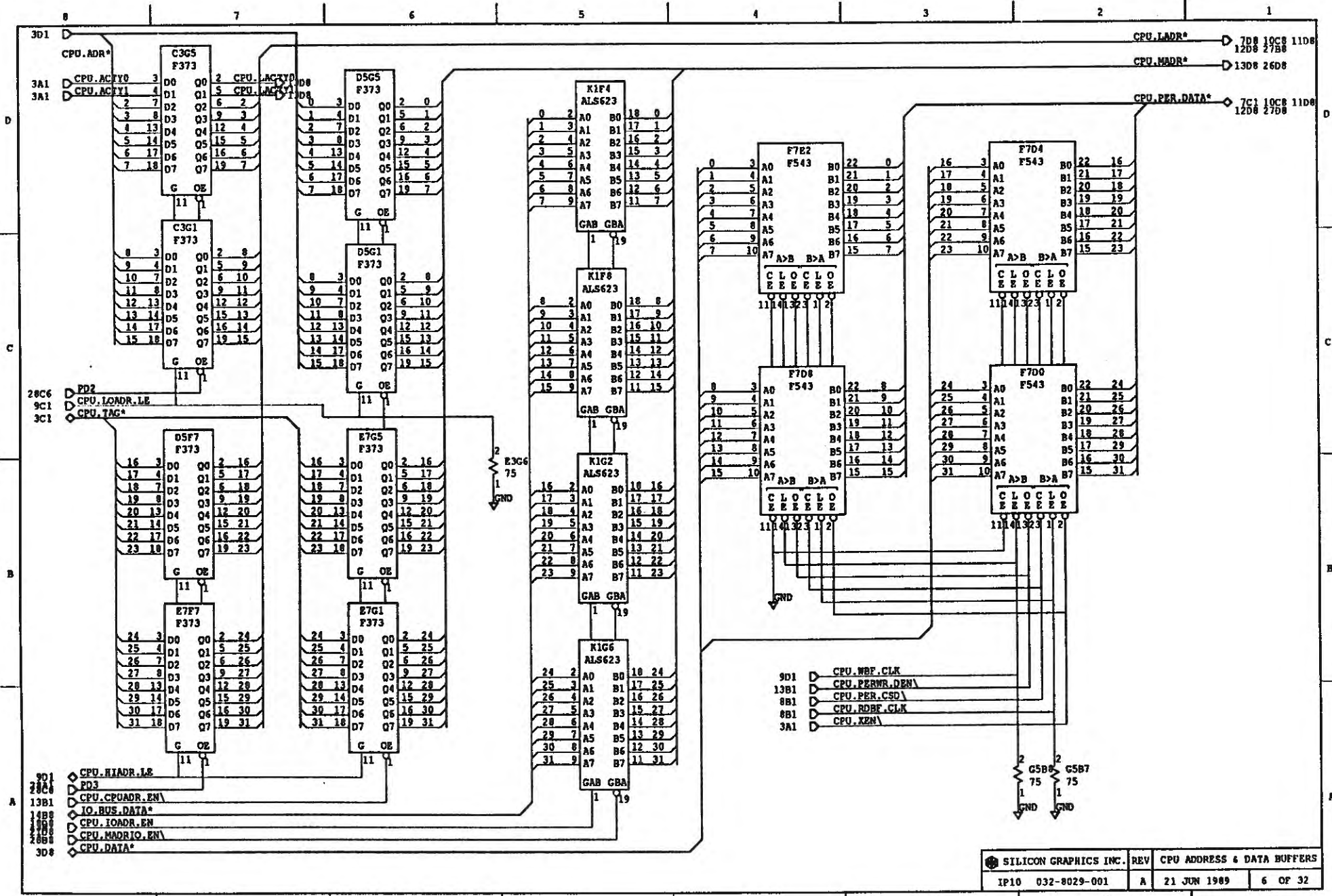
PAGE # DESCRIPTION

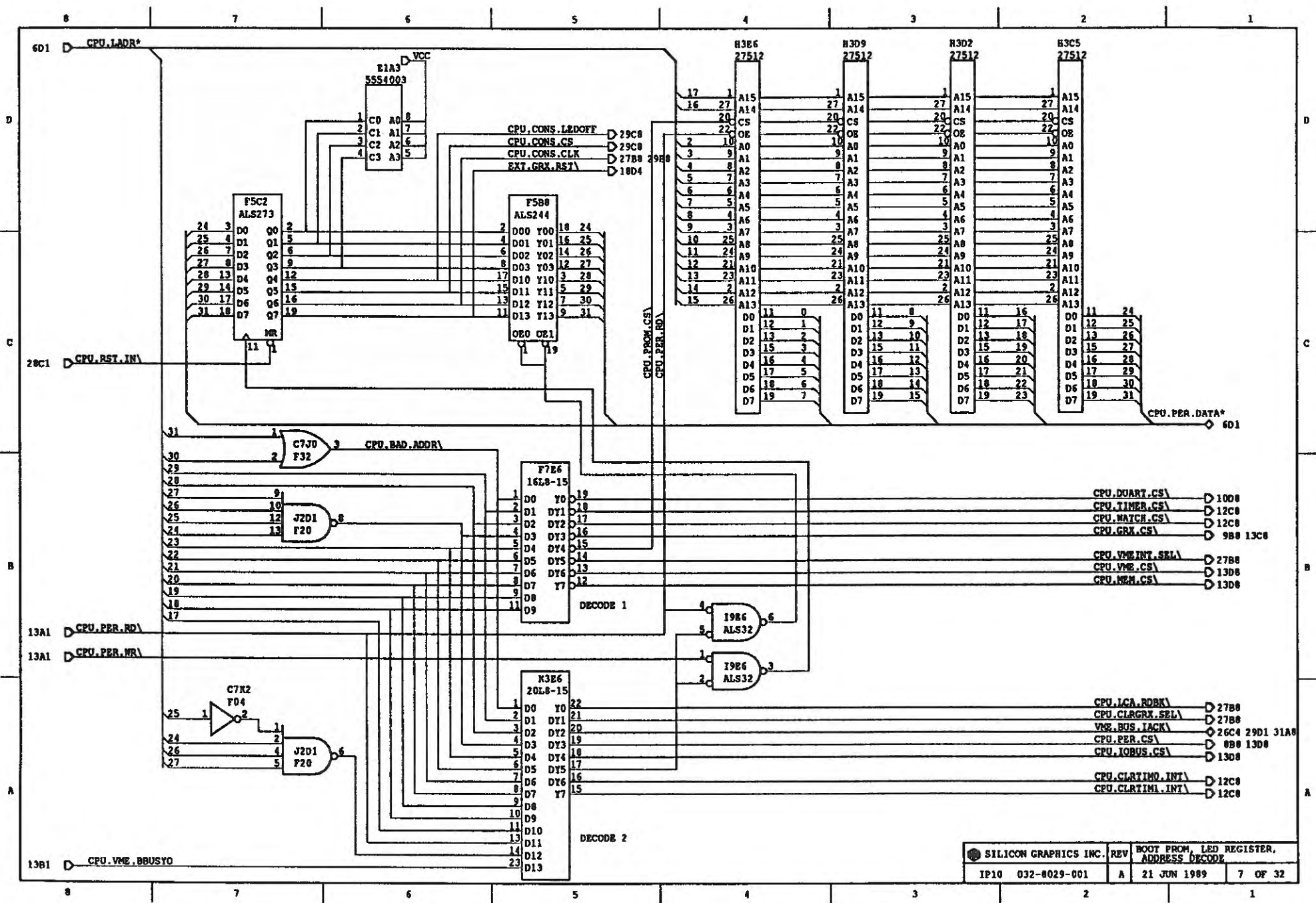
03	CPU AND FPU
04	INSTRUCTION CACHE
05	DATA CACHE
06	CPU ADDRESS AND DATA BUFFERS
07	BOOT PROM, LED REGISTER, ADDRESS DECODE
08	CPU INTERRUPTS
09	CPU BUFFER ENABLES
10	DUART0: KEYBOARD AND MOUSE
11	DUART1: PORTS 1 AND 2
12	TIMER AND RTC
13	CIL1 GATE ARRAY
14	IOC1 GATE ARRAY AND MAP
15	ETHERNET, SCSI AND PRINTER
16	AUDIO I/O
17	GRAPHICS I/F AND I/O CLOCKS
18	GRAPHICS BUFFERS AND PORT
19	RAS DECODE AND WE BUFFERS
20	RAS, CAS AND ADDRESS BUFFERS
21	DATA BUFFERS, WRITE ENABLES, PARITY GENERATION AND CHECK
22	MEMORY BANK 0
23	MEMORY BANK 1
24	MEMORY BANK 2
25	MEMORY BANK 3
26	VME DATAPATH
27	INTERRUPT CONTROLLER
28	CLOCKS, PUPS AND PUDS
29	EB1 AND SP2 CONNECTORS
30	SERIAL, POWER, ETHERNET, SCSI AND PRINTER CONNECTORS
31	VME BUS TERMINATIONS
32	PUPS AND PUDS

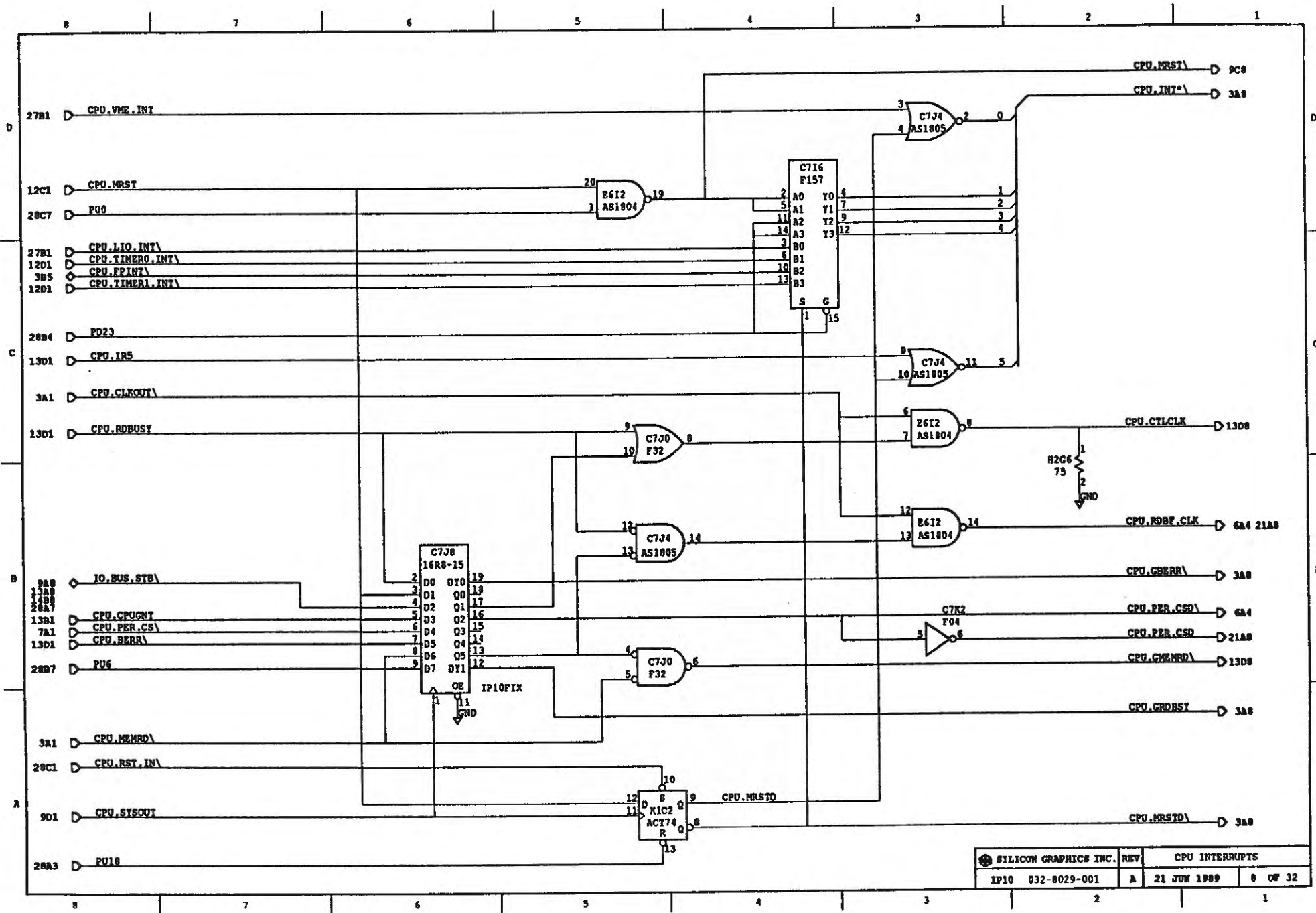




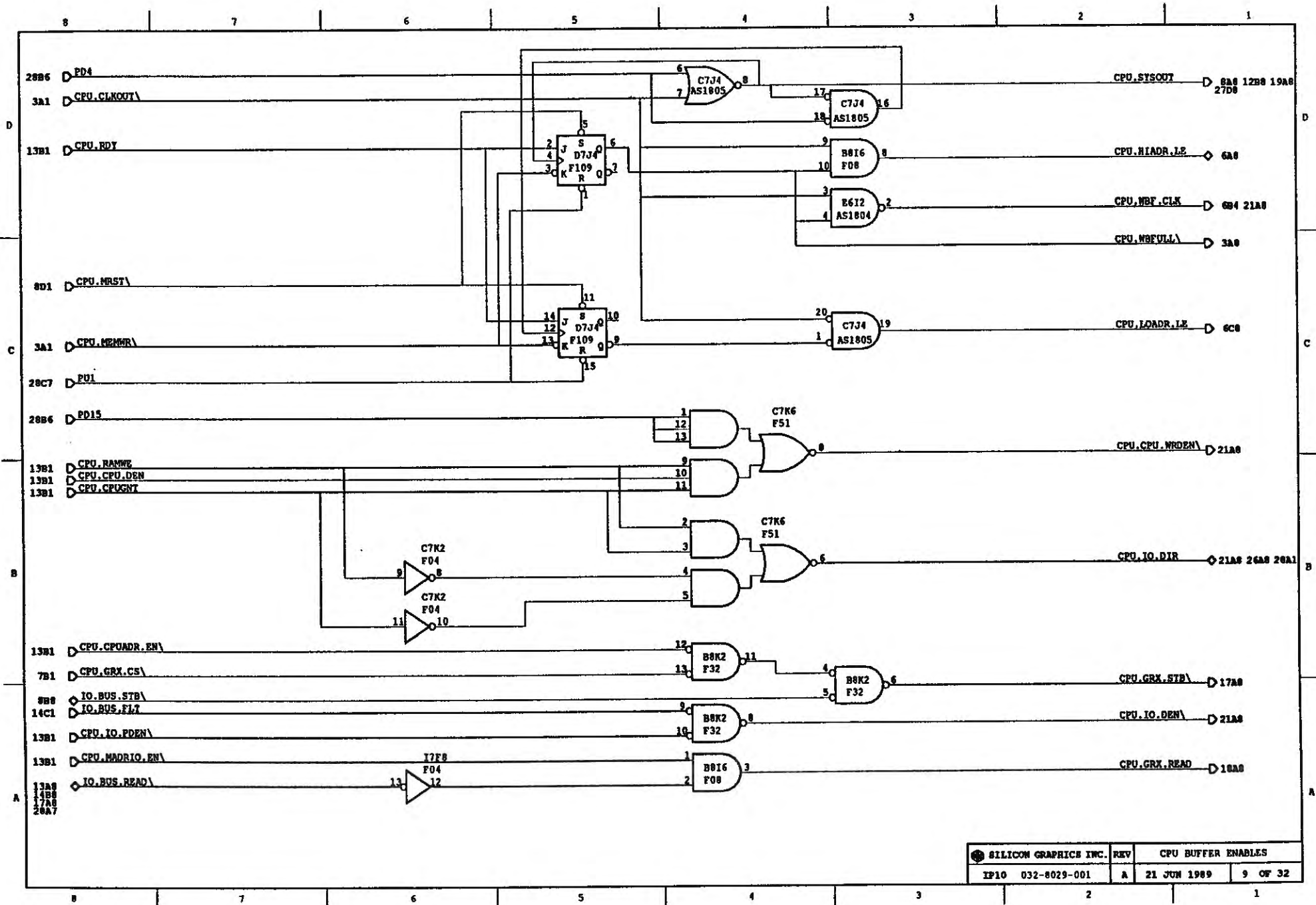




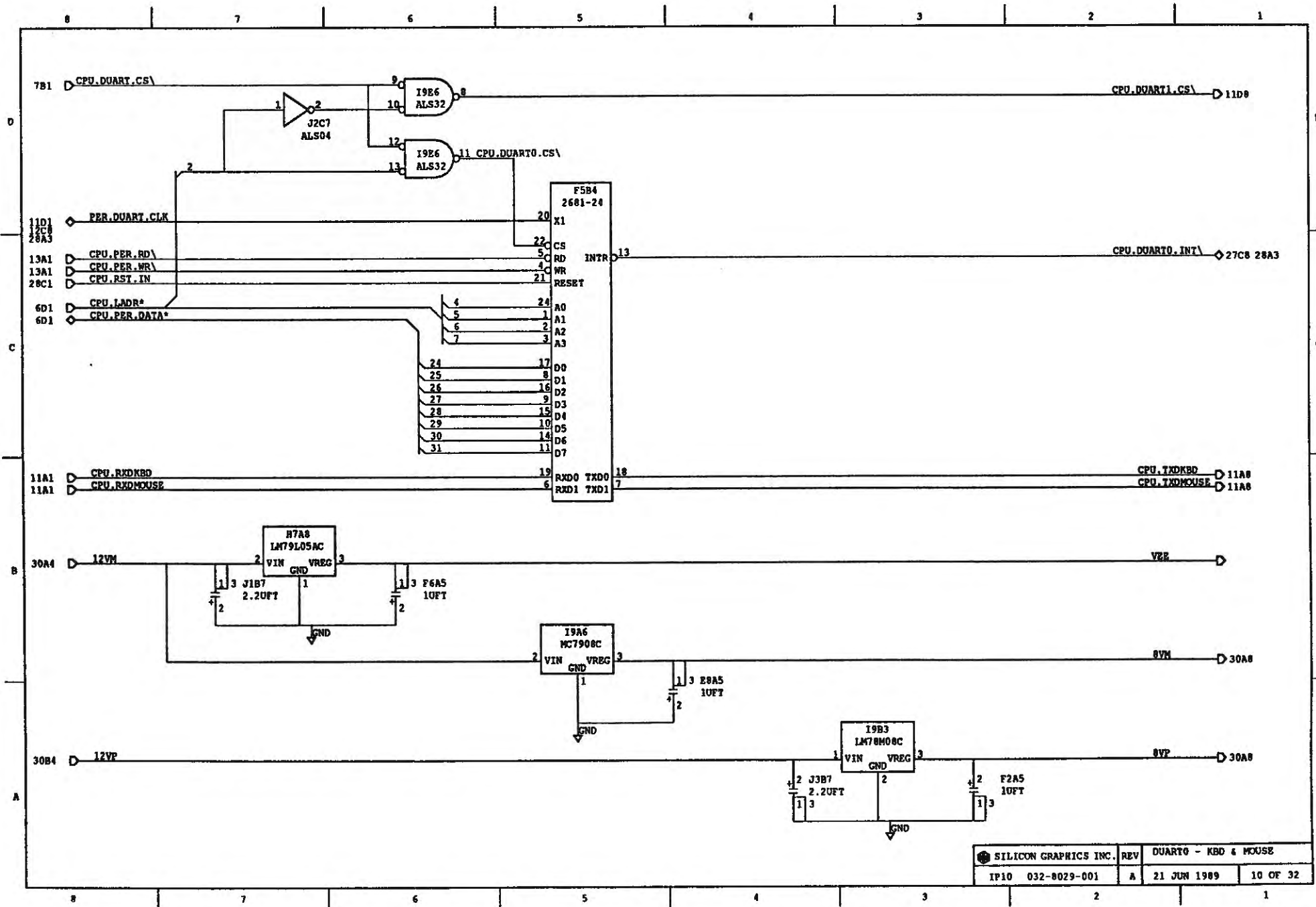


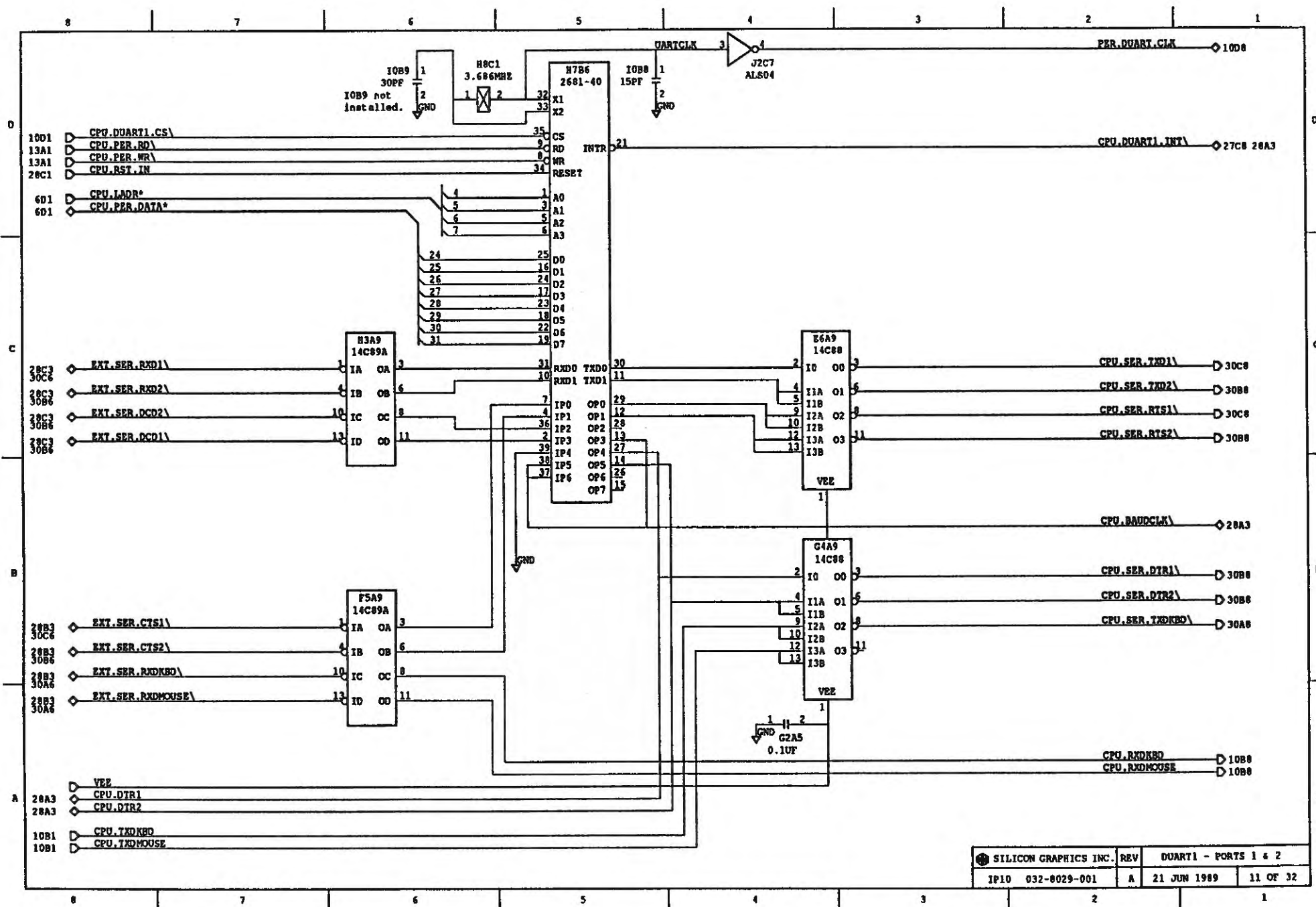


SILICON GRAPHICS INC.		REV	CPU INTERRUPTS	
IP10	032-8029-001	A	21 JUN 1989	8 OF 32

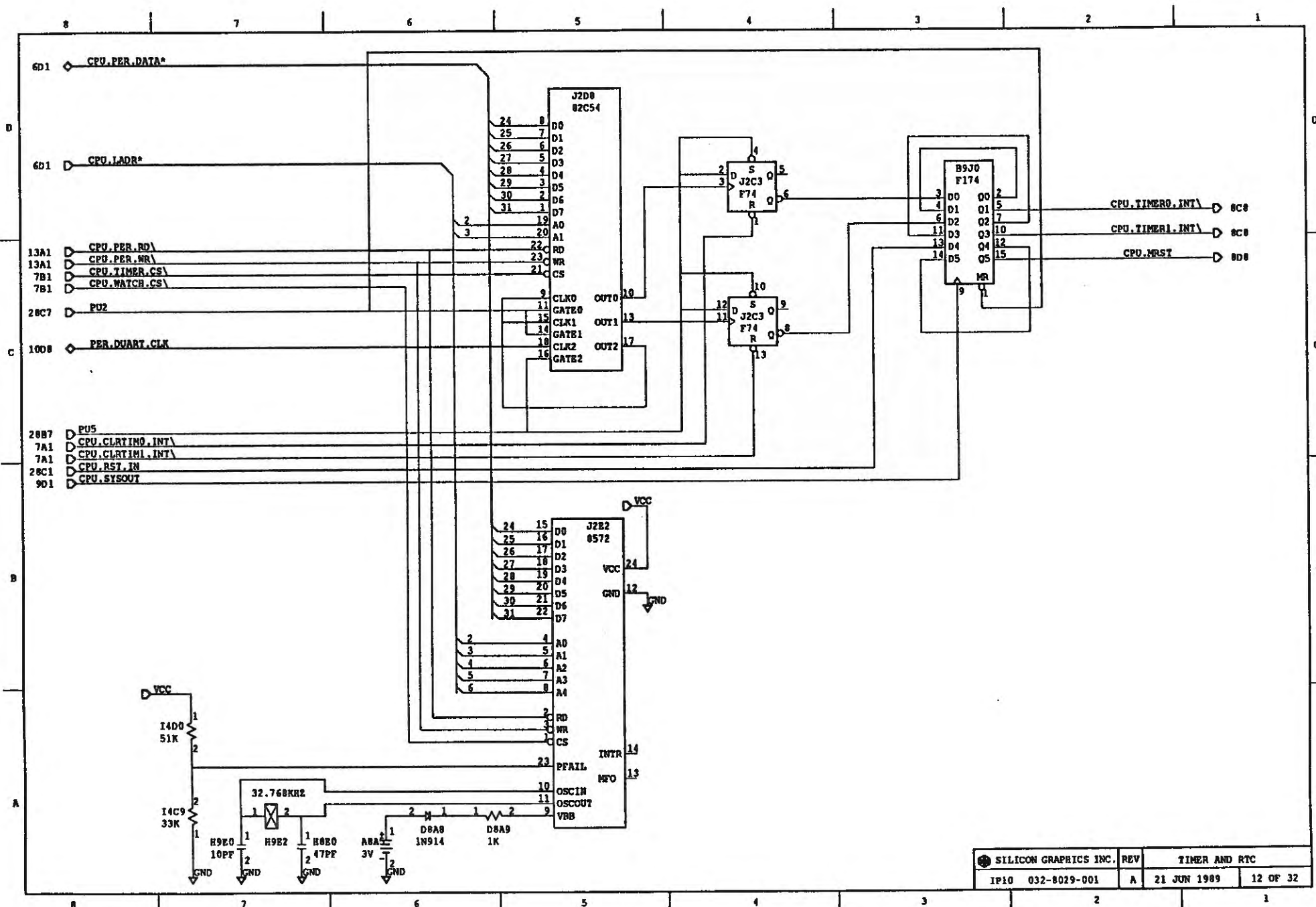


SILICON GRAPHICS INC.		REV	CPU BUFFER ENABLES	
IP10	032-8029-001	A	21 JUN 1989	9 OF 32

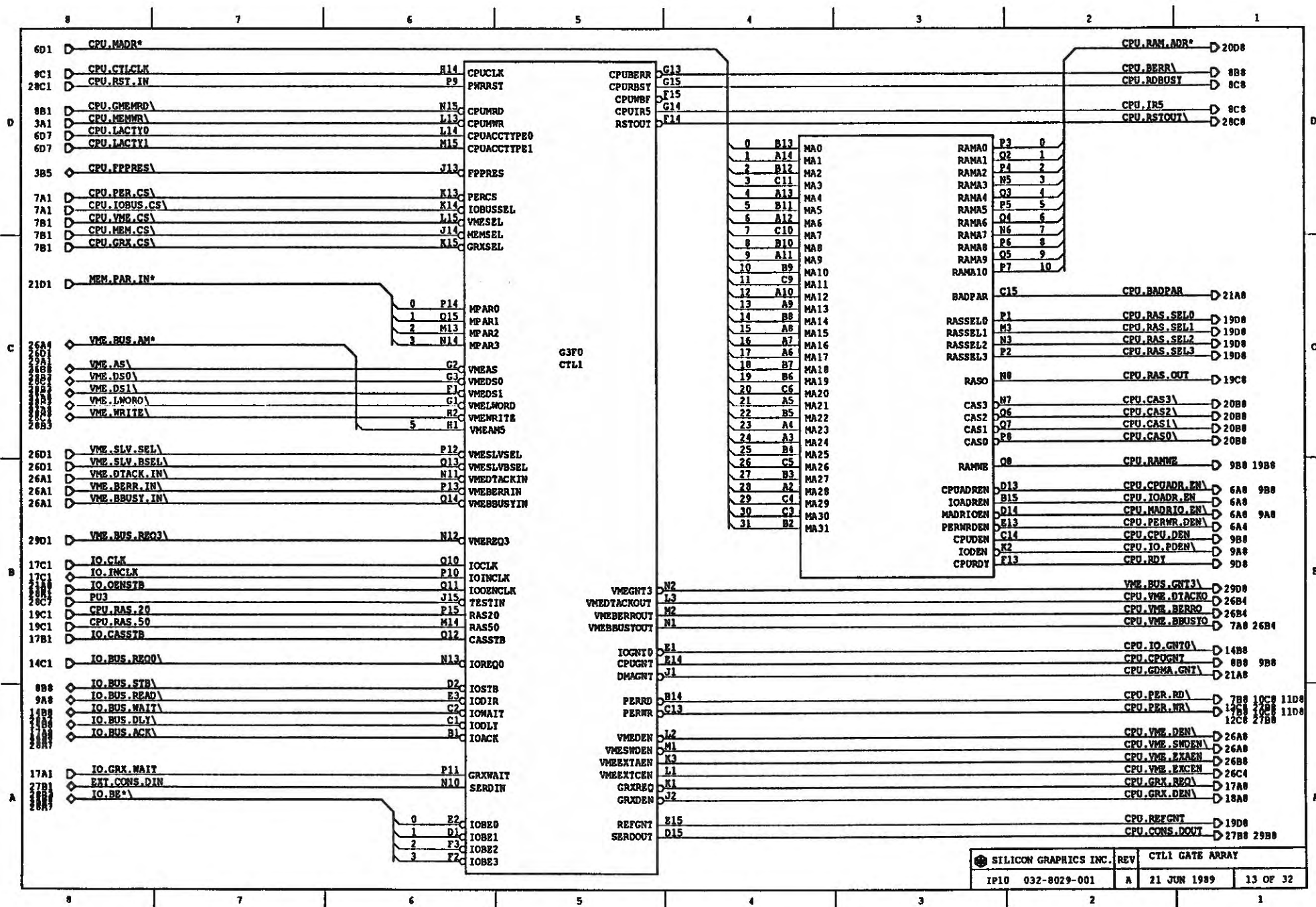


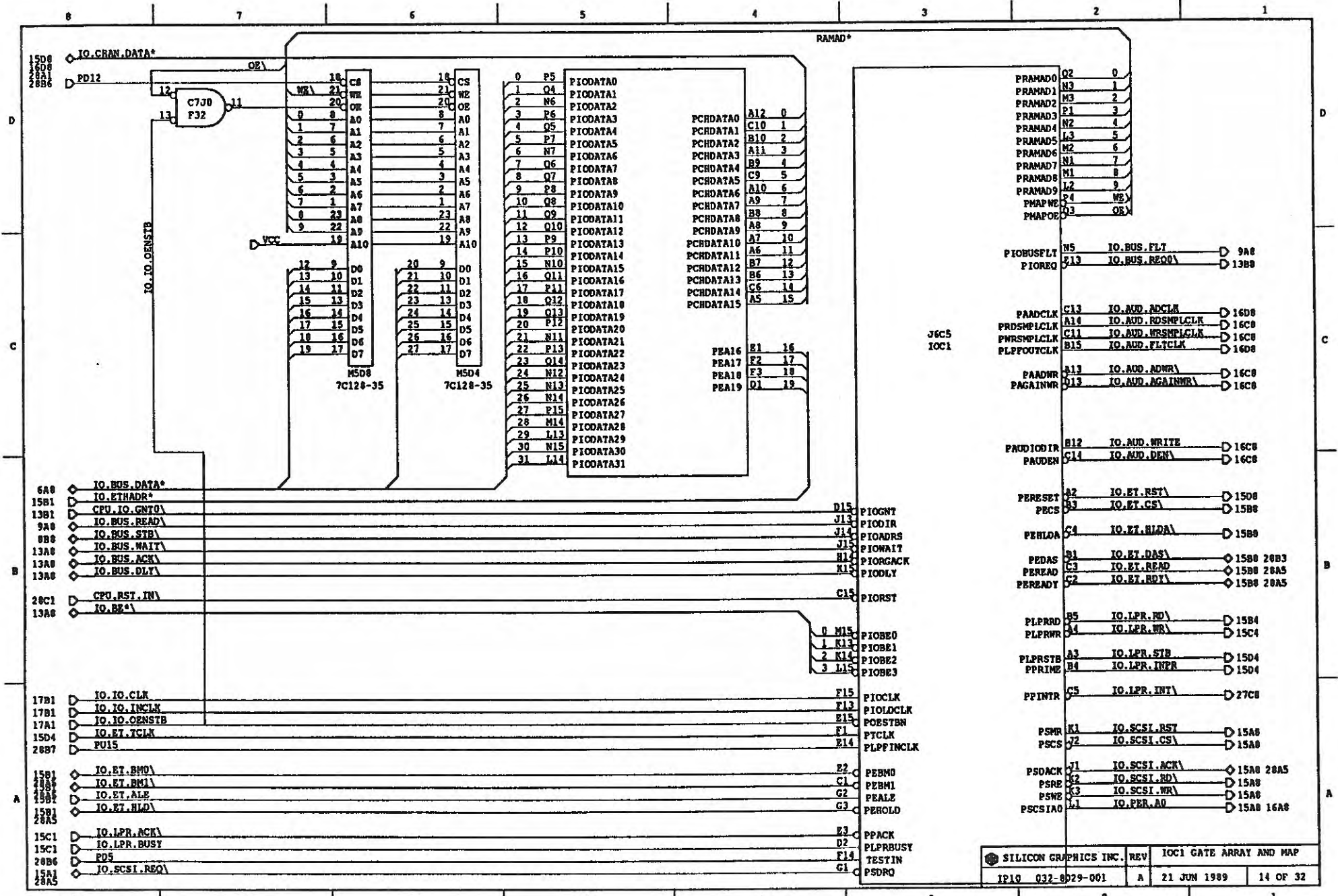


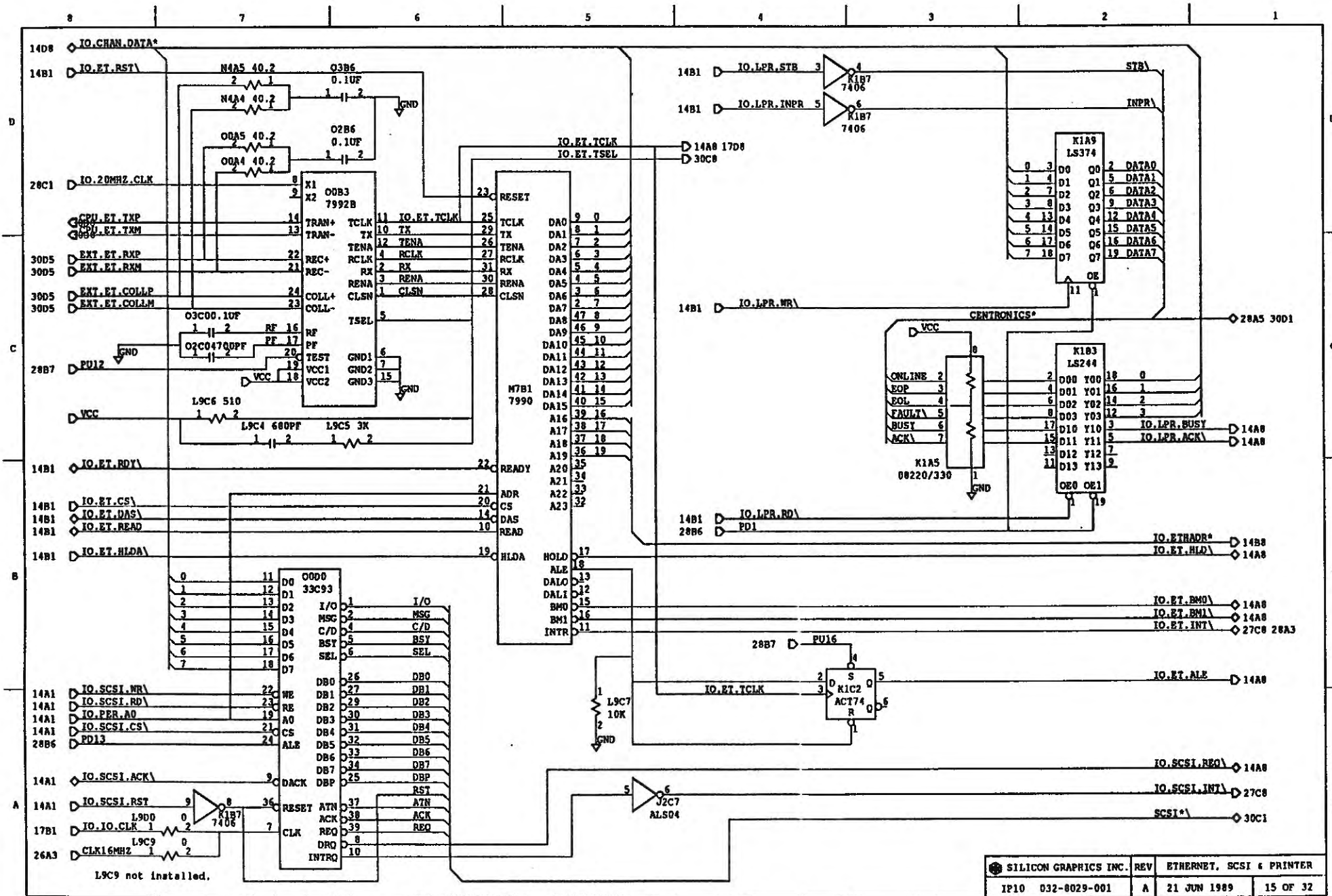
SILICON GRAPHICS INC.		REV	DUART1 - PORTS 1 & 2	
IP10	032-8029-001	A	21 JUN 1989	11 OF 32



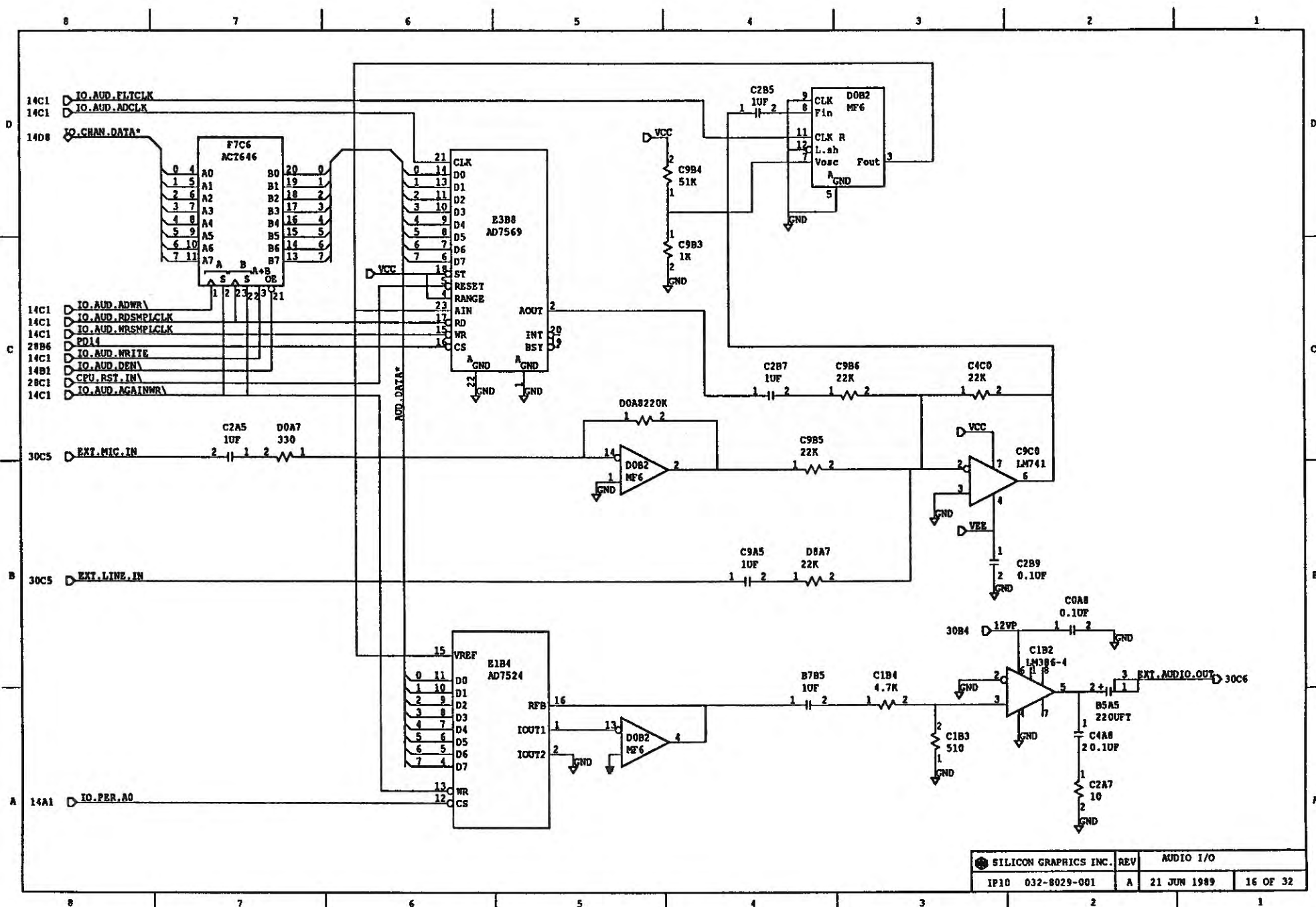
SILICON GRAPHICS INC.		REV	TIMER AND RTC	
IP10	032-8029-001	A	21 JUN 1989	12 OF 32

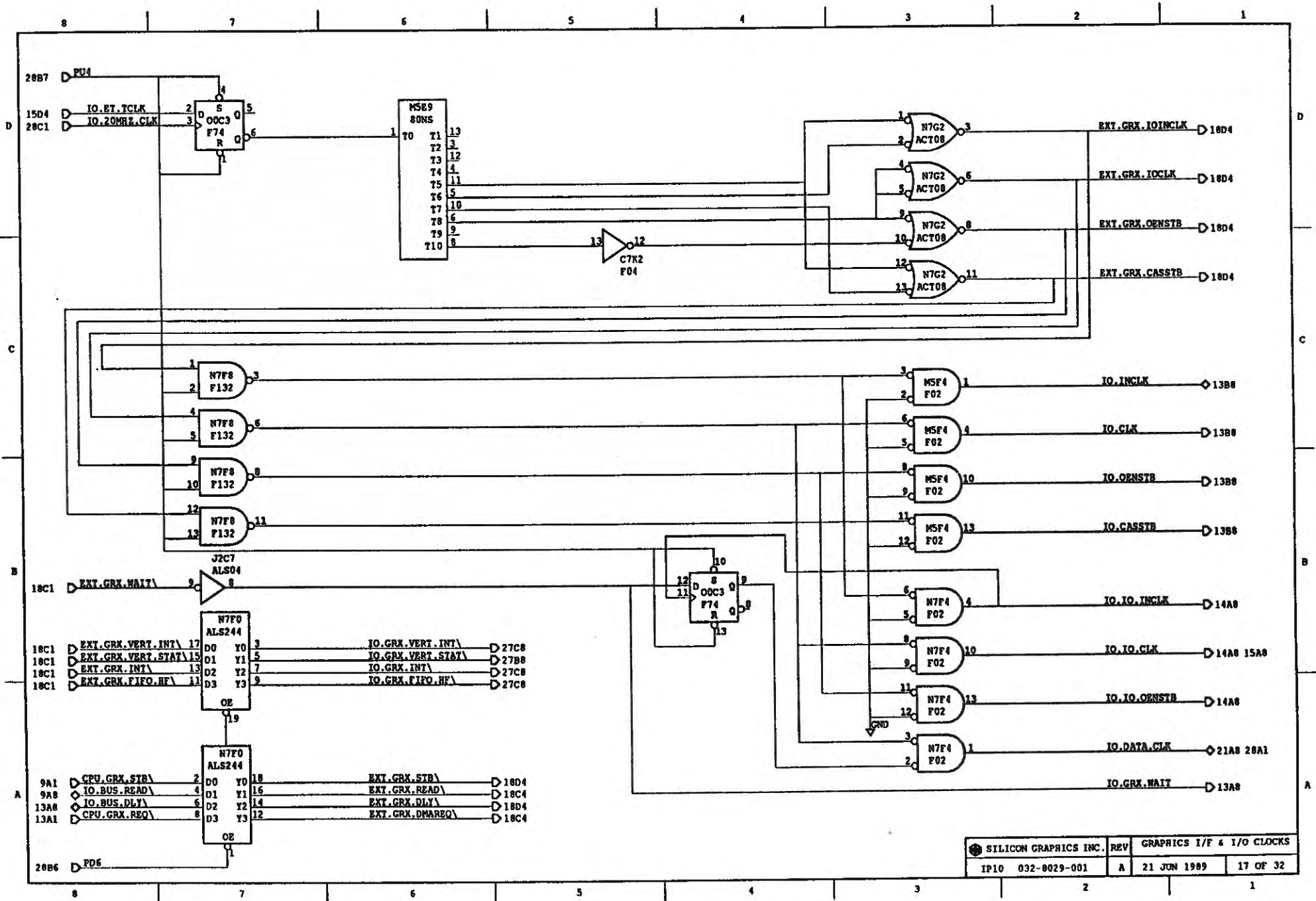




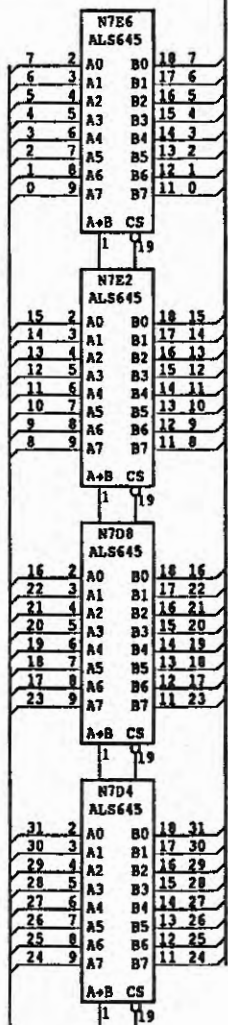


L9C9 not installed.





6A8 IO.BUS.DATA*

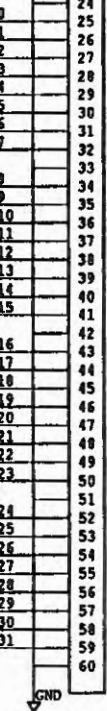
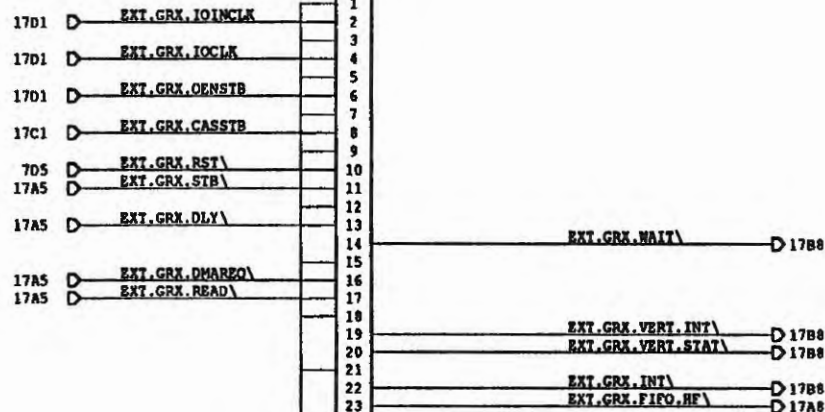


9A1 CPU.GRX.READ

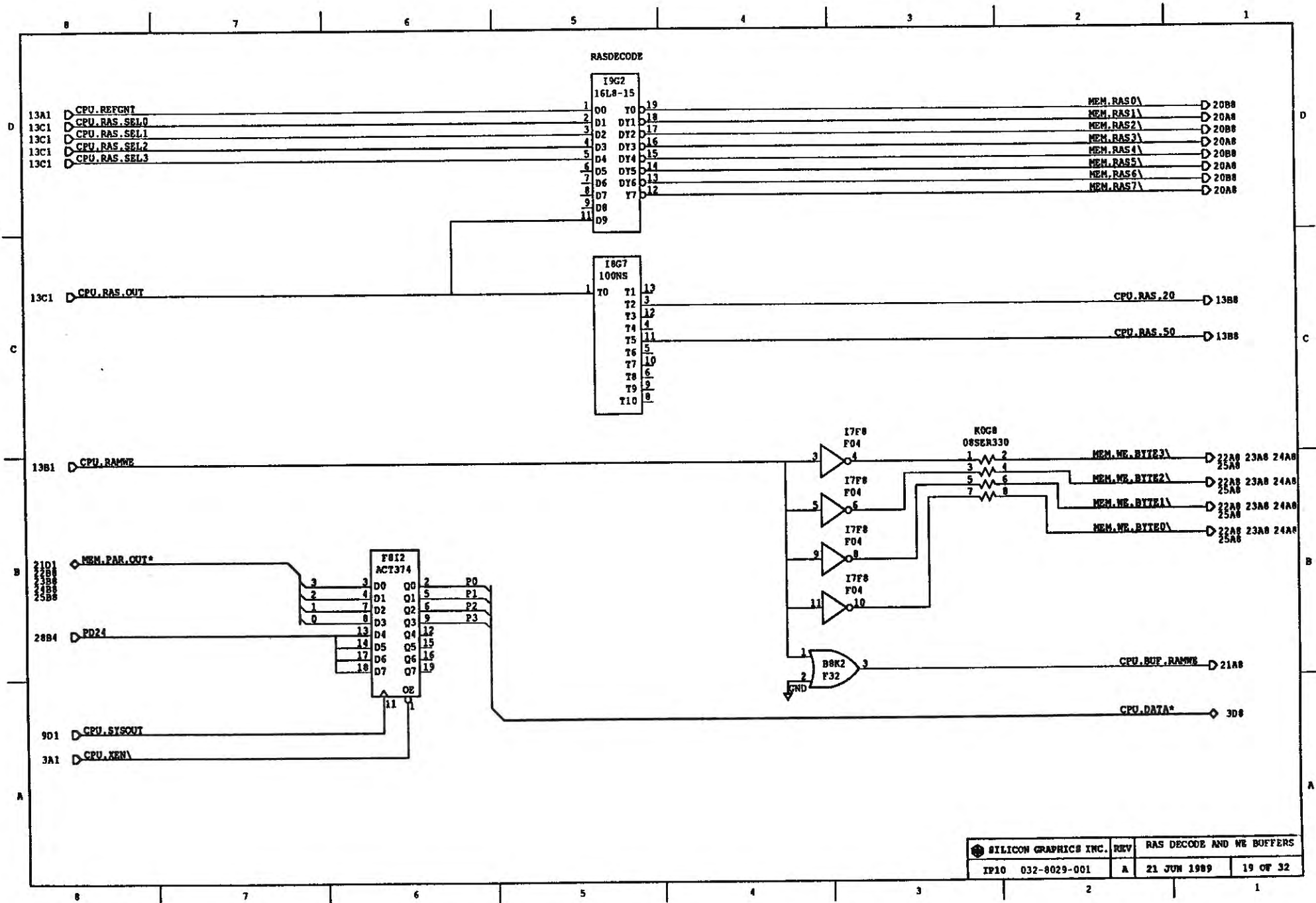
13A1 CPU.GRX.DEN\

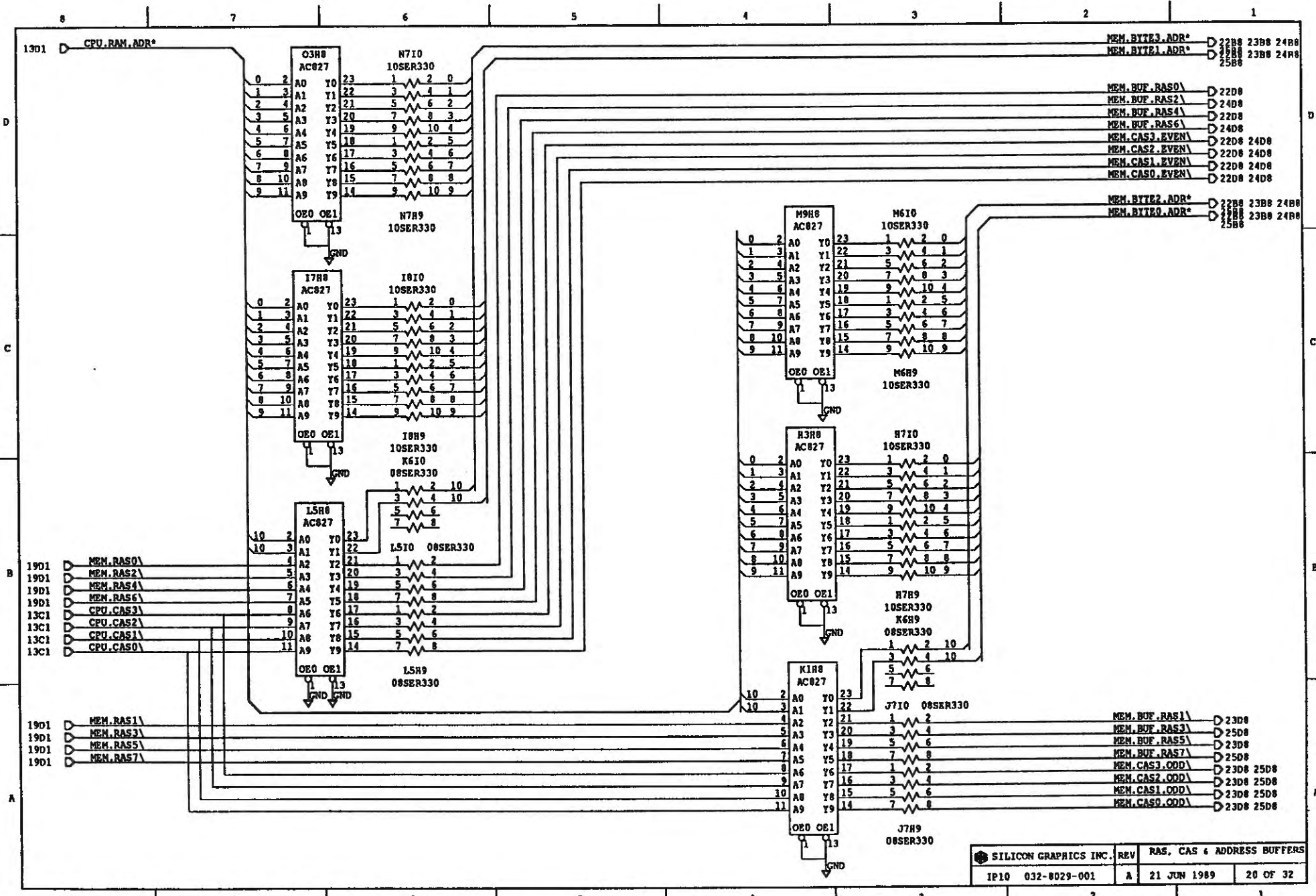
EXT.GRX.DATA*

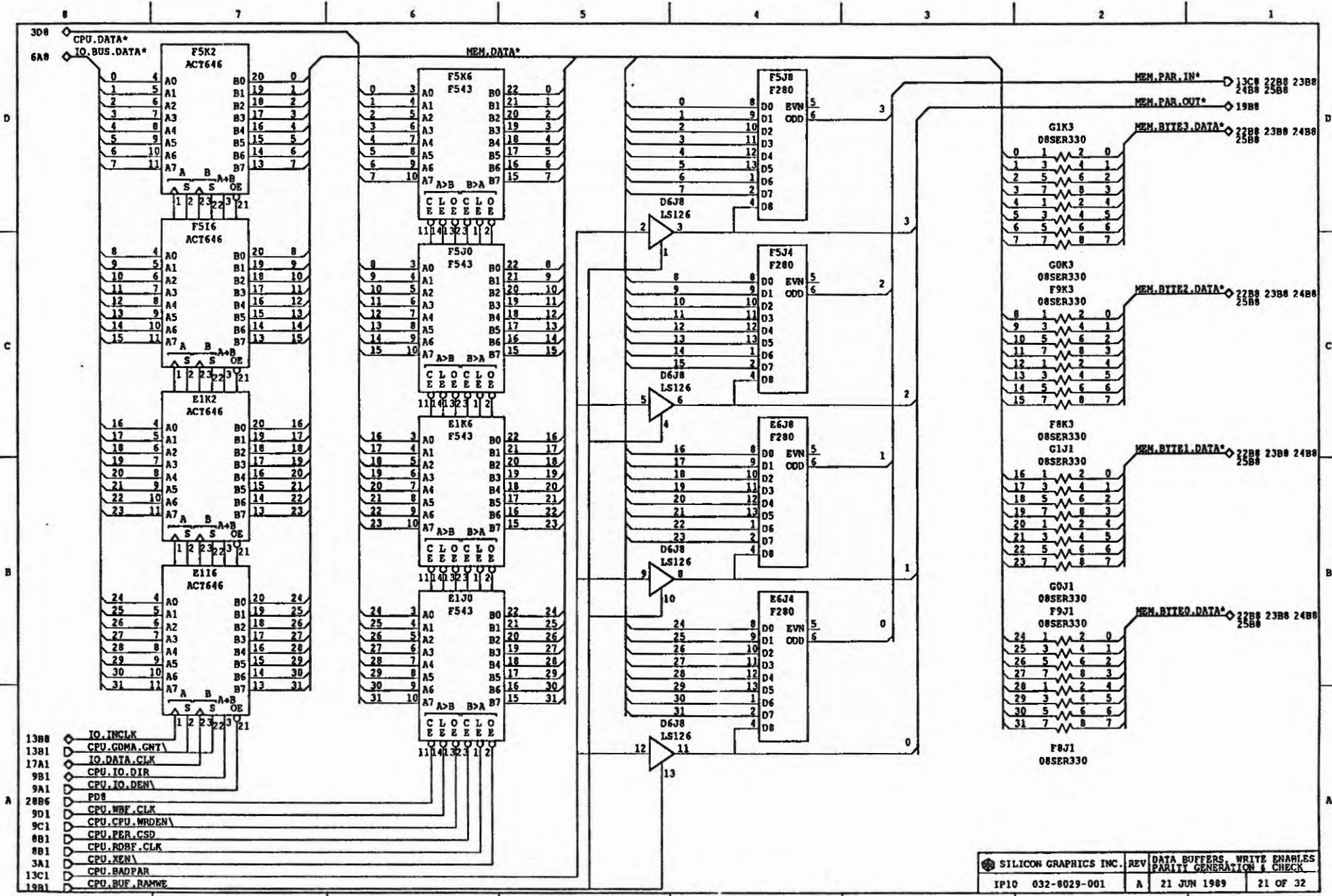
J4 HDR60



GRAPHICS PORT

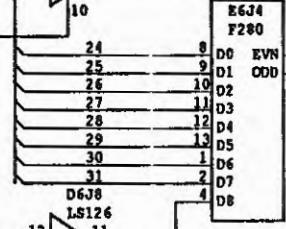
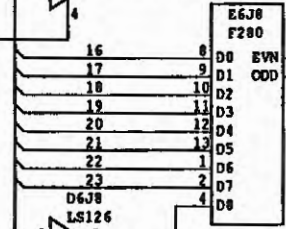
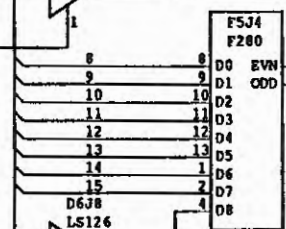
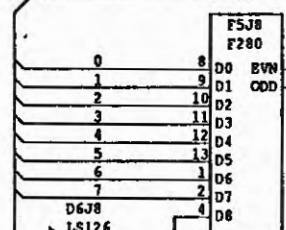
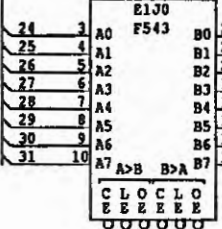
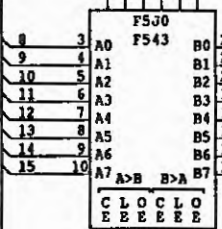
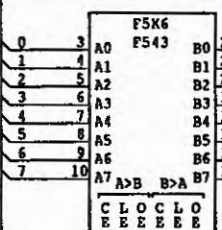
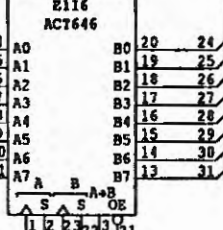
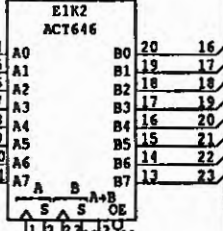
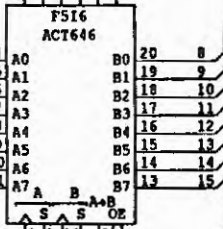
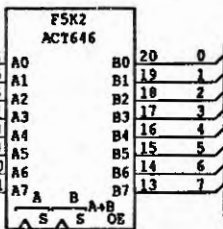






30B CPU.DATA*
6A0 IO.BUS.DATA*

MEM.DATA*



MEM.PAR.IN* 130B 228B 238B
248B 258B

MEM.PAR.OUT* 198B

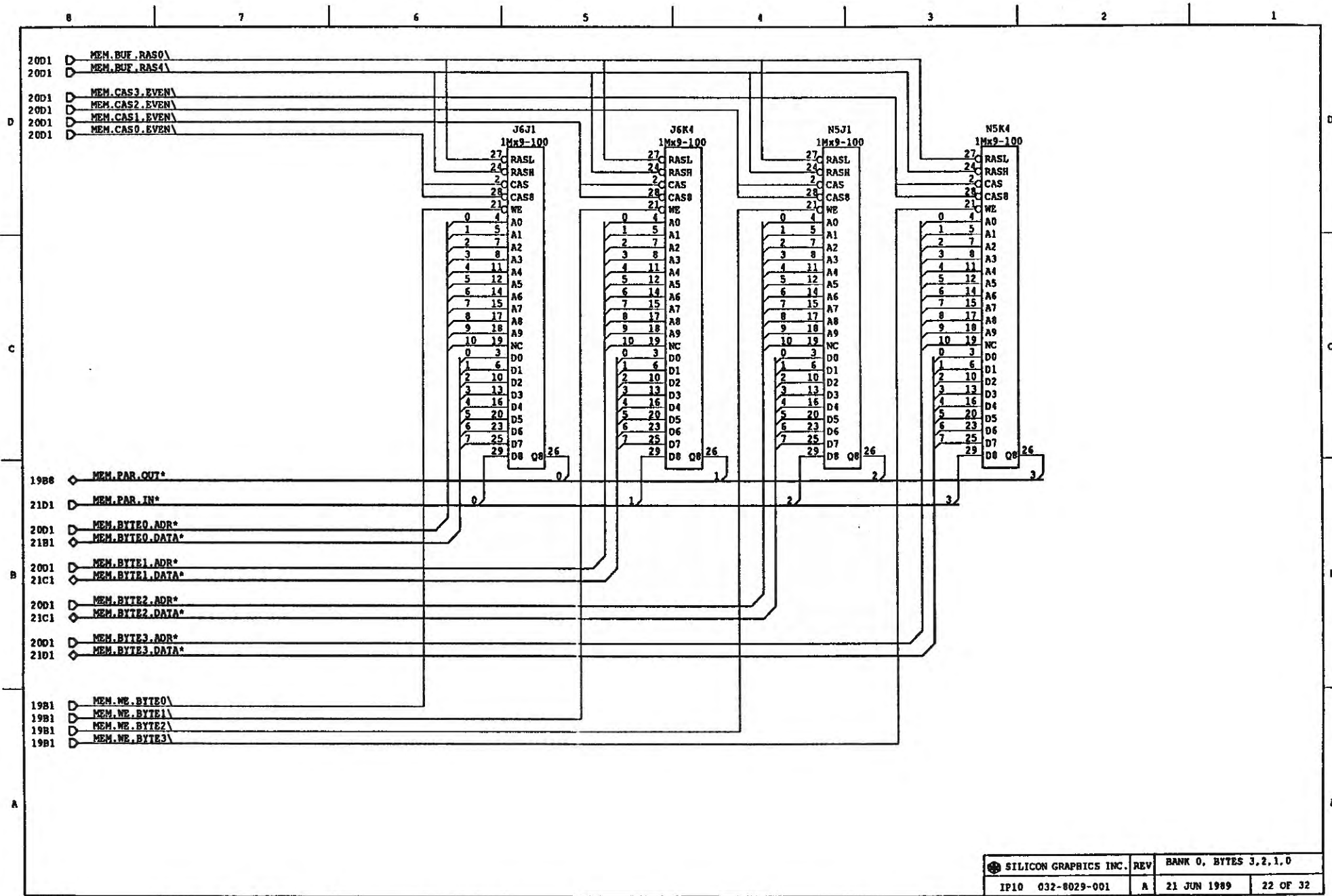
MEM.BYTE3.DATA* 228B 238B 248B
258B

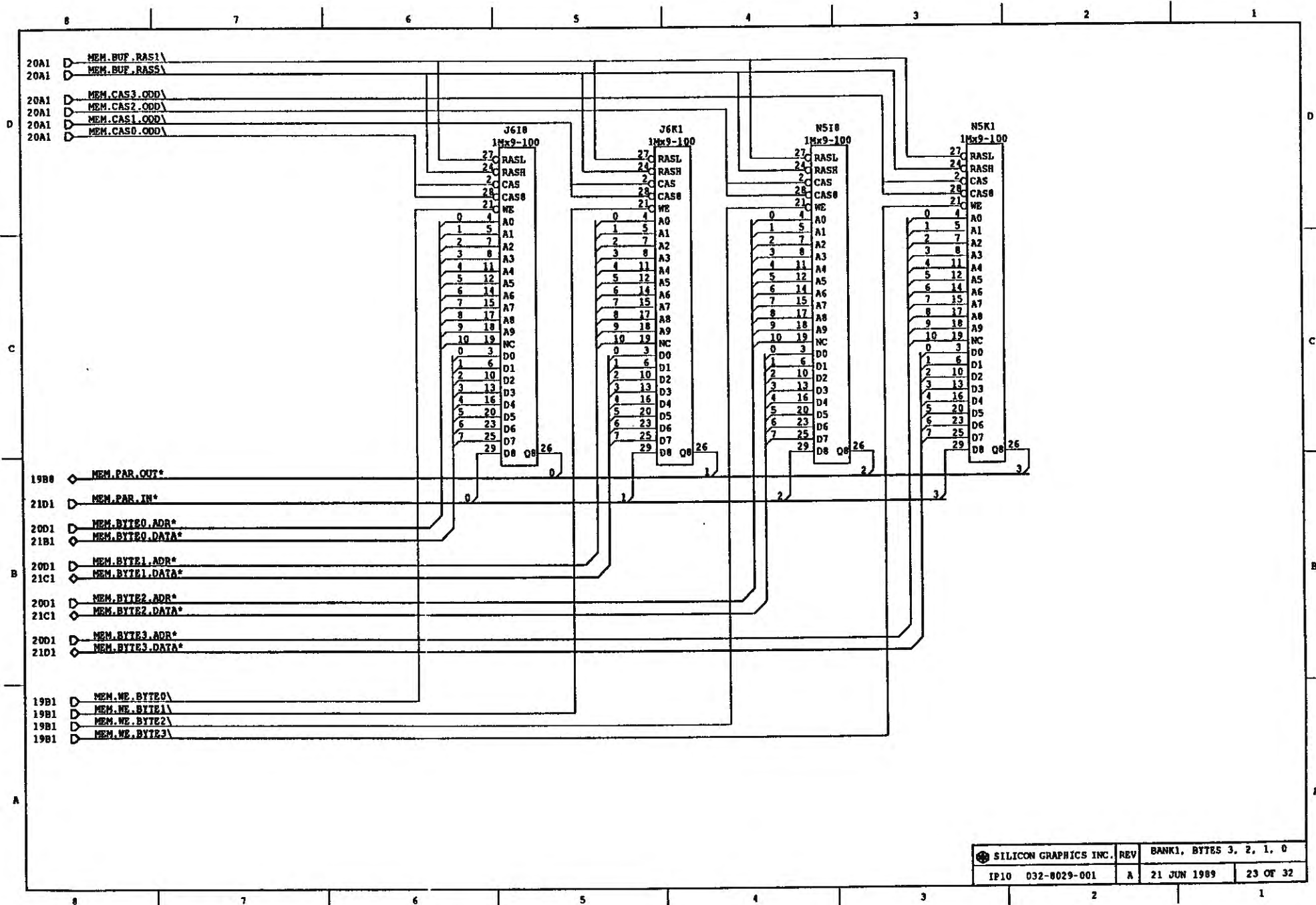
MEM.BYTE2.DATA* 228B 238B 248B
258B

MEM.BYTE1.DATA* 228B 238B 248B
258B

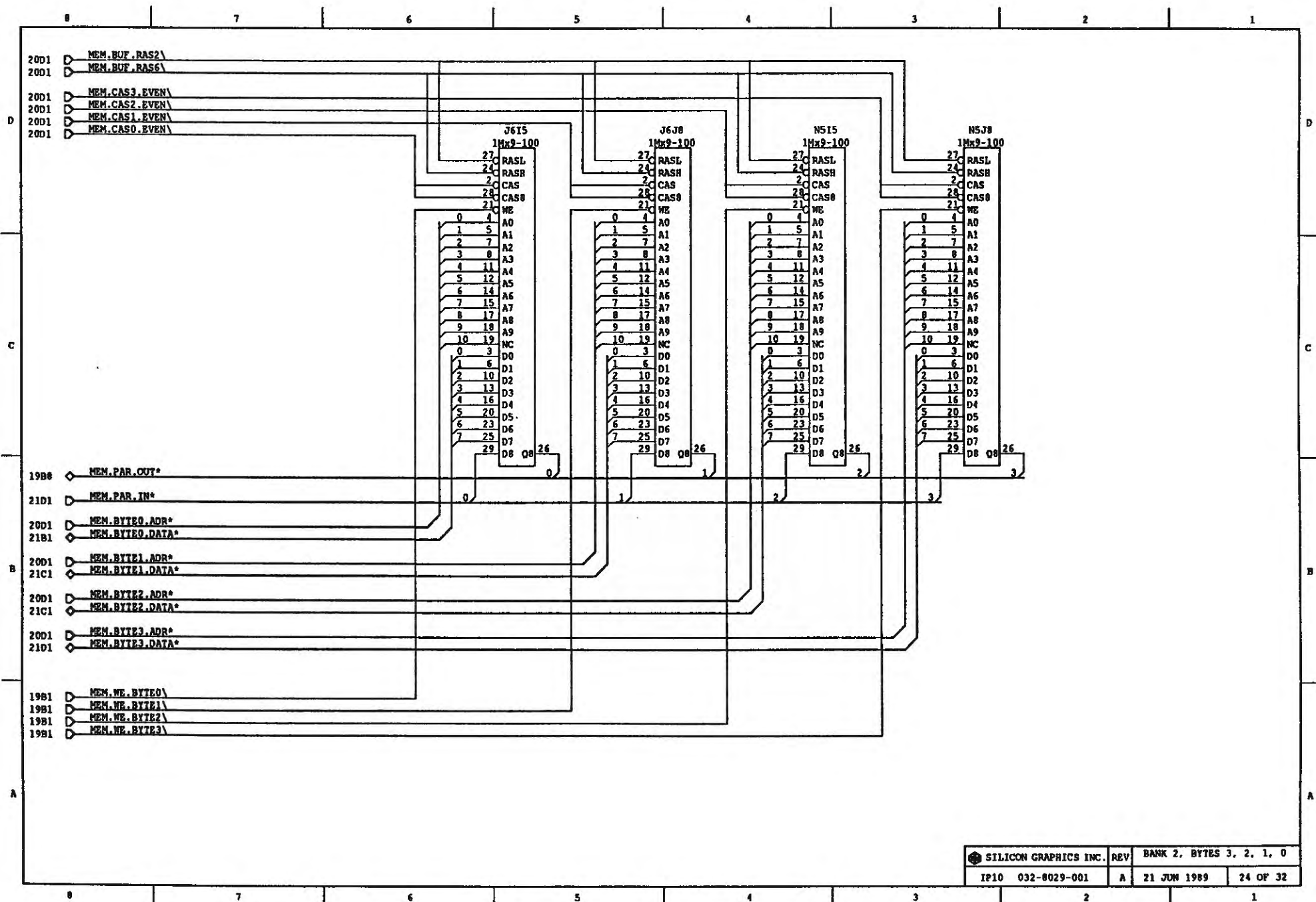
MEM.BYTE0.DATA* 228B 238B 248B
258B

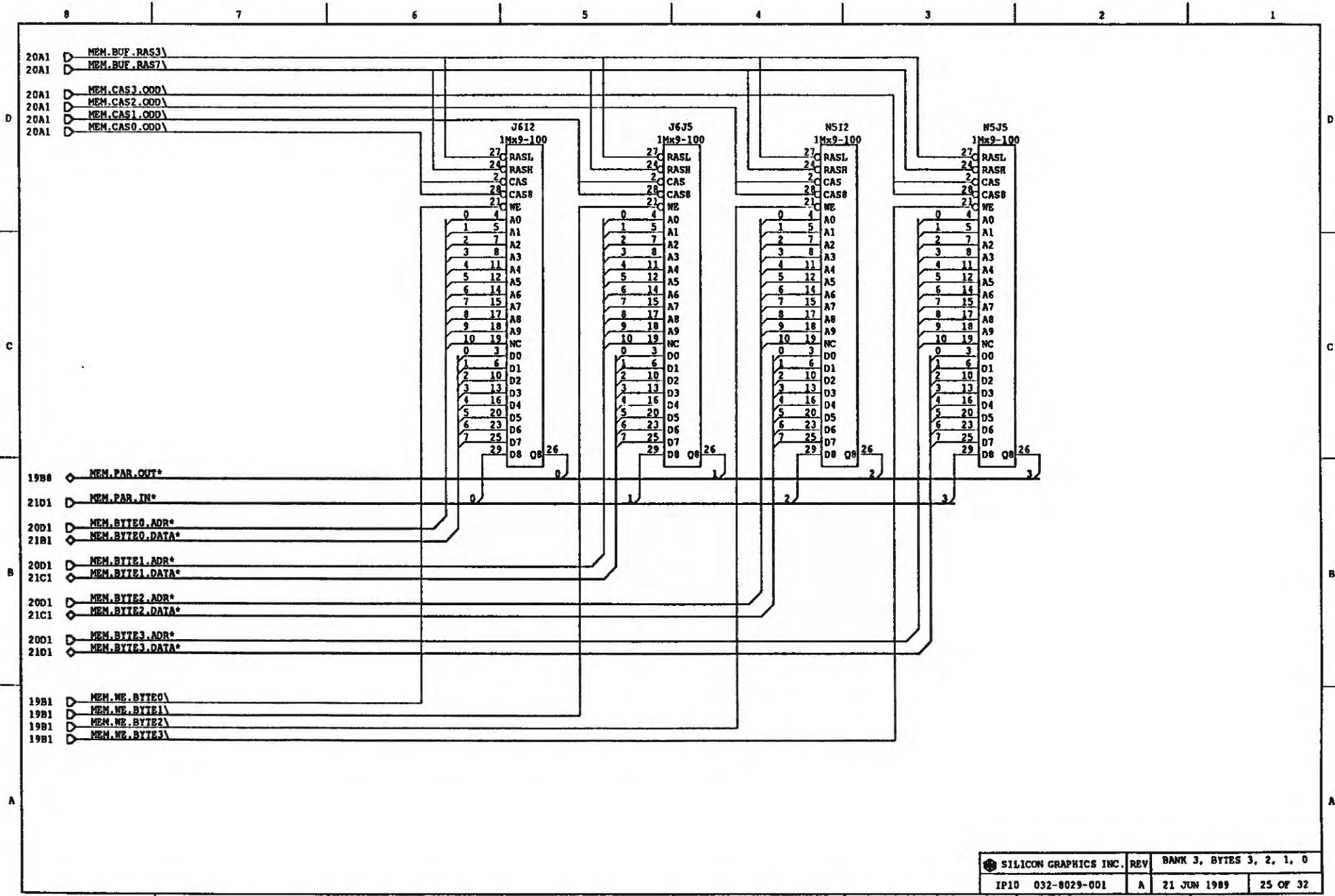
- 130B IO.INCLK
- 1301 CPU.GDMA.GNT
- 17A1 IO.DATA.CLK
- 9B1 CPU.IO.DIR
- 9A1 CPU.IO.DEN
- 20B6 PDB
- 9D1 CPU.NBF.CLK
- 9C1 CPU.CPU.WRDEN
- 0B1 CPU.PRR.CSD
- 8B1 CPU.ROBF.CLK
- 3A1 CPU.XEN
- 13C1 CPU.BADPAR
- 19A1 CPU.BUF.RAMWE

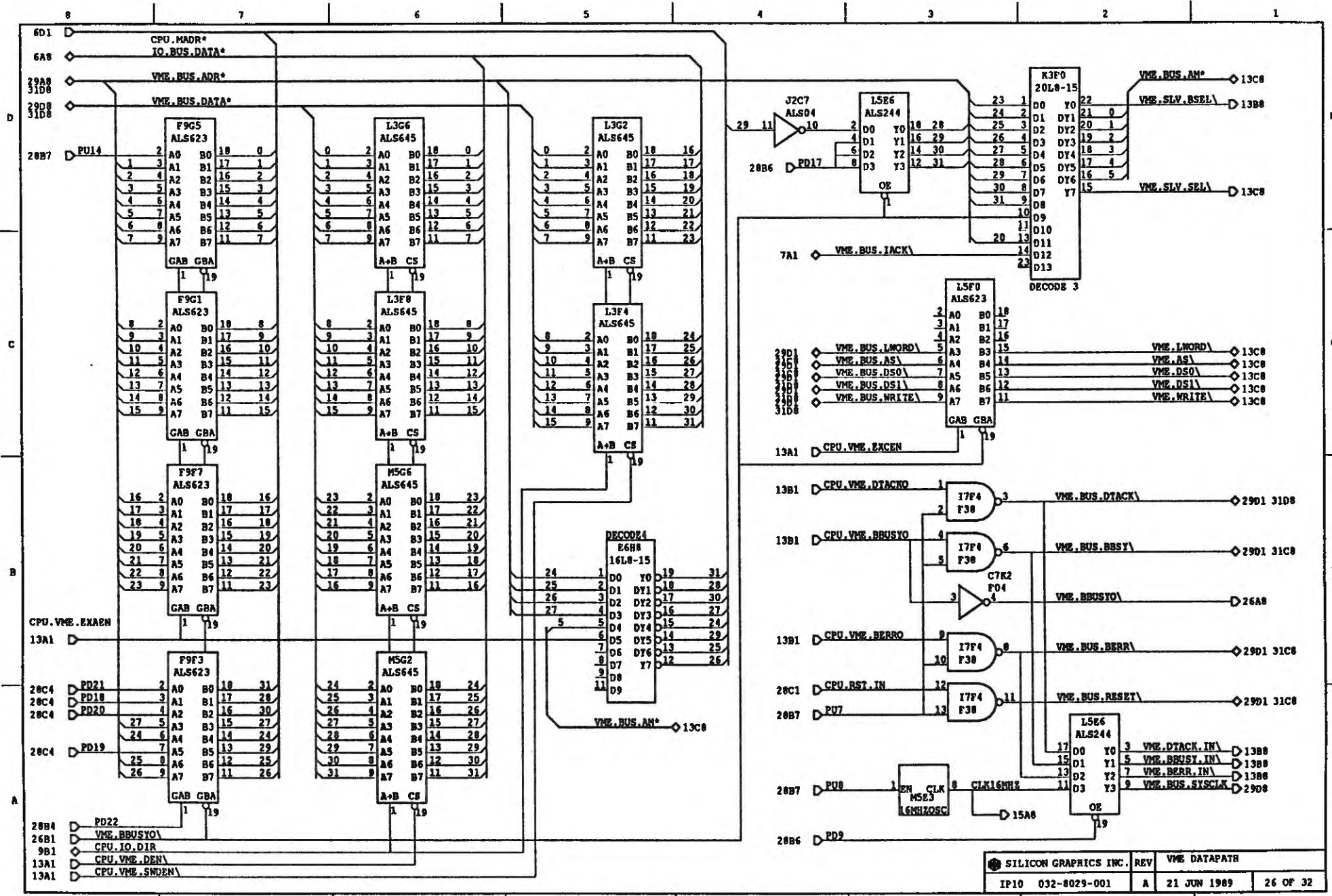


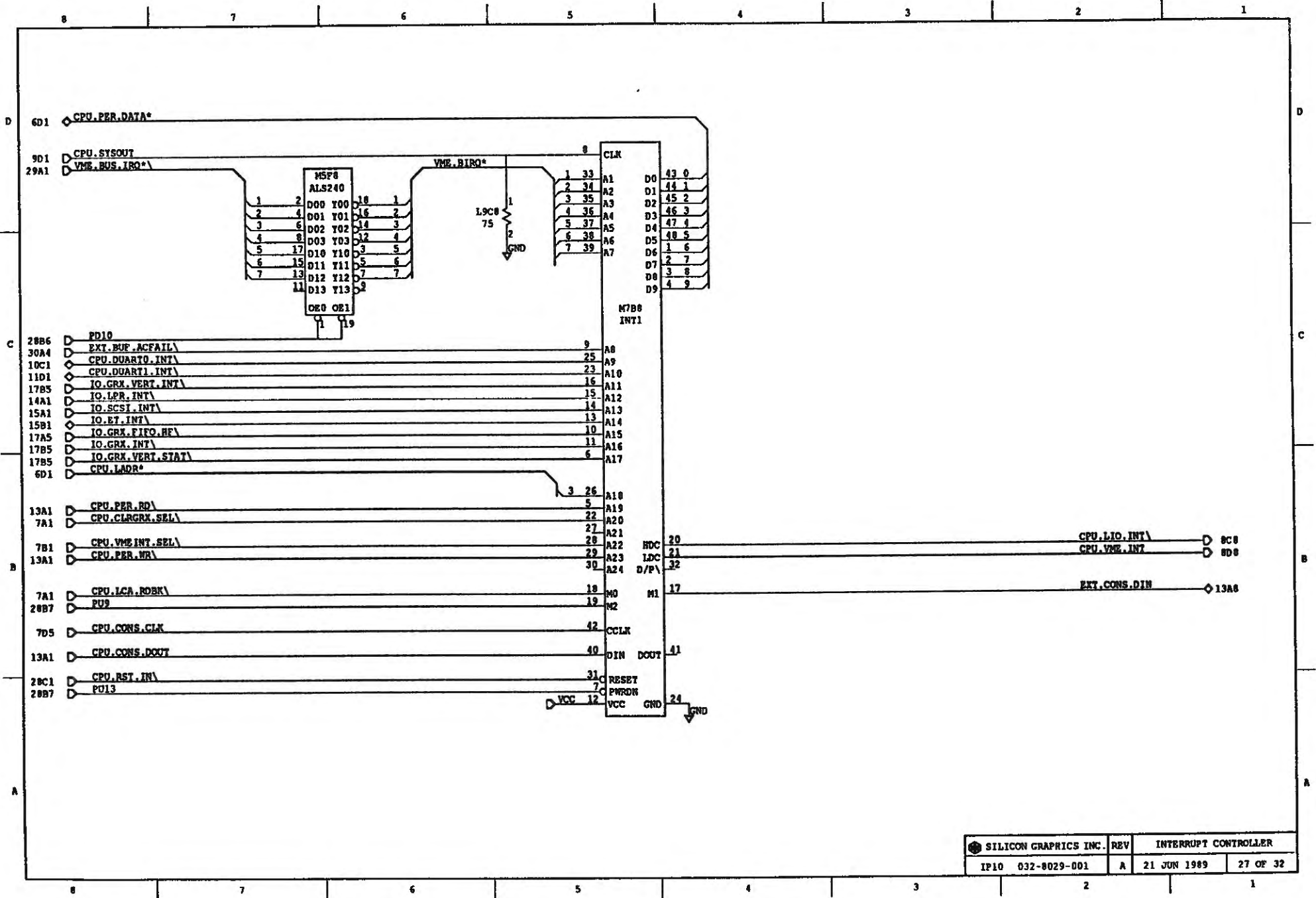


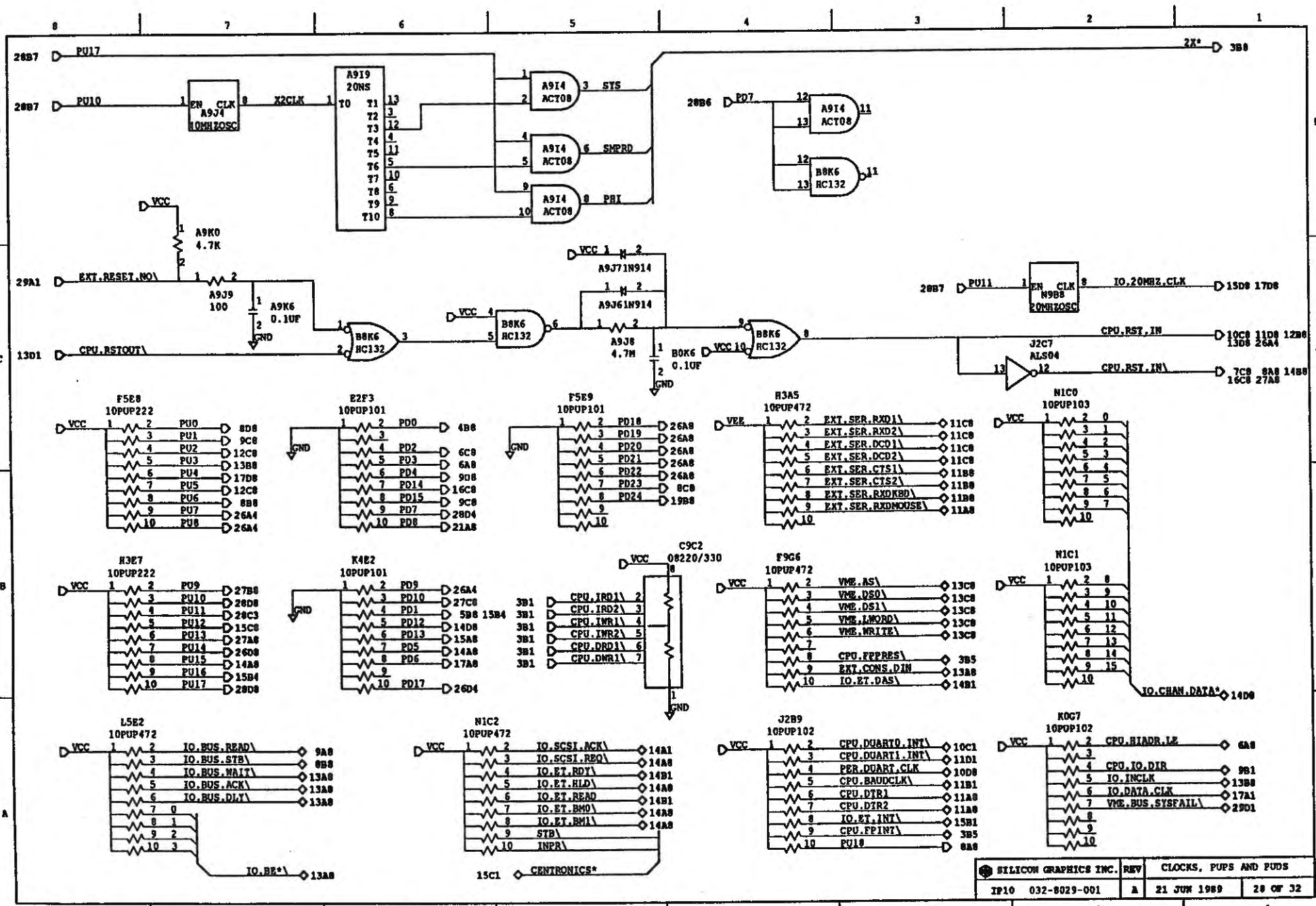
SILICON GRAPHICS INC.	REV	BANK1, BYTES 3, 2, 1, 0	
	IP10 032-0029-001	A	21 JUN 1989 23 OF 32

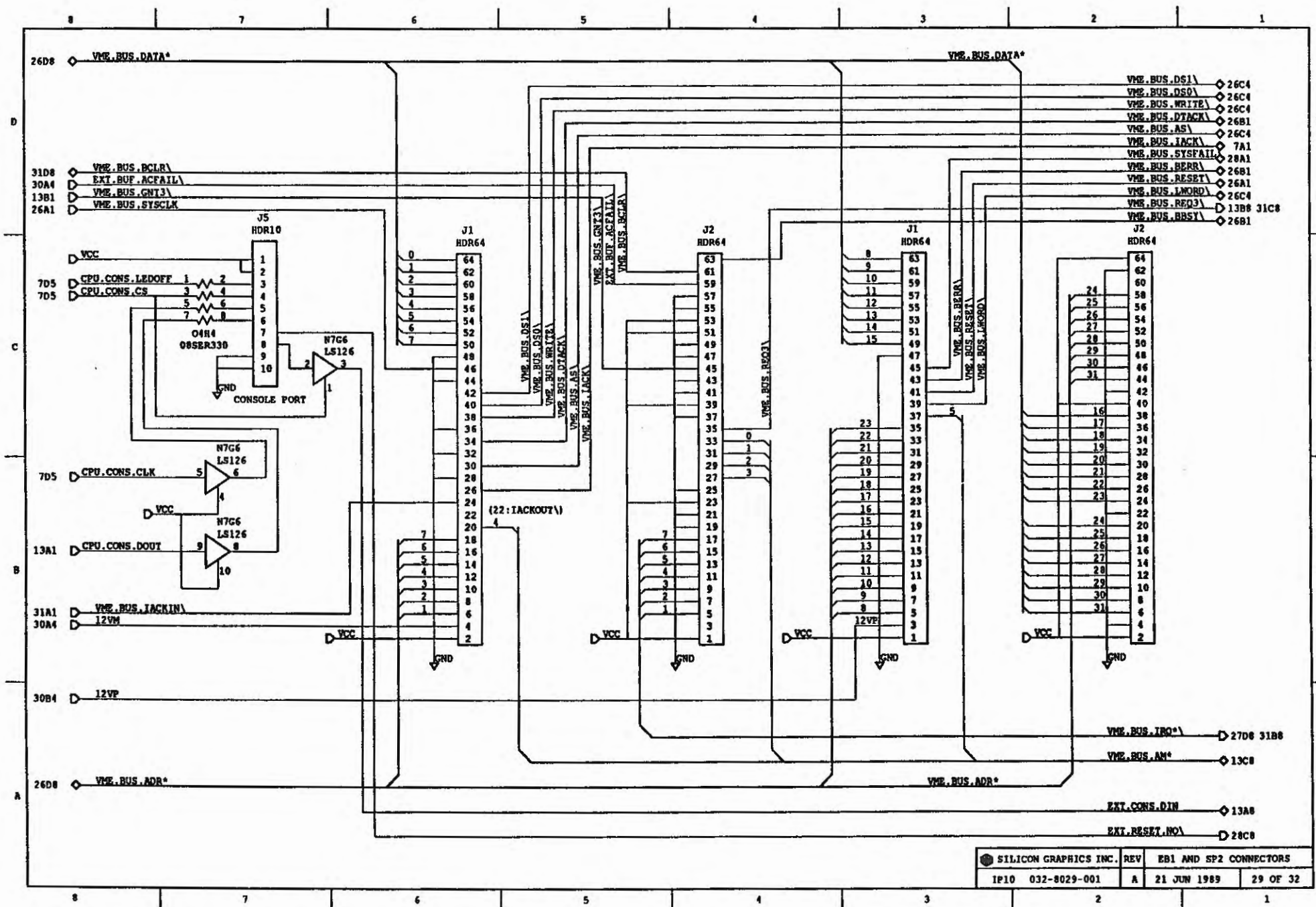




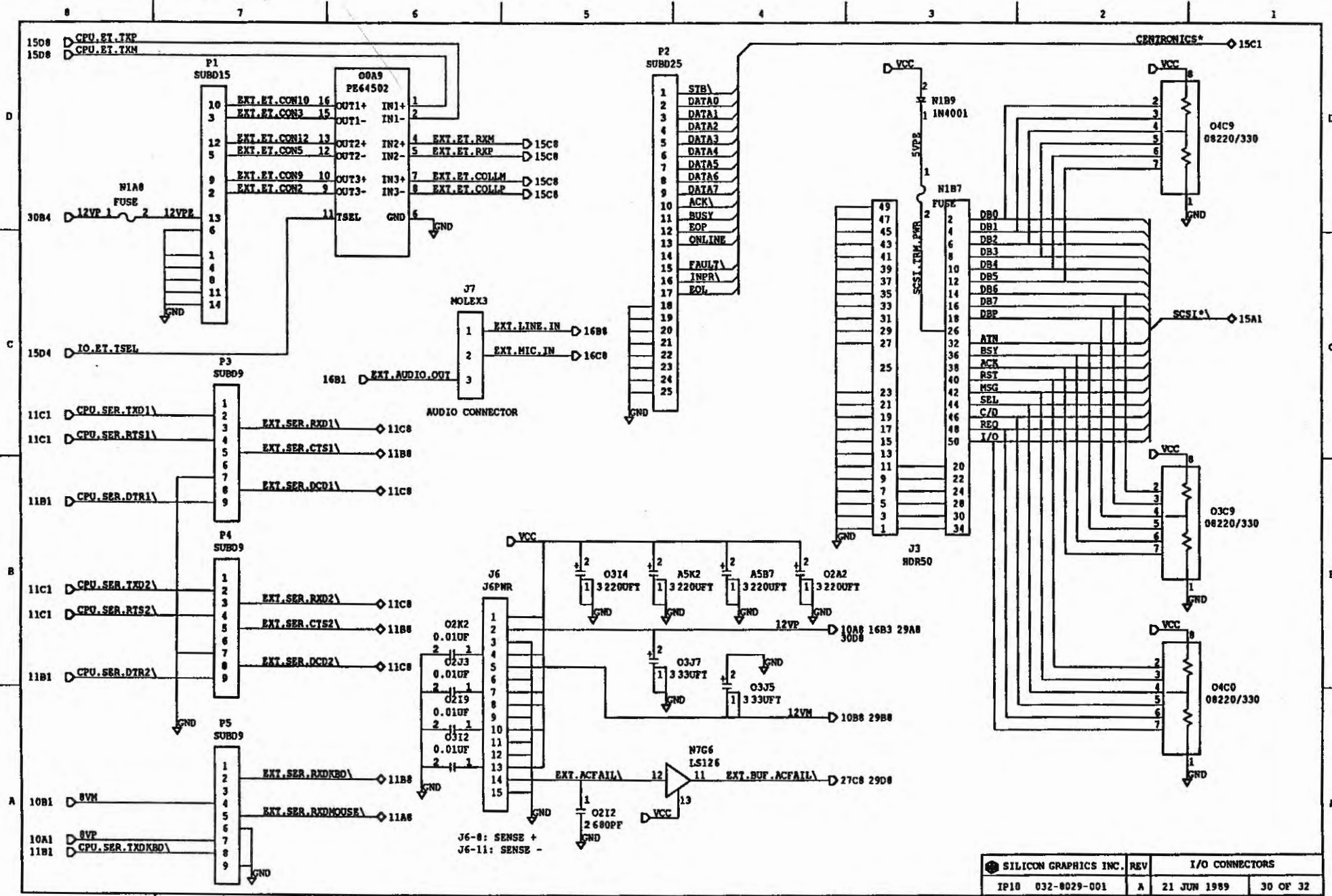




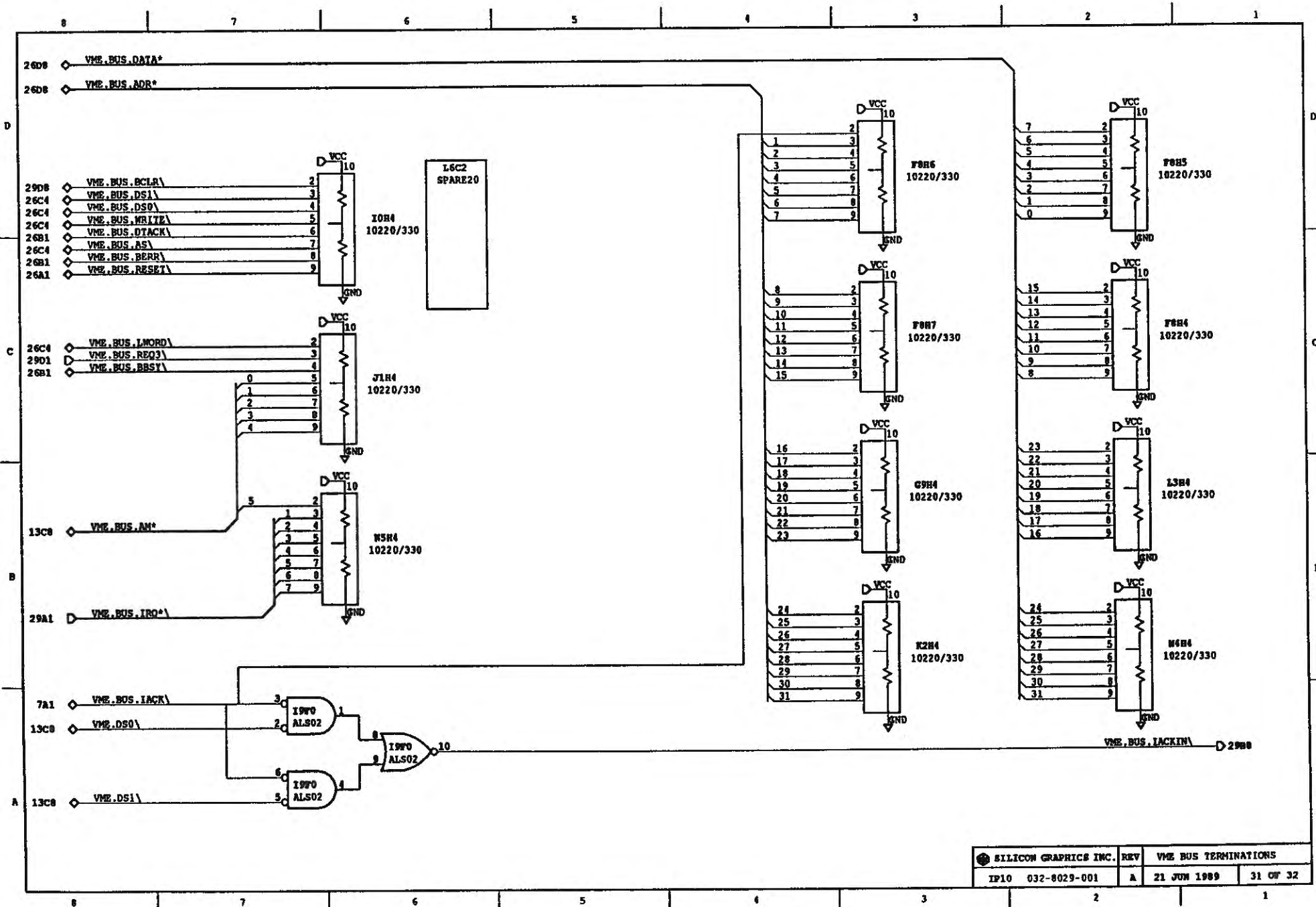




White - 5V
 orange - 12V
 Green - 5V
 Brown - 12V
 Red - 5V



SILICON GRAPHICS INC.		REV	I/O CONNECTORS	
IP10	032-8029-001	A	21 JUN 1989	30 OF 32



SILICON GRAPHICS INC.		REV	VME BUS TERMINATIONS	
IP10	032-8029-001	A	21 JUN 1989	31 OF 32

