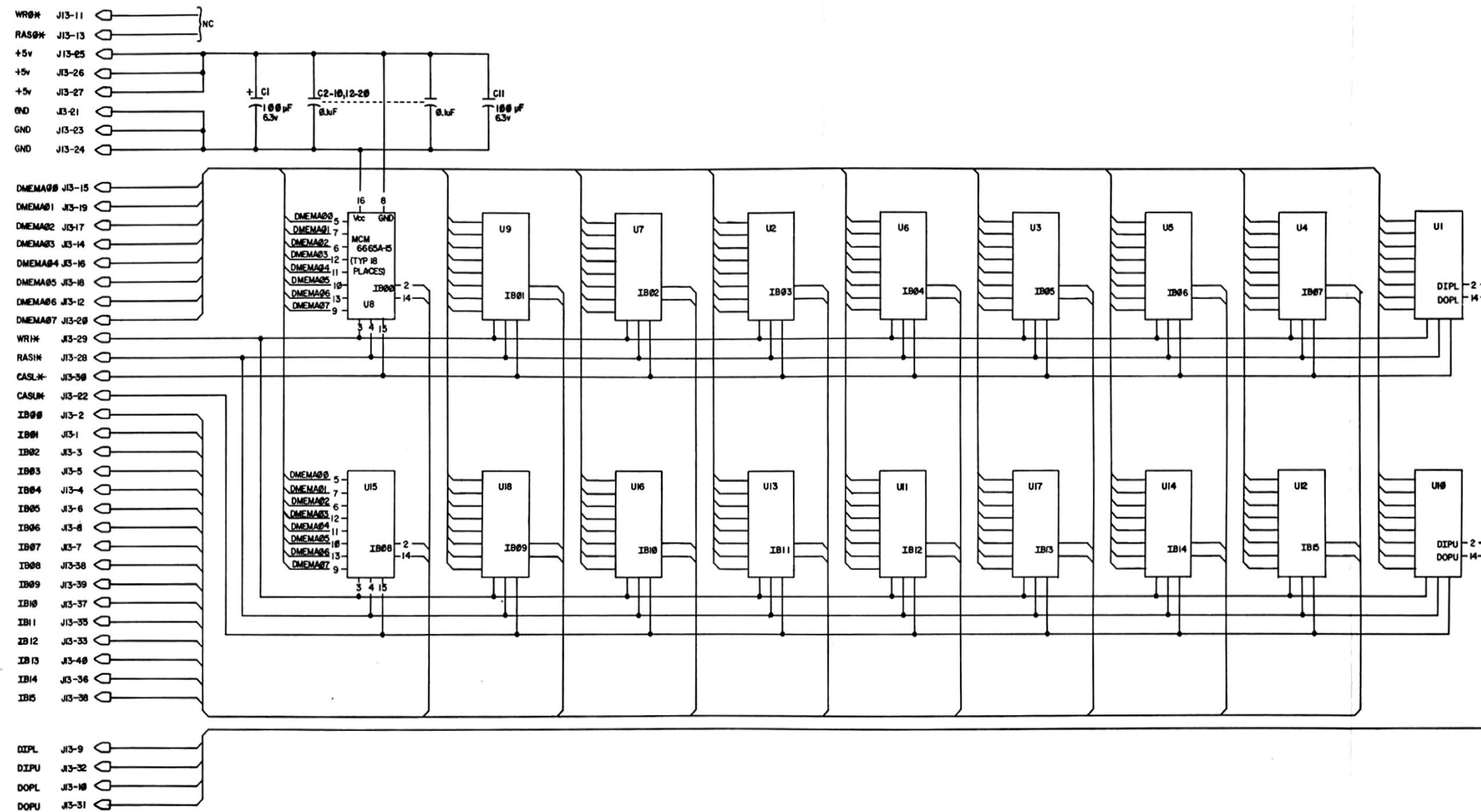


| ZONE | LTR | REVISION | | DATE | APPROVED |
|------|-----|-------------------------|--|---------|----------|
| | | DESCRIPTION | | | |
| | | RELEASED FOR PRODUCTION | | 12-1-83 | |



| REF. DRILL PLAN-D1700252, REV PP2 | | | |
|-----------------------------------|---------|-------|--|
| DESIGNER | DATE | TITLE | |
| KEITH NEWTON | 7-13-83 | | |
| CHECKED | DATE | | |
| DESIGN | DATE | | |
| APP'D | DATE | | |
| APP'D | DATE | | |

| SCHEMATIC- EXPANSION RAM, 128K PROJECT "J" 507 | | REV |
|--|--|-----|
| | | |

| DWG NO | SIZE |
|-------------|------|
| 8000205 | D |
| TOTAL SHEET | OF |
| 1/A | 1 |

tandy