

PICTORIAL 4

Part of 595-3599-01

ILLUSTRATION BOOKLET

PARTS PICTORIAL

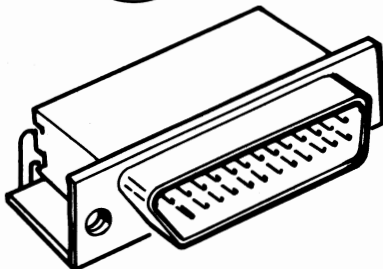
A1



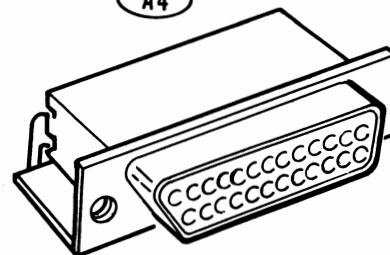
A2

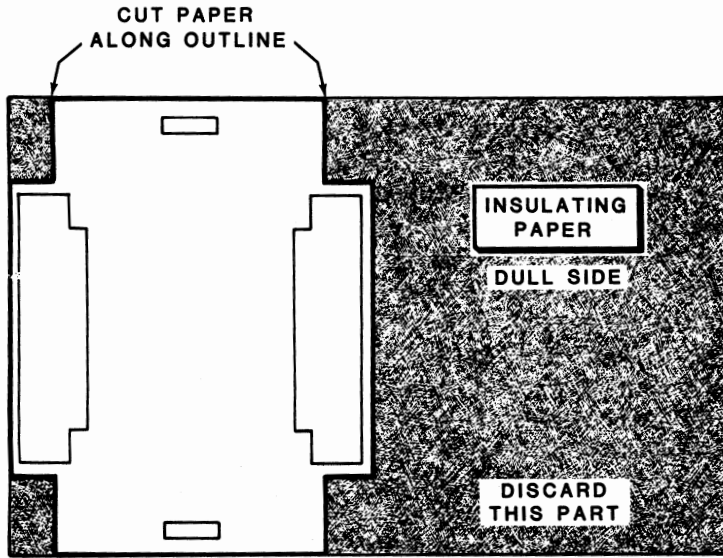


A3

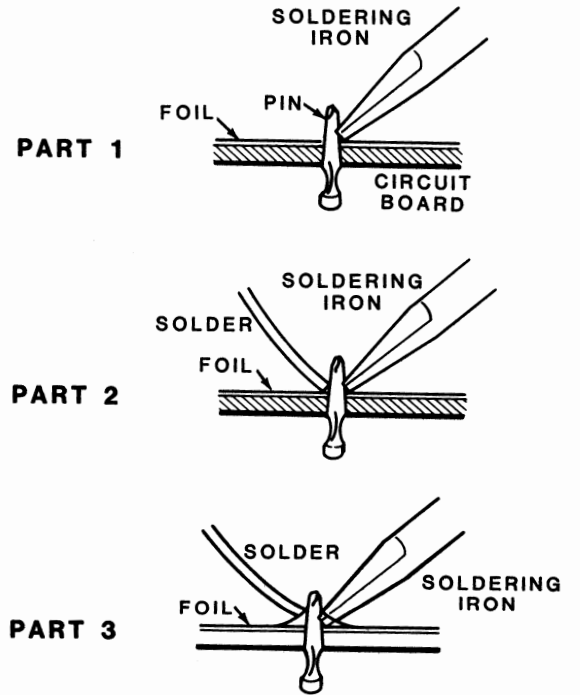


A4

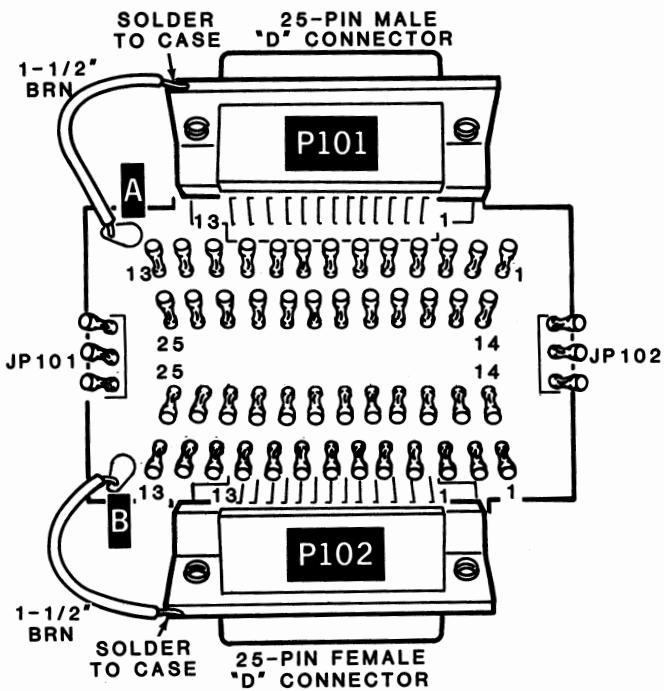




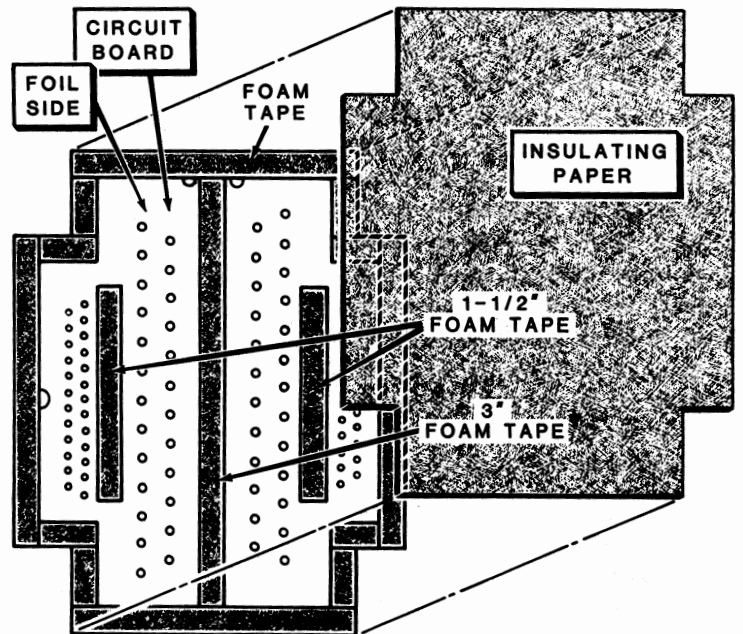
PICTORIAL 1



Detail 2A



PICTORIAL 2



PICTORIAL 3