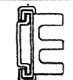

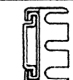
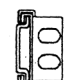
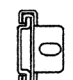
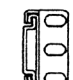
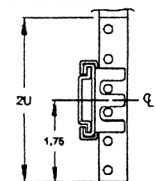
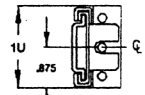
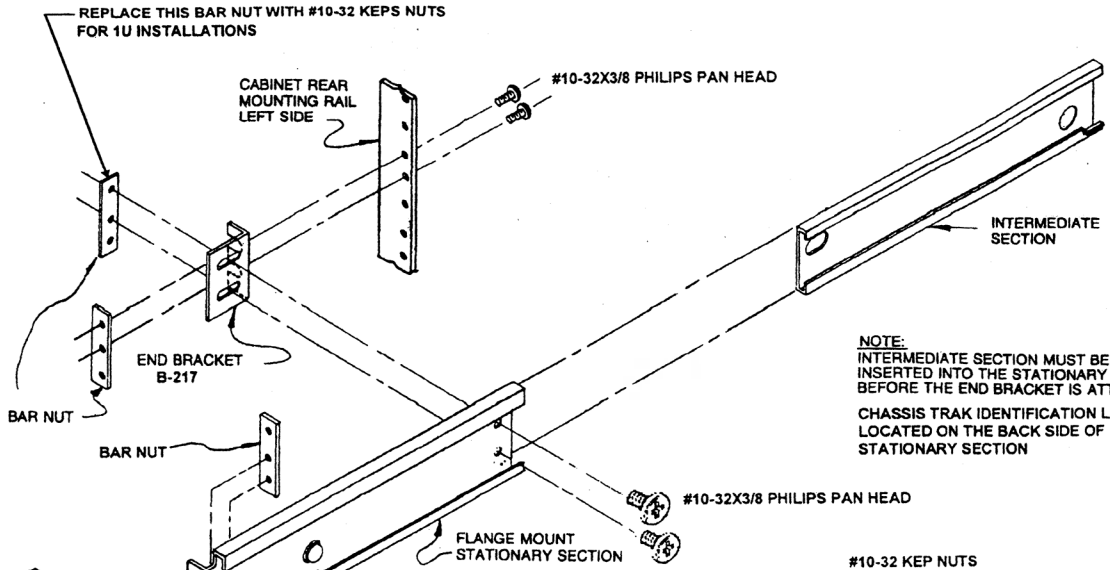
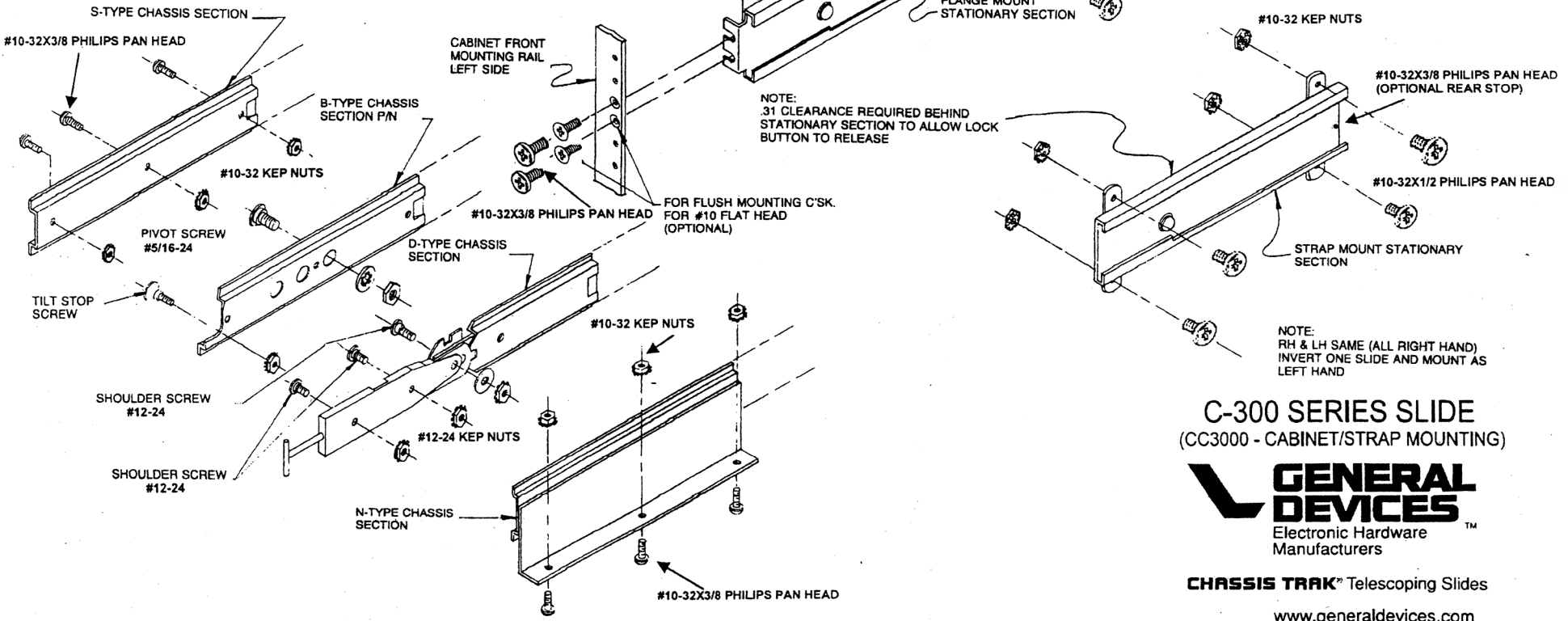


MODEL C-300	MODEL C-300-RC	
 C-300-S-10X 2 OPEN SLOTS	 C-300-S-10X-RC 1 OPEN SLOT	 C-300-S-10X-RC-3S 3 OPEN SLOTS
 C-300-S-40X 2 CLOSED SLOTS	 C-300-S-40X-RC 1 CLOSED SLOT	 C-300-S-40X-RC-3S 3 CLOSED SLOTS
 RECOMMENDED MOUNTING FOR 2-SLOT STYLE (C-300)	 RECOMMENDED MOUNTING FOR 1-SLOT/3-SLOT STYLE (C-300-RC)	



NOTE:
 INTERMEDIATE SECTION MUST BE
 INSERTED INTO THE STATIONARY SECTION
 BEFORE THE END BRACKET IS ATTACHED
 CHASSIS TRAK IDENTIFICATION LABEL
 LOCATED ON THE BACK SIDE OF
 STATIONARY SECTION



C-300 SERIES SLIDE
 (CC3000 - CABINET/STRAP MOUNTING)



CHASSIS TRAK™ Telescoping Slides

www.generaldevices.com

If you have questions please call 317-897-7000
 or send e-mail to sales@generaldevices.com