



**Ford
Higgins Ltd.**

PowerFrame

INSTALLATION GUIDE





**Ford
Higgins Ltd.**

INSTALLATION GUIDE

PowerFrame

Microcomputer Systems

4755 Walnut Street
Boulder, Colorado 80301
(303) 449-8803
TLX: 752267 FHL BLDR
TWX: 910-997-0429
EASYLINK: 62317580

PART NO. 20224600

Contents

PAGE

1.....	Inspecting
2.....	Unpackaging
3.....	Removing Unit from Box
4.....	Removing Styrofoam Frame
5.....	Attaching Bezels
6.....	Plugging in Unit
7.....	Connecting Console
8.....	Checking Switches
9.....	Turning Power On
10.....	Checking Indicator Lights
11.....	Setting Switches
12.....	Booting System
13.....	Unlocking Heads (Double-wide systems only)

March 20, 1984

Technical Bulletin No. 1

REGARDING: Booting System

PROBLEM: When the system responds: START? and you type in: NO, the system responds again with: START?

SOLUTION: When the system responds: START? type in: N instead of NO.

NOTE: For your own convenience, please make note of this in your Installation Manual.

March 20, 1984

Technical Bulletin No. 2

REGARDING: Booting System

PROBLEM: When the system is booted to unit DMI (fixed) without a formatted cartridge in unit DMO, the system will "hang."

SOLUTION: Do not boot a DMI (fixed) disk unless there is a formatted cartridge in DMO.

NOTE: For your own convenience, please make note of this in your Installation Manual.

March 20, 1984

Technical Bulletin No. 3

REGARDING: RSTS/E Password

PROBLEM: Some users have experienced difficulty when trying to log into account 1,2 on the RSTS/E distribution.

SOLUTION: The password is: LIBRA.

NOTE: For your own convenience, please make note of this in your Installation Manual.

FCC Compliance

This equipment generates and uses radio frequency energy and if not installed and used properly, i.e., in strict accordance with the operating instructions, reference manuals, and the service manual, may cause interference to radio or television reception. It has been tested and found to comply with the limits for a Class A computing device pursuant to Subpart J of Part 15 of FCC Rules, which are designed to provide reasonable protection against such interference when operated in a commercial installation. If this equipment does cause interference to radio or television reception, which can be determined by turning the equipment off and on, the user is encouraged to try to correct the interference by one or more of the following measures:

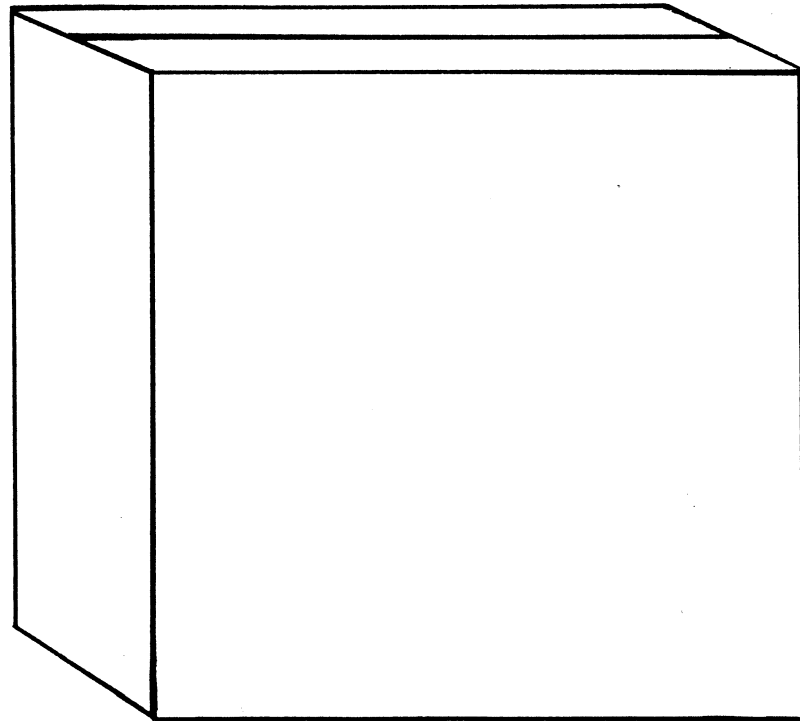
- 1) Reorient the receiving antenna.
- 2) Relocate the equipment with respect to the receiver.
- 3) Move the equipment away from the receiver.
- 4) Plug the equipment into a different outlet so that equipment and receiver are on different branch circuits.

If necessary, consult your dealer service representative for additional suggestions.

The manufacturer is not responsible for any radio or TV interference caused by unauthorized modifications to this equipment. It is the responsibility of the user to correct such interference.

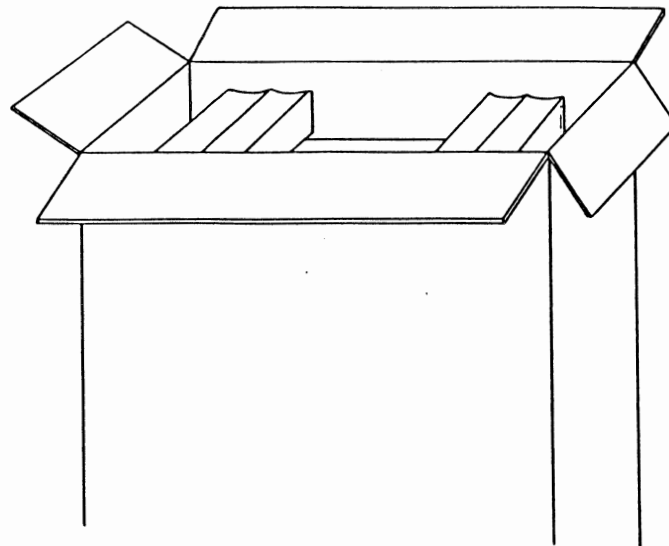
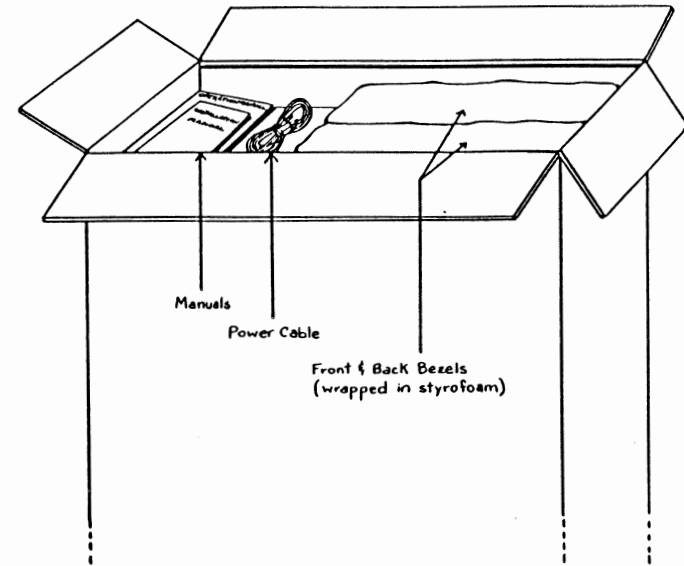
Inspecting

Inspect box for any damage.



Unpackaging

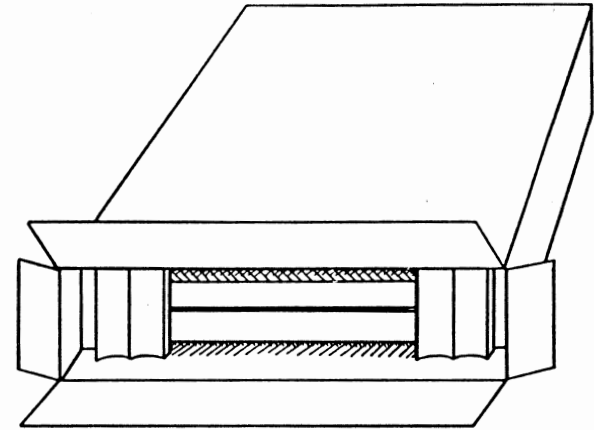
Open top of box. Remove power cable, manuals, and front and back bezels (wrapped in styrofoam) from cardboard shelf.



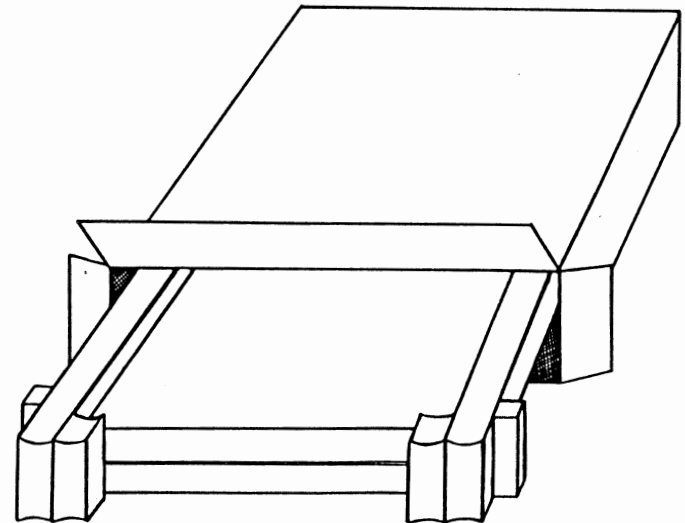
Remove cardboard shelf.

Removing Unit

Carefully lay the box down on its side.
CAUTION: The weight of the unit is approximately 100 pounds.

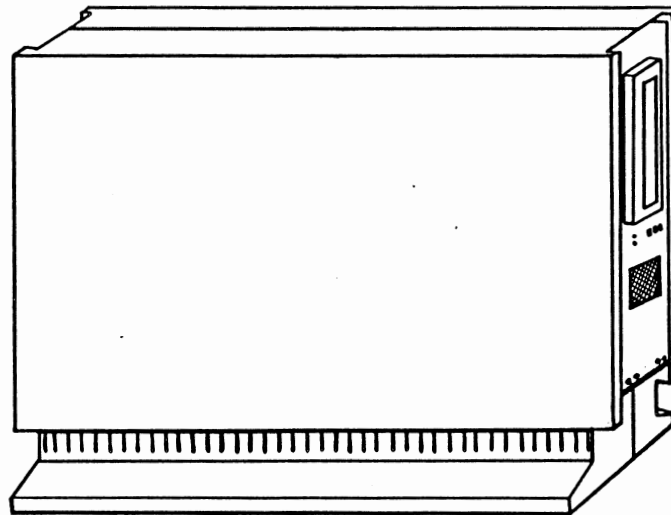
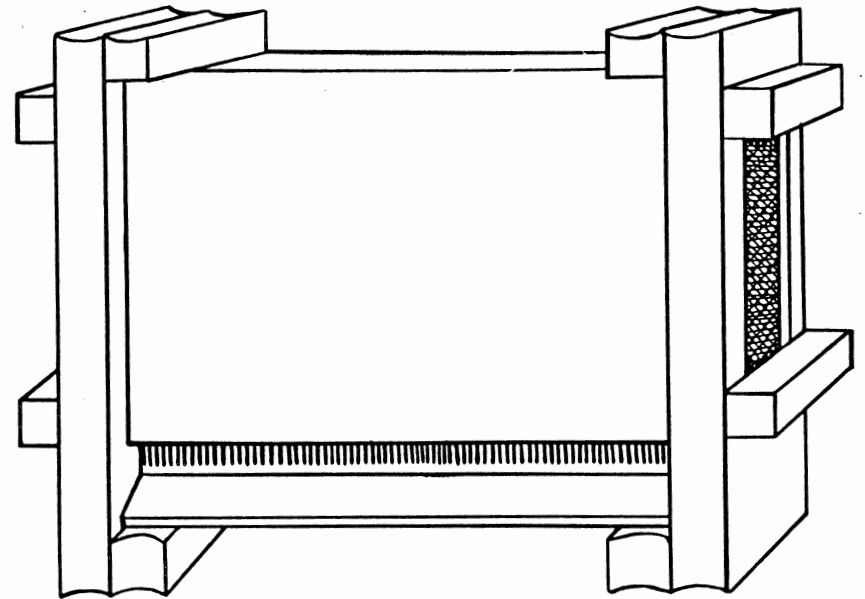


The unit is packed in a styrofoam shipping frame.
Carefully slide the unit and styrofoam out of the box.



Removing Styrofoam

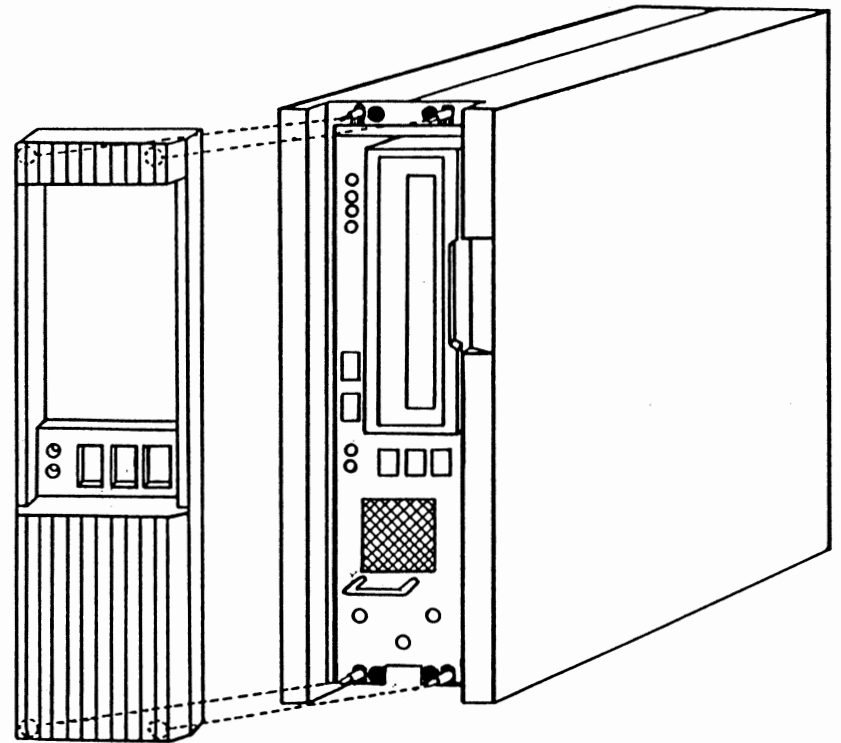
Tip unit upright.



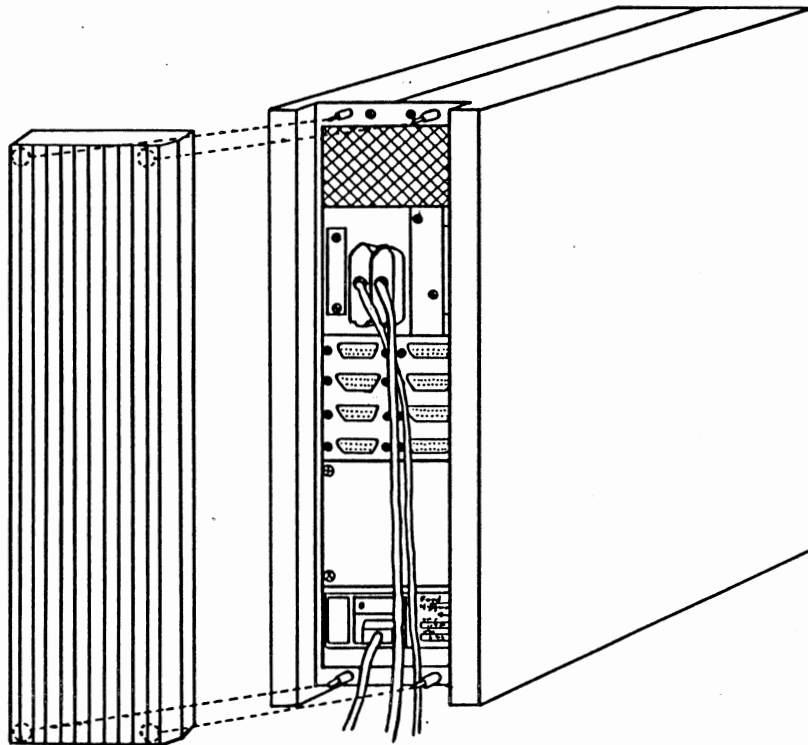
Remove styrofoam shipping frame.

Attaching Bezels

Attach the front and back bezels to the unit as shown in the illustrations.



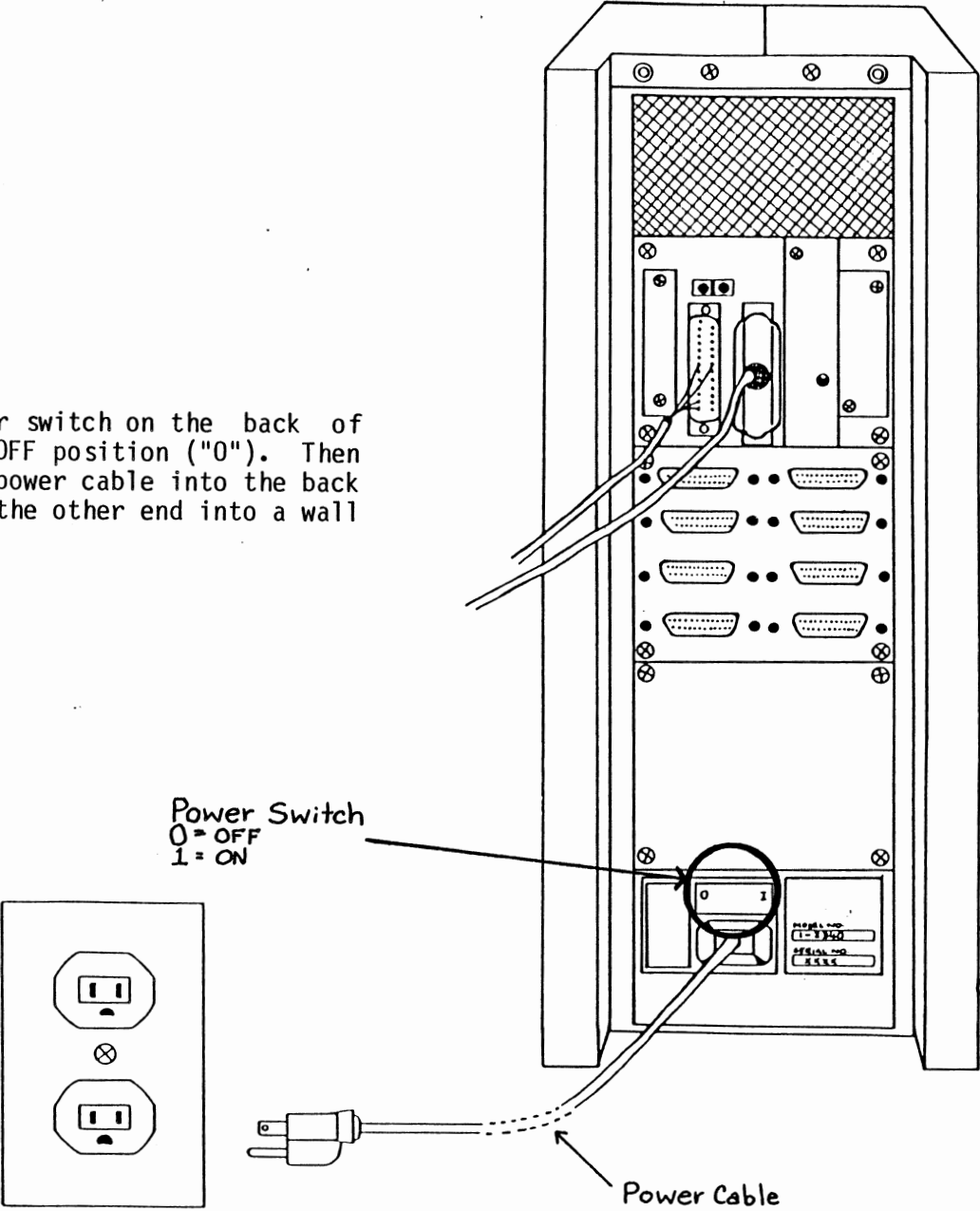
Front of Unit



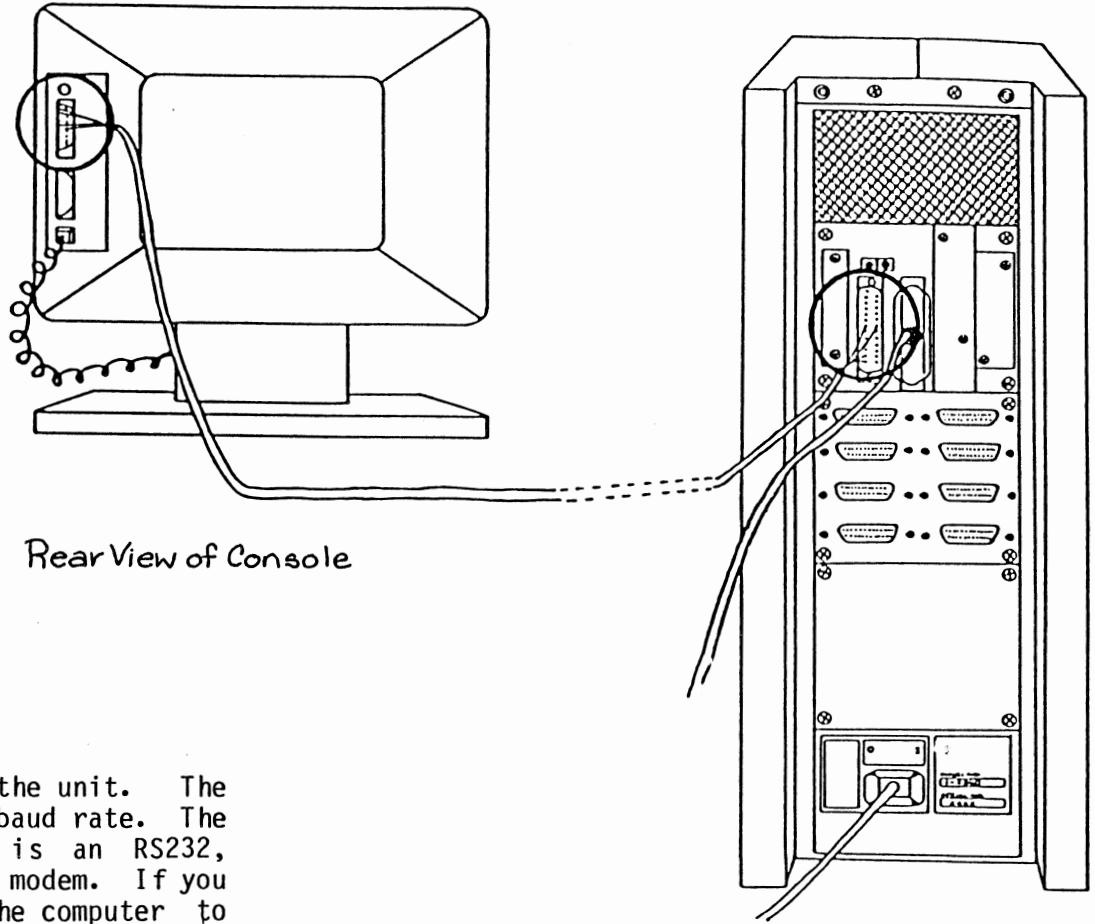
Back of Unit

Plugging In Unit

Ensure that the power switch on the back of the unit is in the OFF position ("0"). Then plug one end of the power cable into the back of the unit and the other end into a wall socket.



Connecting Console



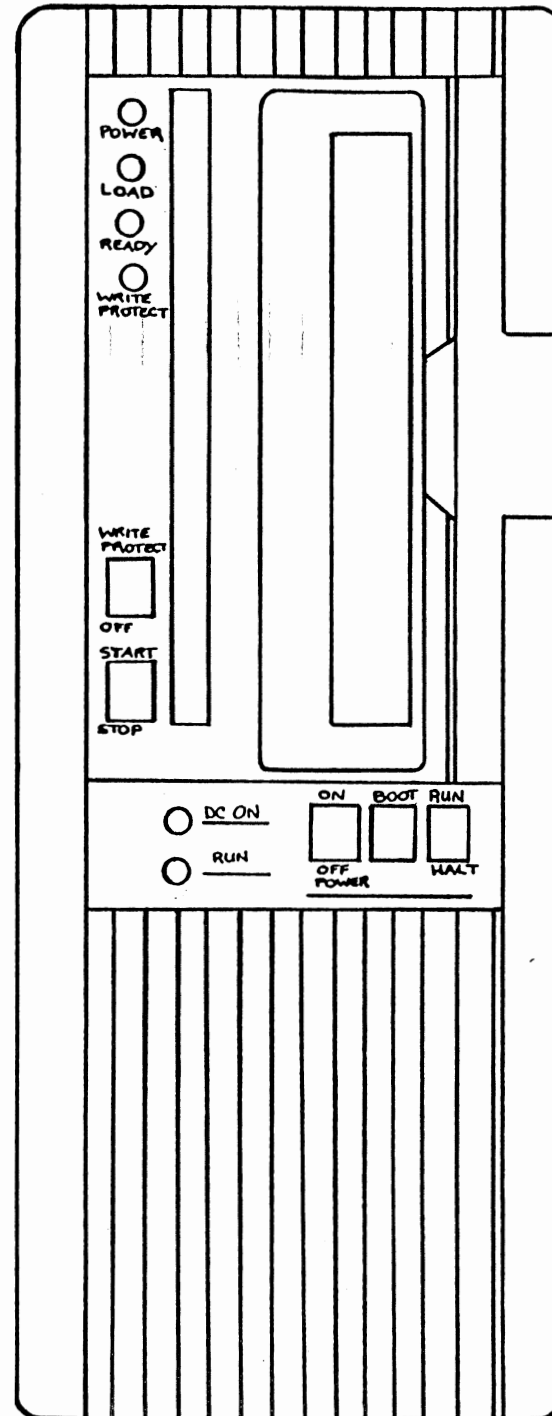
Rear View of Console

Connect a console terminal to the unit. The console should be set at 9600 baud rate. The plug at the back of the unit is an RS232, designed to interface with a modem. If you are connecting straight from the computer to a terminal, use a "null-modem" cable.

Rear View of Powerframe

Checking Switches

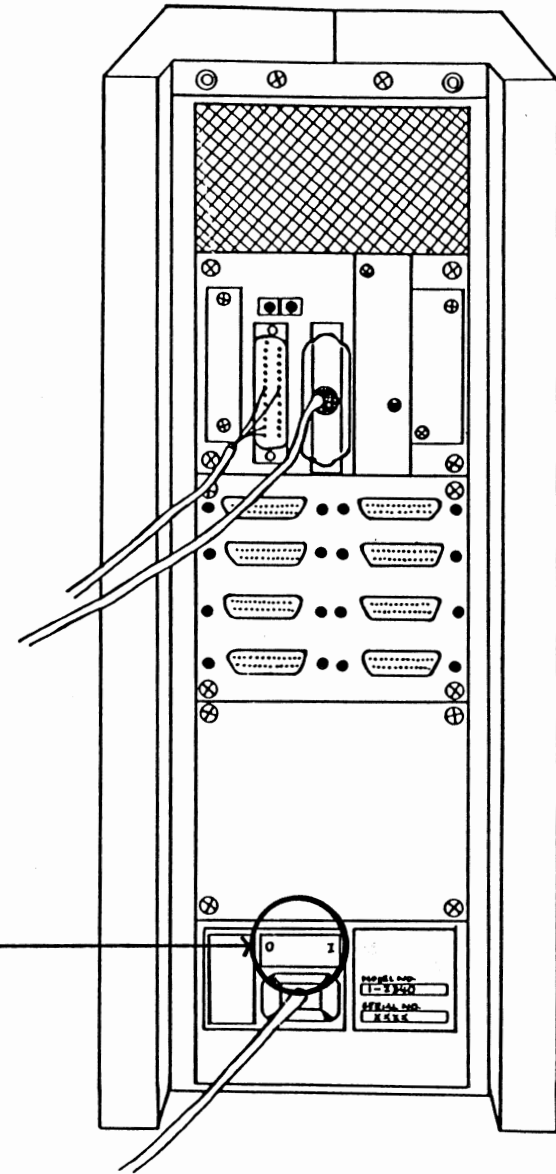
Check the switches below the disk door on the front of the unit. Make sure that the three switches (POWER, BOOT, RUN/HALT) are in the OFF position, which is down. The disk START/STOP switch (to the left of the disk door) should be in the STOP position and the WRITE PROTECT switch (directly above) should be in the OFF position.



Turning Power On

Turn the POWER switch, located on the back of the unit, to the ON ("I") position.

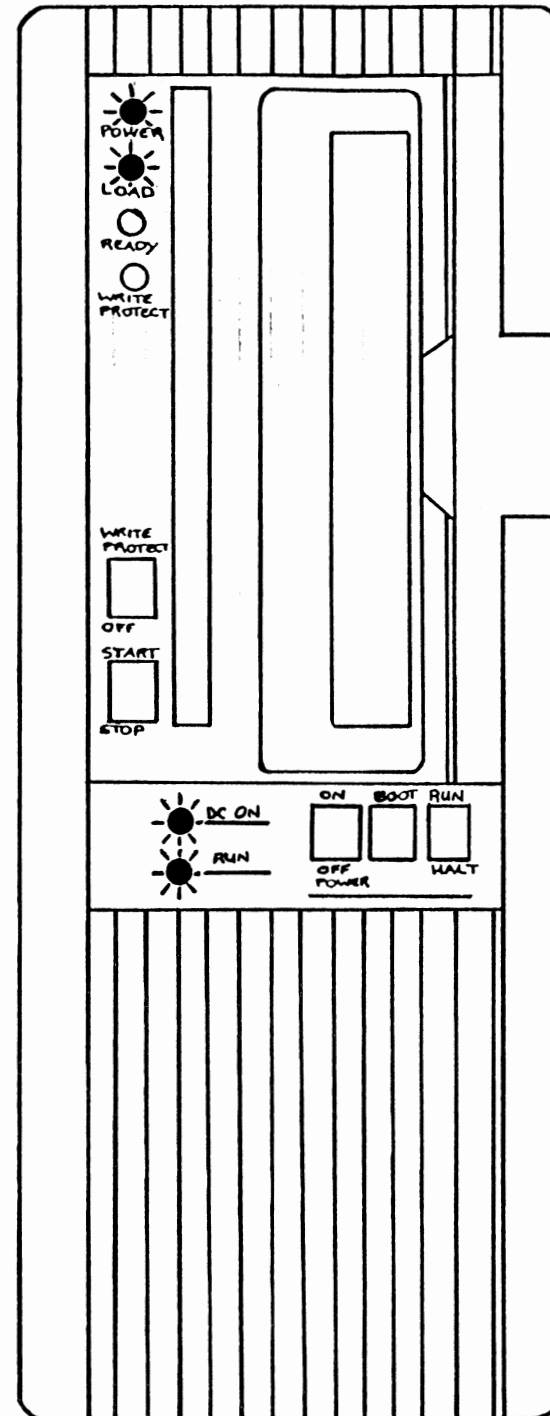
Power Switch
O = OFF
I = ON



Checking Indicator Lights

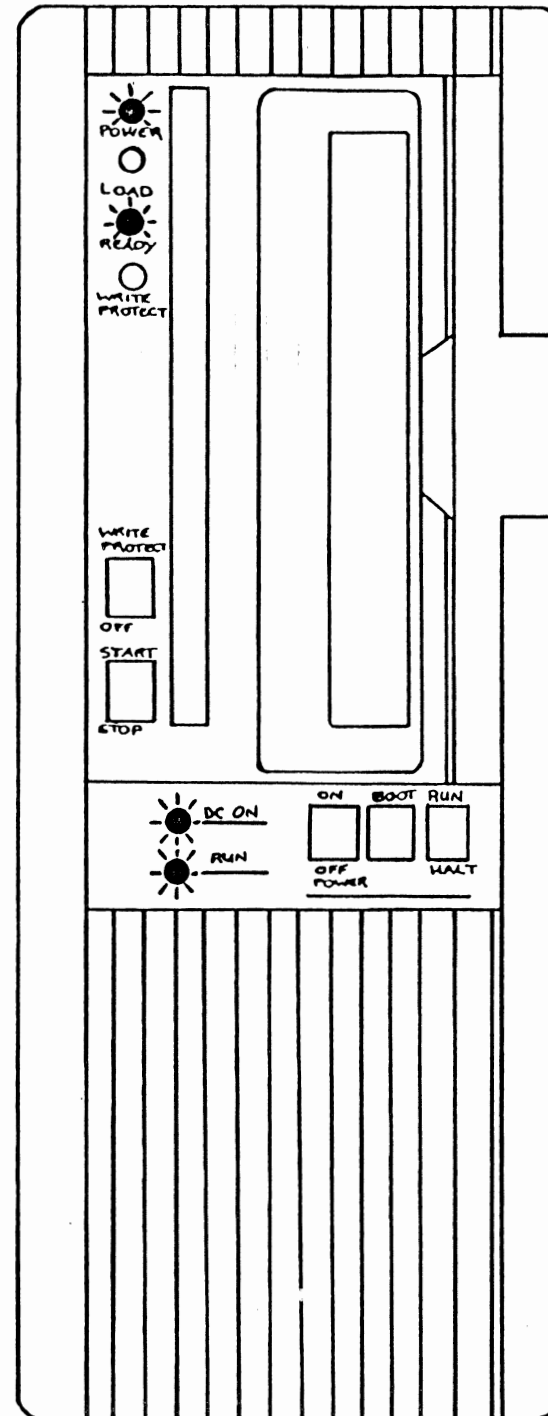
Turn the POWER switch on the front of the unit to the ON position.

The POWER, LOAD, DC ON, and RUN lights on the front of the unit should light up. The system will arrive with the disk cartridge already inside, so no insertion is necessary.



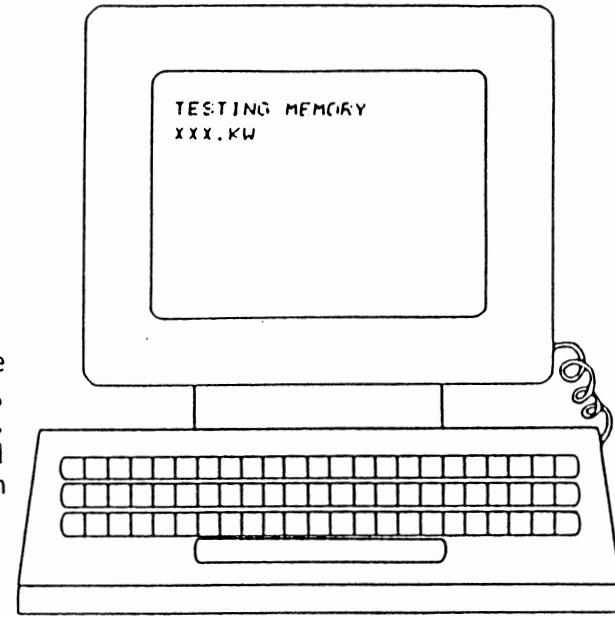
Setting Switches

After the terminal is plugged in, put the RUN switch (on the front of the unit) in the RUN position. Also, set the START/STOP switch (to the left of the disk door) to START. The LOAD light will extinguish when the disk begins to spin. The READY light will illuminate when the system is ready to boot.



Booting System

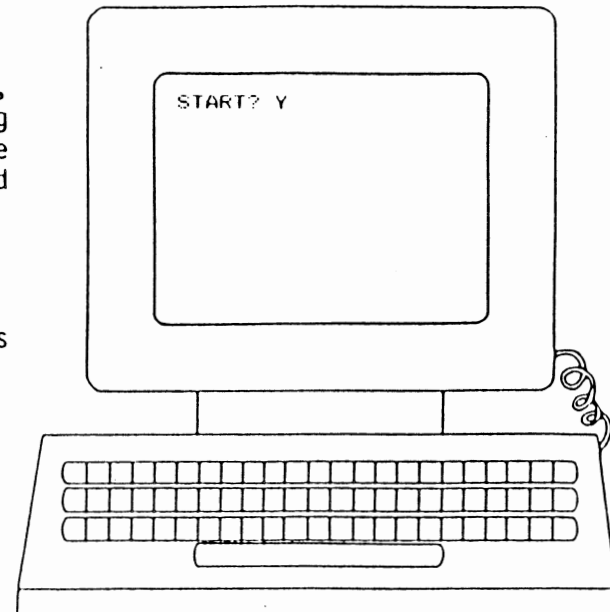
Depress the BOOT switch (on the front of the unit) momentarily. On the console screen, the message: TESTING MEMORY will appear. After the memory test, the system will respond with the amount of memory listed in the format: XXX.KW on the following line.



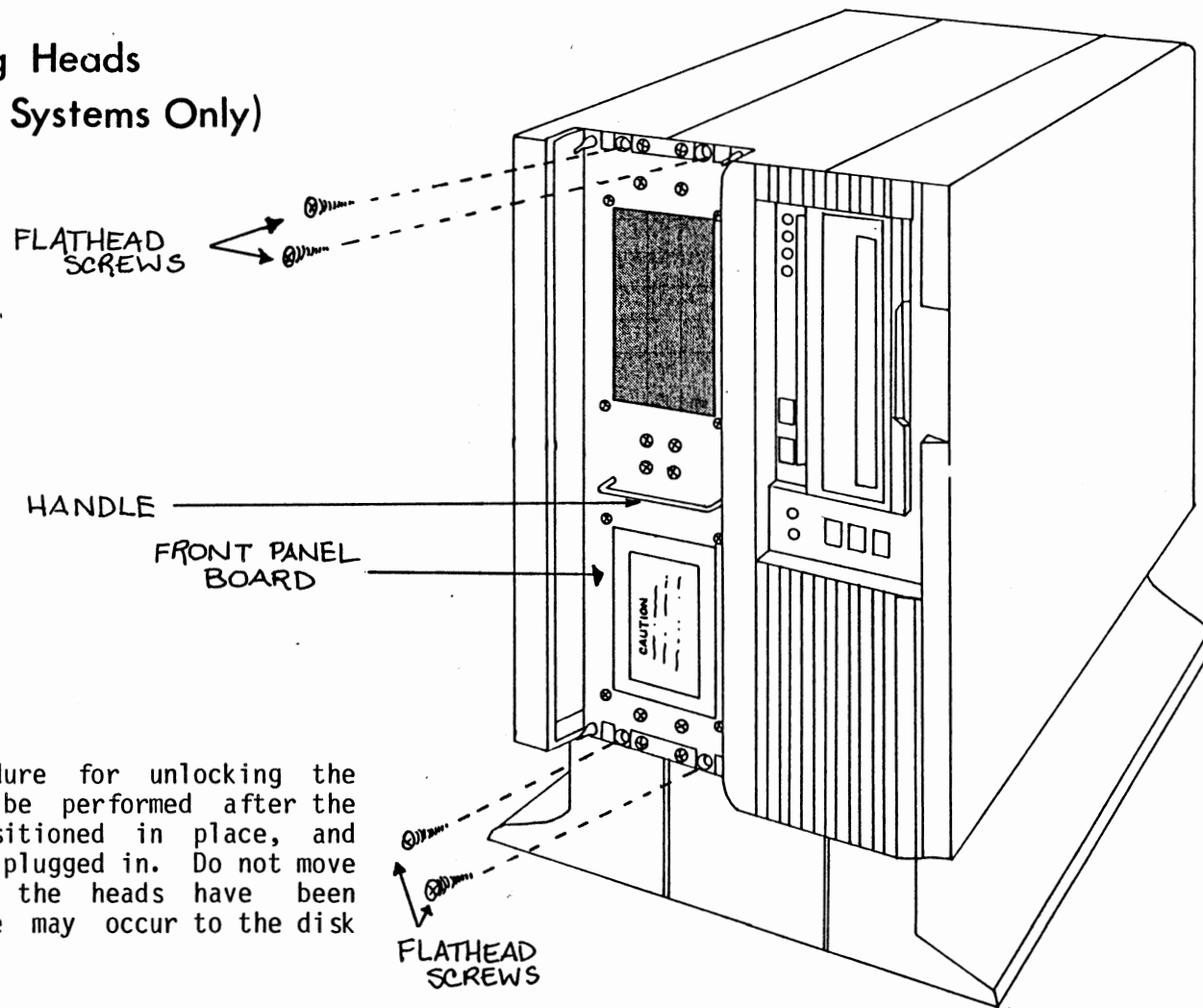
Then the system will ask: START? To answer, type in either: Y or DMn ("n" representing the unit to be booted). The removable portion of the disk is unit 0; the fixed portion is unit 1.

NOTE: Do not boot a DM1 (fixed) disk unless there is a formatted cartridge in DM0.

The system should now be booted up and ready for use.



Unlocking Heads (Double-wide Systems Only)

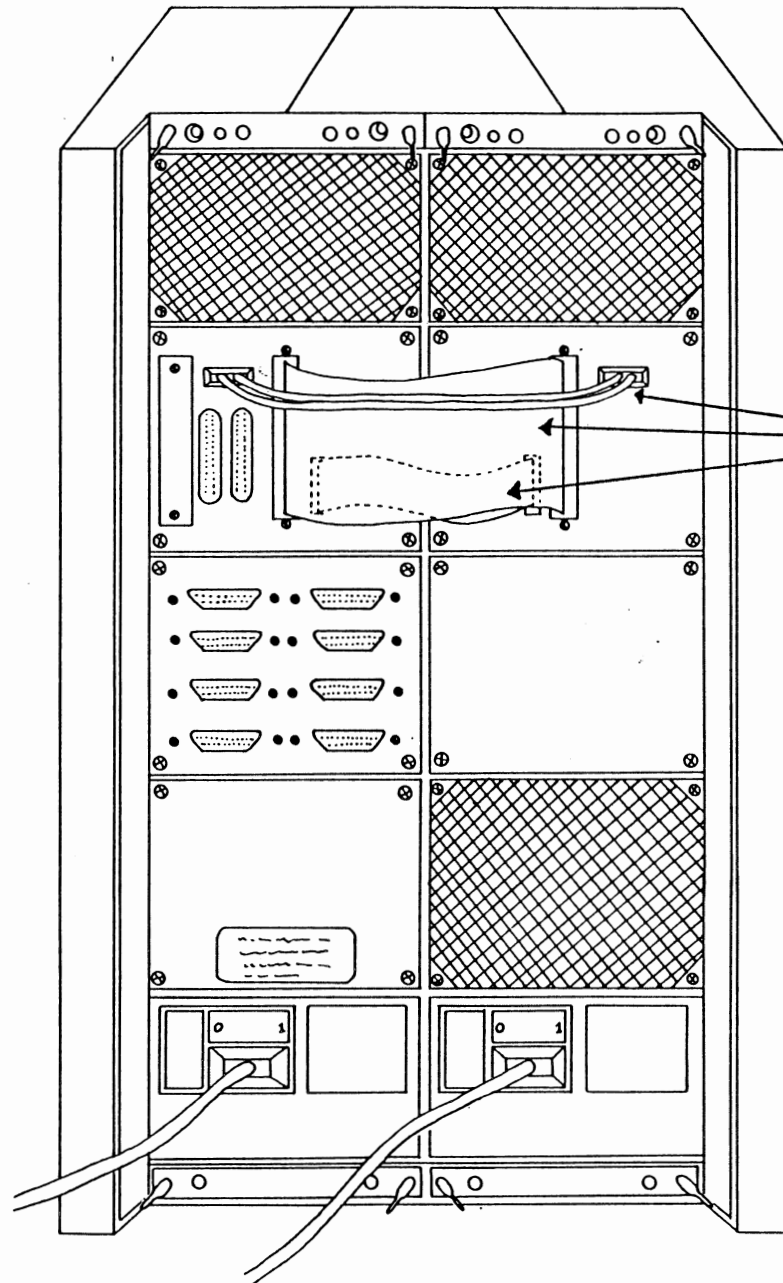


The following procedure for unlocking the heads should only be performed after the computer has been positioned in place, and before it has been plugged in. Do not move the computer after the heads have been unlocked, as damage may occur to the disk drive.

STEP 1: Remove the four flathead screws located on the front panel board.

DOUBLE-WIDE POWERFRAME
FRONT VIEW

Unlocking Heads



STEP 2: Go around to the back of the PowerFrame and disconnect the three cables connecting the two systems.

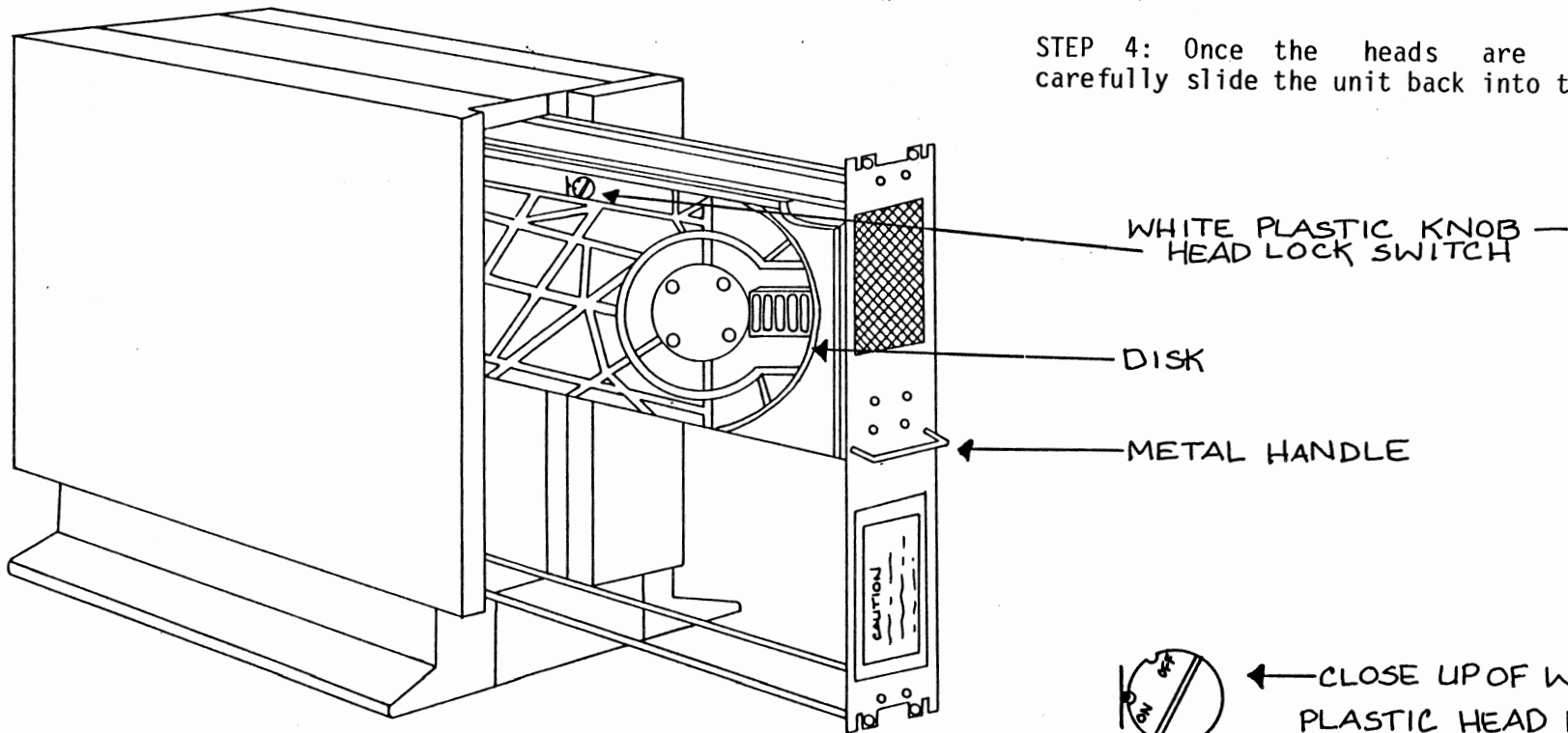
3 CABLES CONNECTING
THE 2 SYSTEMS

DOUBLE-WIDE
REAR VIEW

Unlocking Heads

STEP 3: Grasping the metal handle on the front panel board, carefully slide the unit out until the entire disk is visible. On the bottom of the disk is a white plastic knob. When this knob is in the ON position, the heads are locked. When in the OFF position, they are unlocked. Turn the knob to the OFF position to unlock the heads.

STEP 4: Once the heads are unlocked, carefully slide the unit back into the case.



DOUBLE-WIDE POWERFRAME
FRONT VIEW

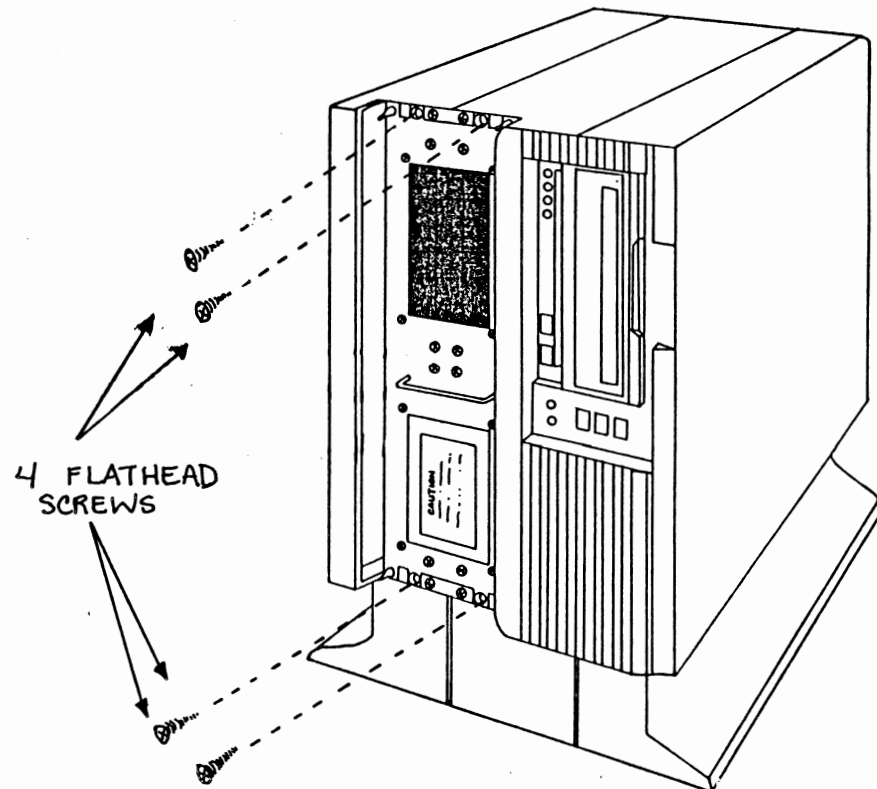
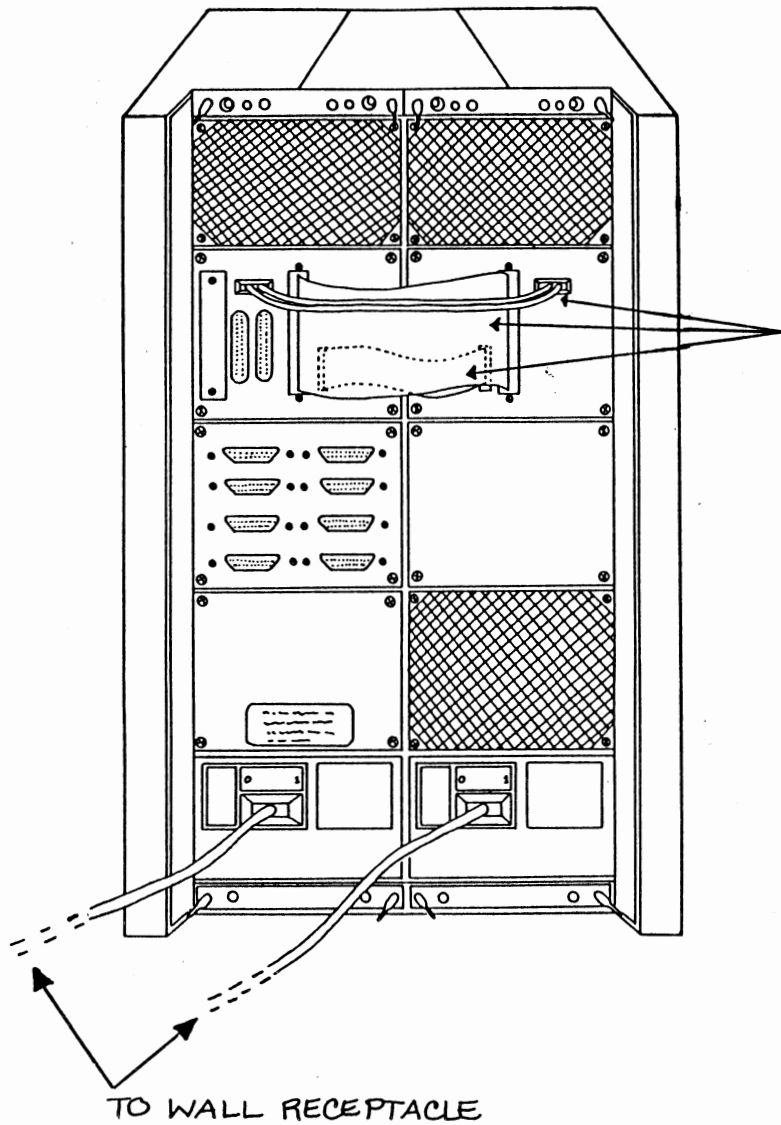
← CLOSE UP OF WHITE PLASTIC HEAD LOCK SWITCH. TO UNLOCK HEADS, TURN SWITCH (SHOWN IN THE "ON" POSITION) TO "OFF."

Unlocking Heads

STEP 5: Reconnect the three cables at the back of the unit which connect the two systems.

STEP 6: Replace the four flathead screws on the front panel.

STEP 7: Plug the unit into a wall receptacle and turn it on.



Please take a few minutes to complete this form. Your responses and comments will help us to improve the quality and usefulness of our publications.

Is the manual clear, complete and easy to understand? _____

Which features of the manual are the most useful? _____

Did you find any problems or errors? _____

Does the manual address your questions and answer them competently? _____

Do you have any other general comments? _____

Would you like a representative to call you? _____

Name _____ Street _____

Title _____ City _____

Company _____ State/Zip Code/Country _____

Department _____ Telephone No. _____

Fold Here

Fold Here

**Ford
Higgins Ltd.**



No Postage
Necessary
If Mailed
In The
United States

BUSINESS REPLY MAIL

FIRST CLASS PERMIT NO. 345 BOULDER, CO

POSTAGE WILL BE PAID BY ADDRESSEE

**Ford/Higgins Ltd.
4755 Walnut Street
Boulder, Colorado 80301-9989**

Attn: J. David Higgins - President

