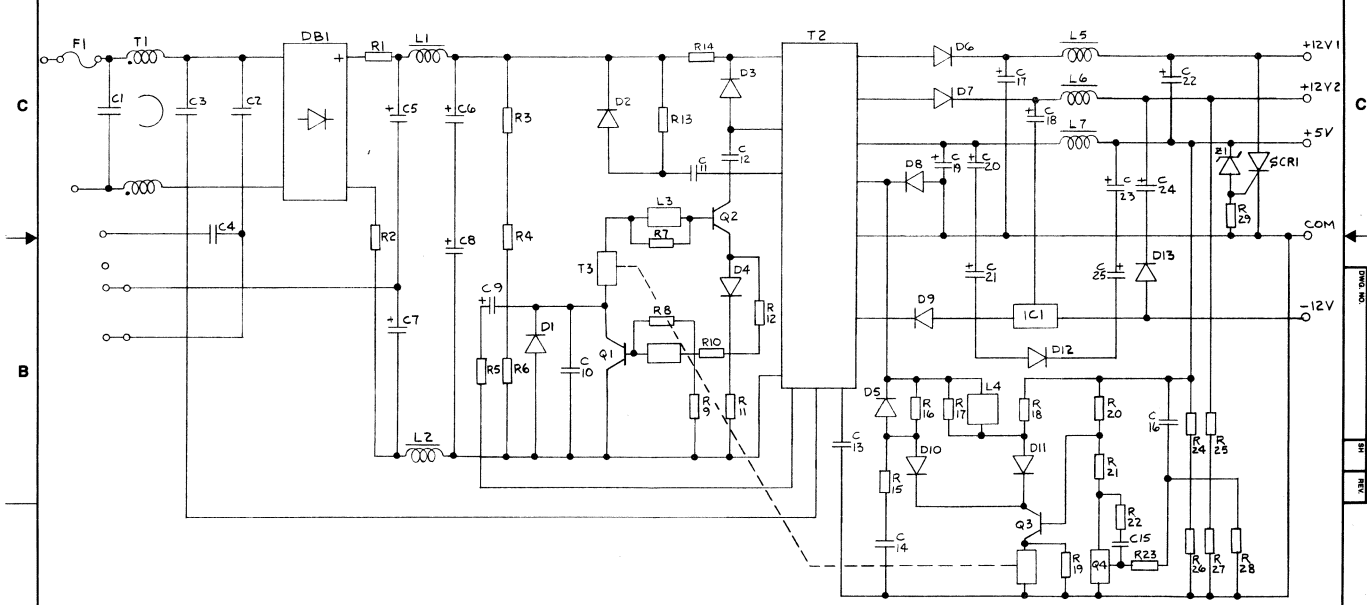


										REVISIONS					
										TIME	REV	DESCRIPTION	DATE	APPROVED	
R	R1, R2		R3, R4, R6		R7, 8, 9, 10, 13, 14		R11, 12		R15, 16, 17		R18, 19, 20, 21, 22, 23		R24, 25, 26, 27, 28, 29		
C	C1	C3	C4, C2		C5, C7	C6, C8, C9		C10	C11, C12	C13	C14	C19, 20, 21		C17, C18	C23, 24, 25, 22, 16
L/T	T1		L1, L2		T3		L3	T2		L4		L5, 6, 7			
D/Q			D1		D2, Q1	D3, Q2, Q4		D5, 6, 7, 8, 9, 10		D11, Q3, D12, Q4		D13			
MISC FI	DB1								L4		Z1, SCRI				

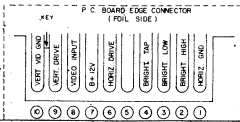
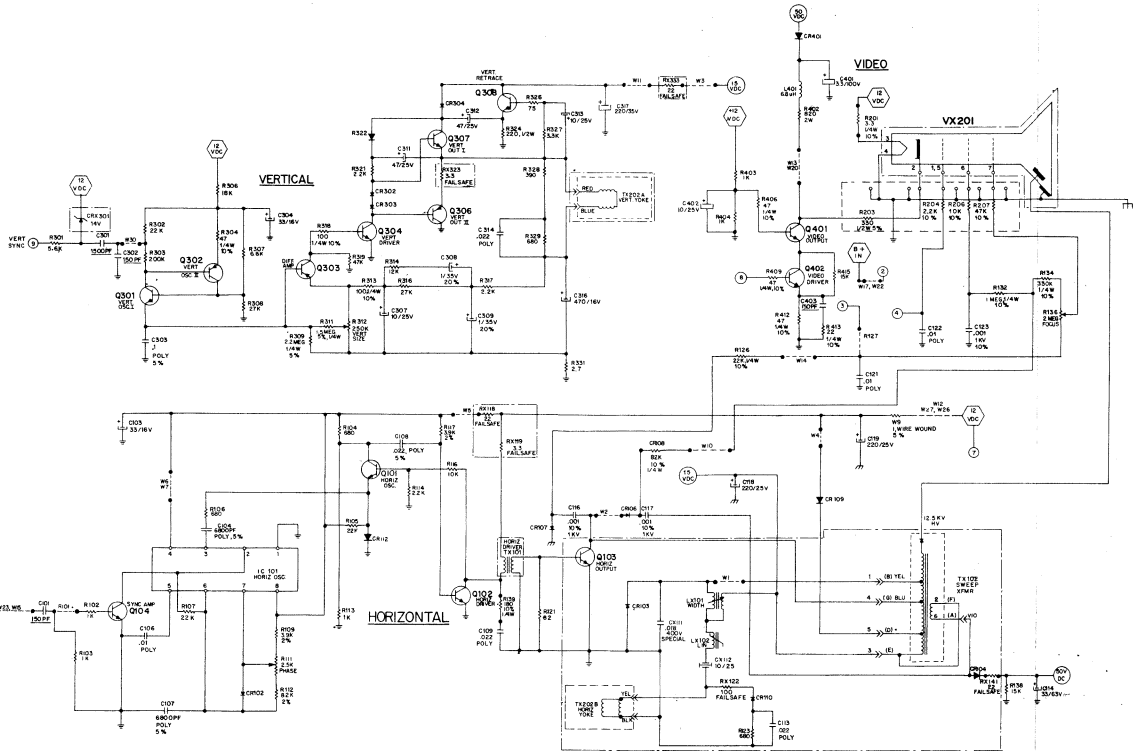


UNLESS OTHERWISE SPECIFIED DIMENSIONS ARE IN INCHES FRACTIONS DECIMALS ANGLES

MATERIAL	ATX	APPROVALS	DATE
FRESH		SKIPPY	6/16/83
NEXT ASSY	USED ON	REVISED	
APPLICATION	DO NOT SCALE DRAWING	SCALE	A57EC

CONTRACT NO.		OSBORNE		Hayward, California 94545	
		COMPUTER CORPORATION		415-887-8000	
SIZE	FSCM NO.	DWG. NO.	REV		
C					
SCALE		A57EC		SHEET	

CHANGES
 REVISED BY: R. G. KELLY
 DATE: 11-25-64



○ - DC VOLTAGE SOURCE
 ◡ - DC VOLTAGE APPLIED
 NOTE 1. CUSTOMER SUPPLIED EXTERNAL PIN P EDGE CONNECTOR.

123-5657
 SHEET 2

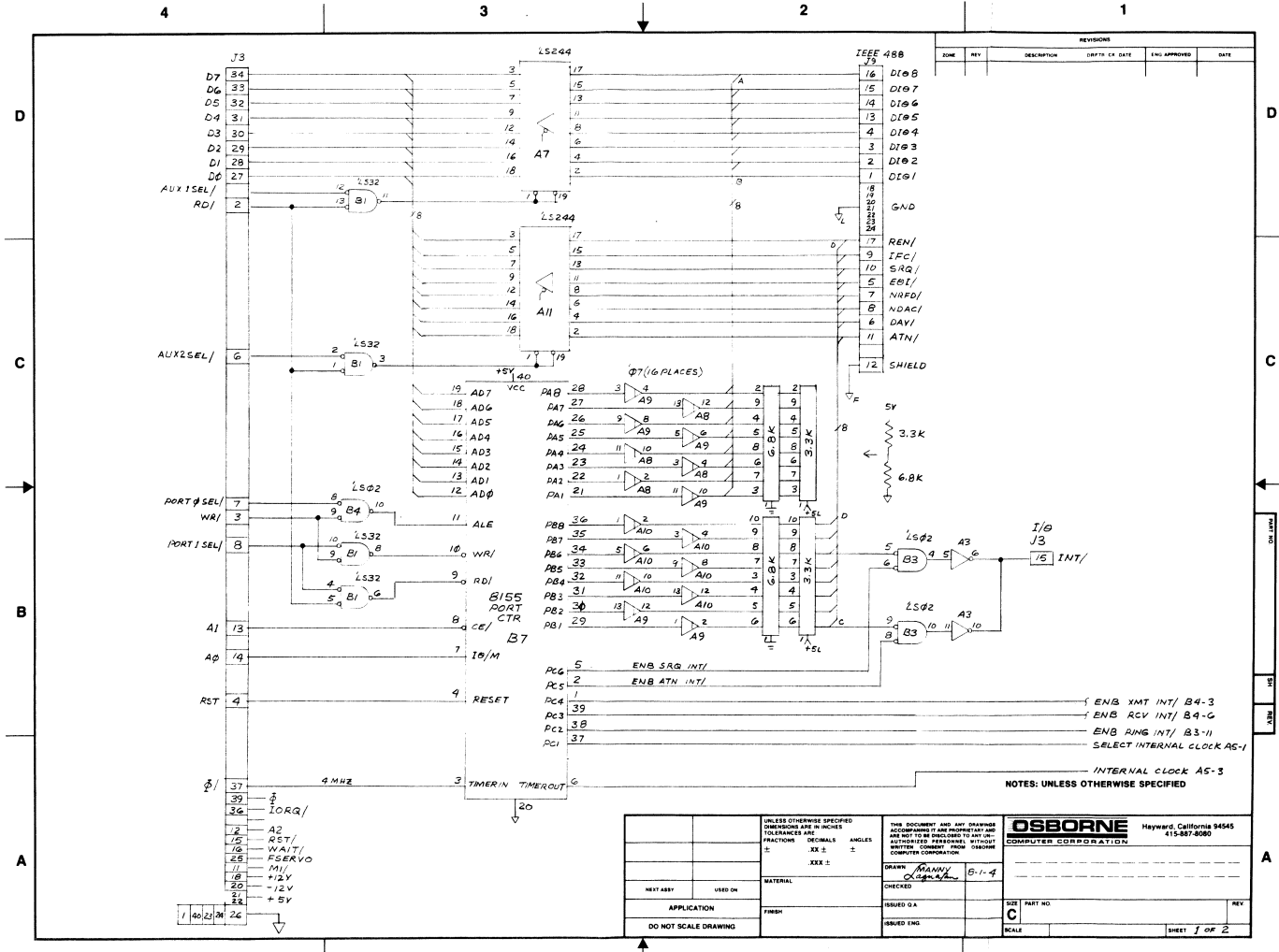
ONLY

DATE: 11-25-64
 DRAWN BY: R. G. KELLY
 CHECKED BY: R. G. KELLY
 APPROVED BY: R. G. KELLY

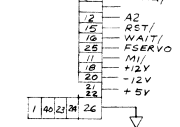
SCHEMATIC FOR DST VIDEO DISPLAY
 15.6 KHZ HORIZ SCAN FRQ

ZENITH RADIO CORP.
 CHICAGO, ILL.

123-5657

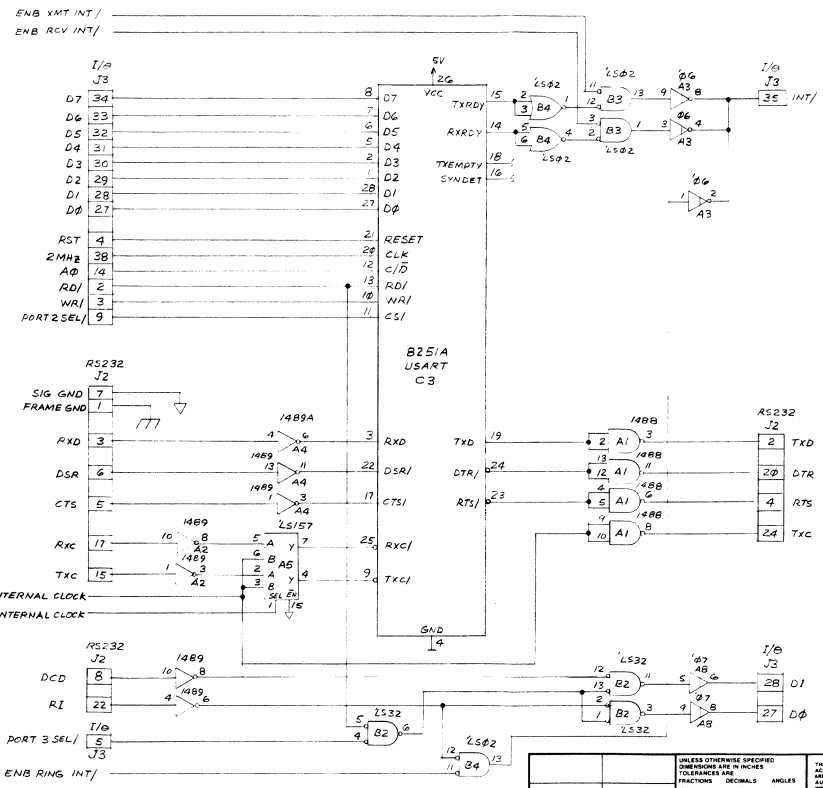


UNLESS OTHERWISE SPECIFIED DIMENSIONS ARE IN INCHES TOLERANCES ARE: FRACTIONS DECIMALS ANGLES ± ± ± XXX ±	THIS DOCUMENT AND ANY DRAWINGS ACCOMPANYING IT ARE PROPERTY OF AUTHORIZED PERSONNEL WITHOUT WRITTEN CONSENT FROM OSBORNE COMPUTER CORPORATION	OSBORNE COMPUTER CORPORATION Hayward, California 94545 415-887-9080
DRAWN: <u>MANLY</u> CHECKED: <u>COLLEEN</u> B-1-9	MATERIAL: _____ FINISH: _____	SIZE: <u>C</u> PART NO: _____ SCALE: _____
NEXT ASSY: _____ USED ON: _____ APPLICATION: _____ DO NOT SCALE DRAWING	ISSUED QA: _____ ISSUED ENG: _____	REV: _____ SHEET 1 OF 2



REVISIONS					
ZONE	REV	DESCRIPTION	DATE	ENG APPROVED	DATE

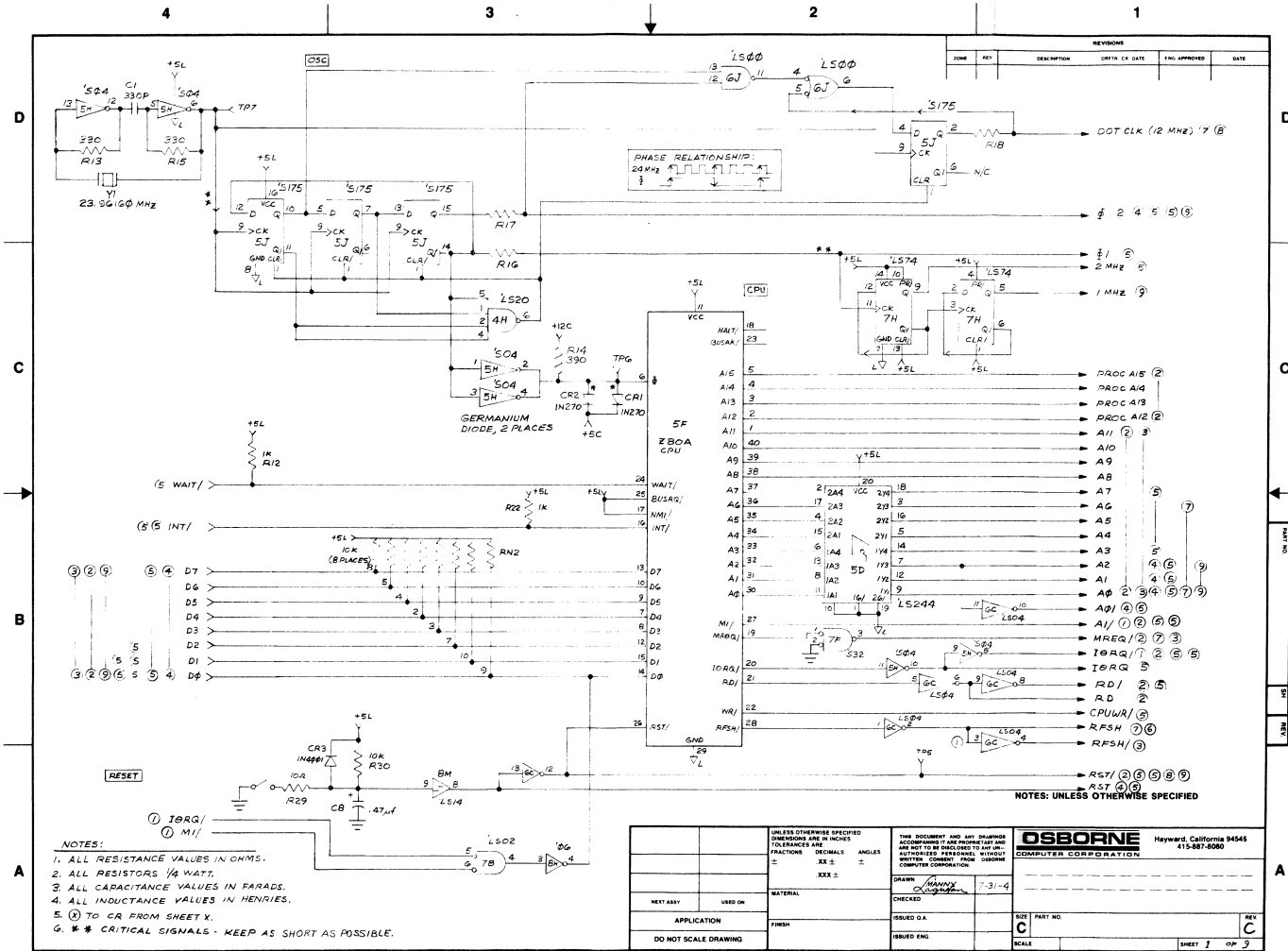
D
C
B
A



NOTES: UNLESS OTHERWISE SPECIFIED

<p>UNLESS OTHERWISE SPECIFIED DIMENSIONS ARE IN INCHES TOLERANCES ARE: FRACTIONS DECIMALS ANGLES XX ± ±</p>		<p>THIS DOCUMENT AND ANY DRAWINGS ACCOMPANYING IT ARE PROPRIETARY AND ARE NOT TO BE ENCLOSED TO ANY UN- AUTHORIZED PERSONNEL WITHOUT WRITTEN CONSENT FROM OSBORNE COMPUTER CORPORATION.</p>		<p>OSBORNE Hayward, California 94545 COMPUTER CORPORATION 415-887-8080</p>	
<p>DATE: <u>11/1/82</u></p>	<p>DESIGNER: <u>MANN</u></p>	<p>DRAWN: <u>MANN</u></p>	<p>CHECKED: <u>C. C. C. C.</u></p>	<p>SCALE: <u>B-1-4</u></p>	<p>PART NO. <u> </u></p>
<p>APPROVED: <u> </u></p>	<p>ISSUED: <u>0-A</u></p>	<p>FINISH: <u> </u></p>	<p>ISSUED: <u> </u></p>	<p>SCALE: <u> </u></p>	<p>REV: <u> </u></p>
<p>DO NOT SCALE DRAWING</p>				<p>SHEET <u>2</u> OF <u>2</u></p>	<p>SCALE: <u> </u></p>

D
C
B
A



- NOTES:**
1. ALL RESISTANCE VALUES IN OHMS.
 2. ALL RESISTORS 1/4 WATT.
 3. ALL CAPACITANCE VALUES IN FARADS.
 4. ALL INDUCTANCE VALUES IN HENRIES.
 5. (X) TO CR FROM SHEET X.
 6. * * CRITICAL SIGNALS - KEEP AS SHORT AS POSSIBLE.

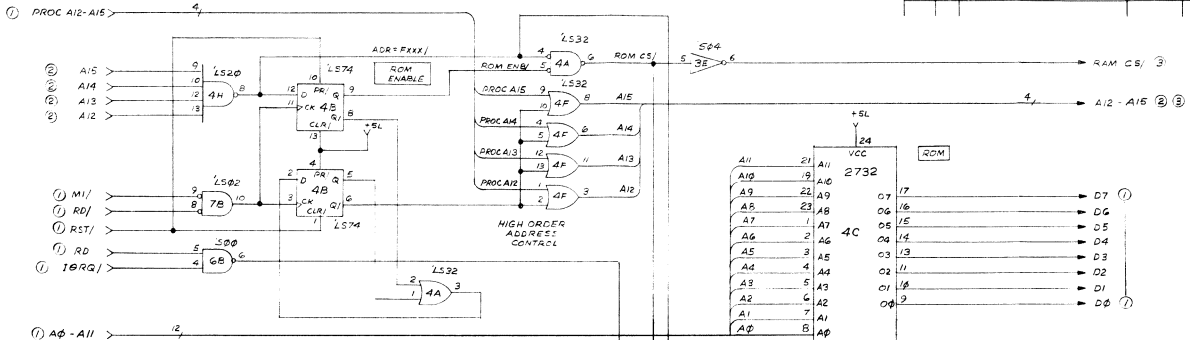
NOTES: UNLESS OTHERWISE SPECIFIED

UNLESS OTHERWISE SPECIFIED DIMENSIONS ARE IN INCHES FRACTIONS DECIMALS ANGLES XX ±		THIS DOCUMENT AND ANY MATERIALS HEREON ARE UNCLASSIFIED DATE 05-08-2011 BY 60322 UNLESS INDICATED OTHERWISE		OSBORNE COMPUTER CORPORATION	
NEXT ASSY	USED ON	MATERIAL	DRAWN <i>MANN</i>	7-31-4	HEAD OFFICE
APPLICATION		FINISH	CHECKED	ISSUED QA	SIZE PART NO.
DO NOT SCALE DRAWING		REVISED ENG.	SCALE	SCALE	REV C

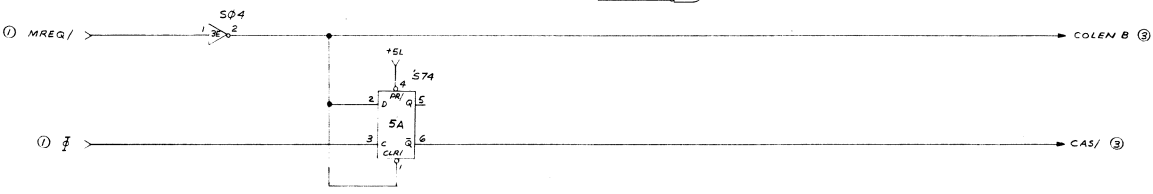
OSBORNE Computer Corporation, Hayward, California 94545, 415-887-8000

Sheet 7 of 3

REVISIONS					
ZONE	REV	DESCRIPTION	DATE	ENL. APPROVED	DATE

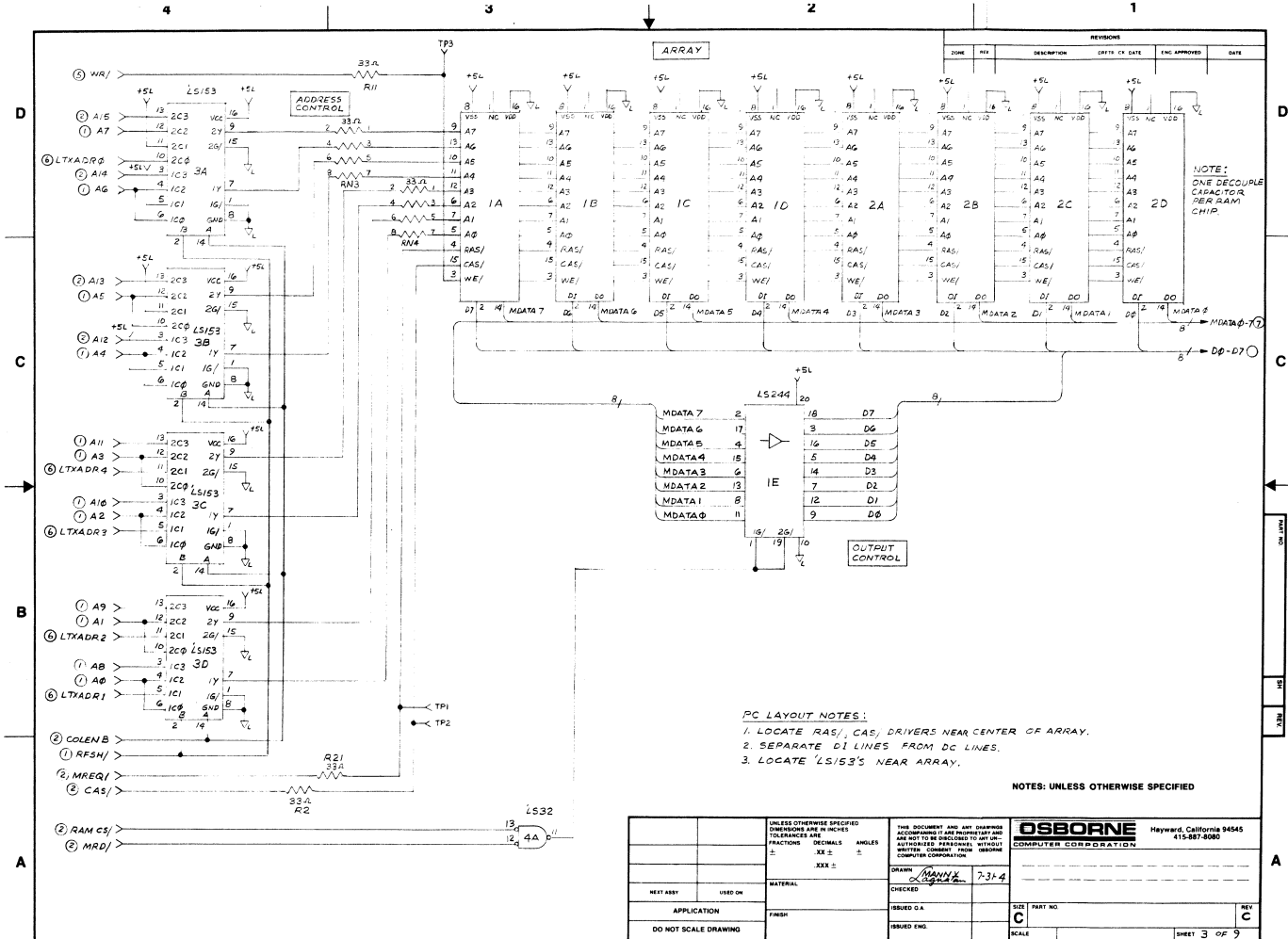


NOTES:
1. F0000 (ROM) SHOULD CONTAIN C3 XXX



NOTES: UNLESS OTHERWISE SPECIFIED

UNLESS OTHERWISE SPECIFIED DIMENSIONS ARE IN INCHES FRACTIONS AND DECIMALS ANGLES XX ±		THIS DOCUMENT AND ANY DRAWINGS HEREON ARE THE PROPERTY OF OSBORN AND ARE NOT TO BE DISCLOSED TO ANY UN- AUTHORIZED PERSONS WITHOUT THE WRITTEN CONSENT OF OSBORN COMPUTER CORPORATION		OSBORN COMPUTER CORPORATION Hayward, California 94545 415-887-9090	
DRAWN: <i>MANNY</i>		CHECKED: <i>Manly</i>		SIZE: PART NO: C	
MATERIAL:		FINISH:		SCALE:	
NEXT ASSY USED ON:		ISSUED DA:		REV: C	
APPLICATION:		ISSUED ENO:		SHEET 2 OF 2	
DO NOT SCALE DRAWING					



NOTE:
ONE DECOUPLE
CAPACITOR
PER RAM
CHIP.

PC LAYOUT NOTES:
1. LOCATE RAS, CAS, DRIVERS NEAR CENTER OF ARRAY.
2. SEPARATE G.I. LINES FROM DC LINES.
3. LOCATE 'LS153'S NEAR ARRAY.

NOTES: UNLESS OTHERWISE SPECIFIED

OSBORNE Hayward, California 94545
415-887-0080

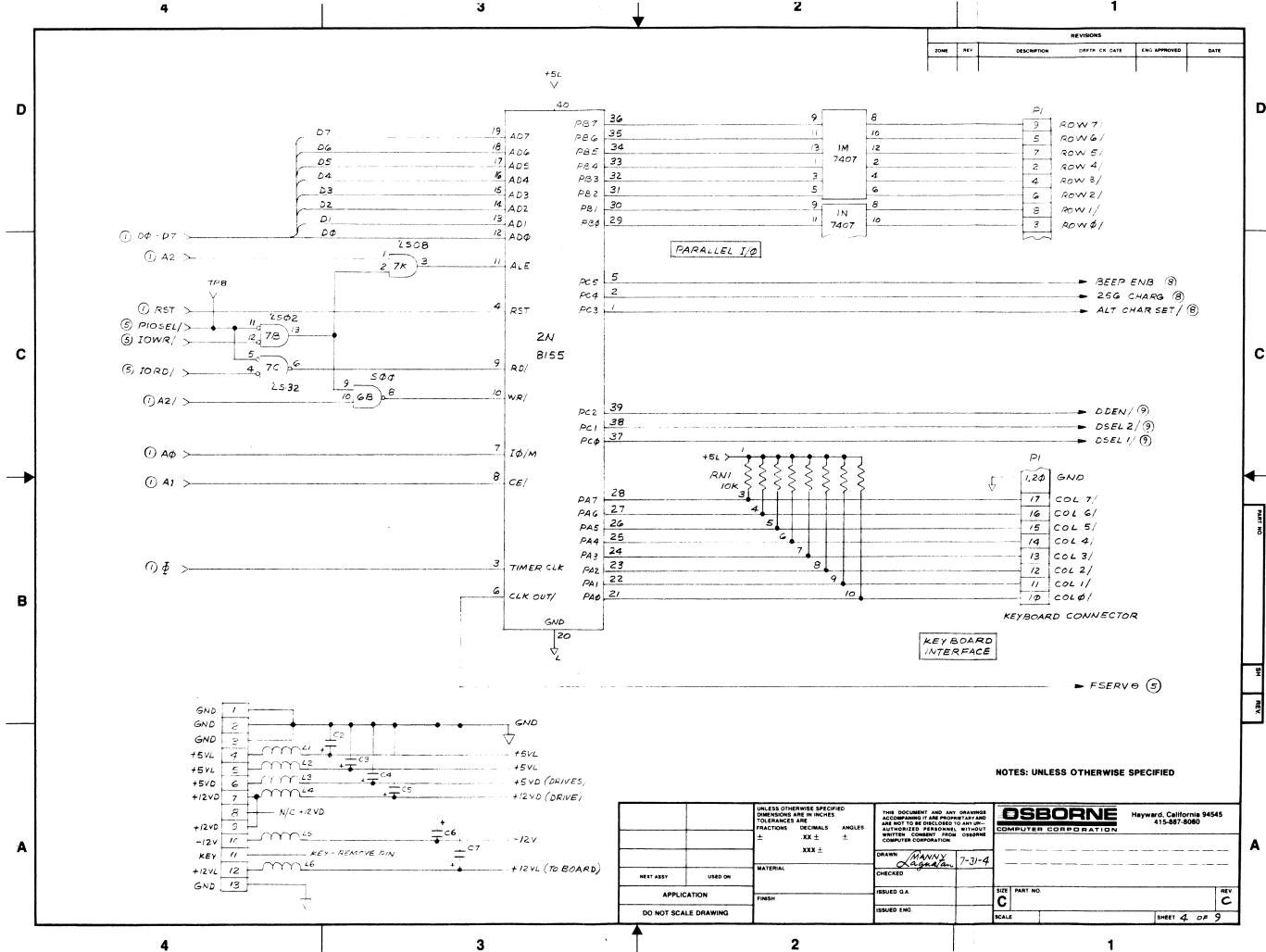
COMPUTER CORPORATION

DRAWN BY: *MANN* 7-31-74

UNLESS OTHERWISE SPECIFIED DIMENSIONS ARE IN INCHES TOLERANCES ARE FRACTIONS DECIMALS ANGLES ± ± ±	THIS DOCUMENT AND ANY DRAWINGS ACCORDING TO ANY PURCHASE ORDER AND NOT TO BE DISCLOSED TO ANY UN- AUTHORIZED PERSONNEL WITHOUT WRITTEN CONSENT FROM OSBORNE COMPUTER CORPORATION																		
<table border="1"> <tr> <td>DATE</td> <td>REV</td> <td>DESCRIPTION</td> <td>DATE</td> <td>BY</td> </tr> <tr> <td> </td> <td> </td> <td> </td> <td> </td> <td> </td> </tr> </table>	DATE	REV	DESCRIPTION	DATE	BY						<table border="1"> <tr> <td>ISSUED O.A.</td> <td>SCALE</td> <td>SHEET NO.</td> <td>REV</td> </tr> <tr> <td> </td> <td> </td> <td> </td> <td> </td> </tr> </table>	ISSUED O.A.	SCALE	SHEET NO.	REV				
DATE	REV	DESCRIPTION	DATE	BY															
ISSUED O.A.	SCALE	SHEET NO.	REV																
<table border="1"> <tr> <td>NEXT ASSY</td> <td>USED ON</td> <td>MATERIAL</td> <td>CHECKED</td> </tr> <tr> <td> </td> <td> </td> <td> </td> <td> </td> </tr> </table>	NEXT ASSY	USED ON	MATERIAL	CHECKED					<table border="1"> <tr> <td>APPLICATION</td> <td>FRESH</td> <td>ISSUED E.O.</td> <td>SCALE</td> </tr> <tr> <td> </td> <td> </td> <td> </td> <td> </td> </tr> </table>	APPLICATION	FRESH	ISSUED E.O.	SCALE						
NEXT ASSY	USED ON	MATERIAL	CHECKED																
APPLICATION	FRESH	ISSUED E.O.	SCALE																

DO NOT SCALE DRAWING

SHEET 3 OF 9



REVISIONS				
TIME	REV	DESCRIPTION	DATE	BY

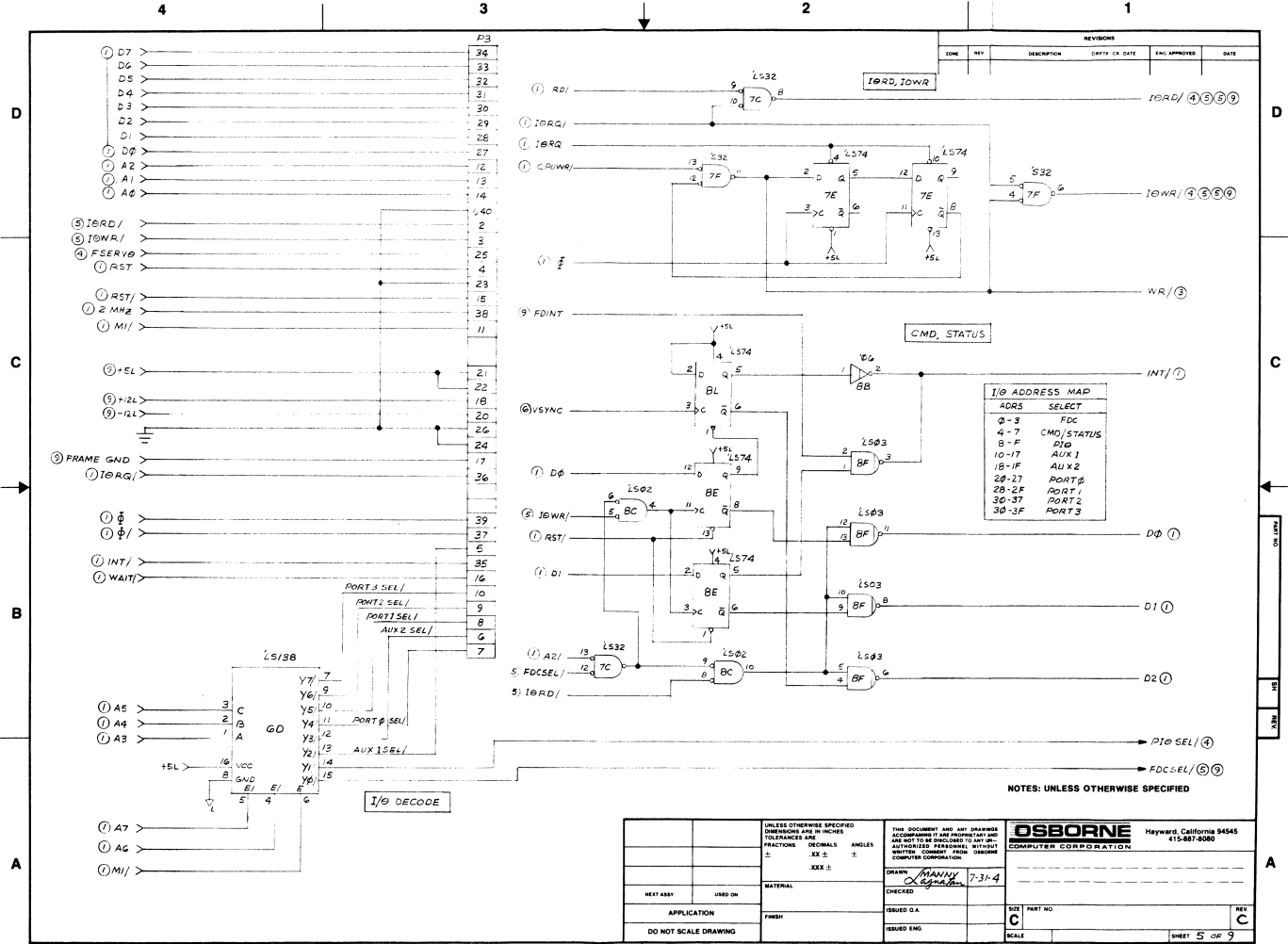
P2		ROW 7 /
3	3	ROW 7 /
5	5	ROW 6 /
7	7	ROW 5 /
2	2	ROW 4 /
4	4	ROW 3 /
6	6	ROW 2 /
8	8	ROW 1 /
9	9	ROW 0 /

P1		KEYBOARD CONNECTOR
1, 20	GND	
17	COL 7 /	
16	COL 6 /	
15	COL 5 /	
14	COL 4 /	
13	COL 3 /	
12	COL 2 /	
11	COL 1 /	
10	COL 0 /	

NOTES: UNLESS OTHERWISE SPECIFIED

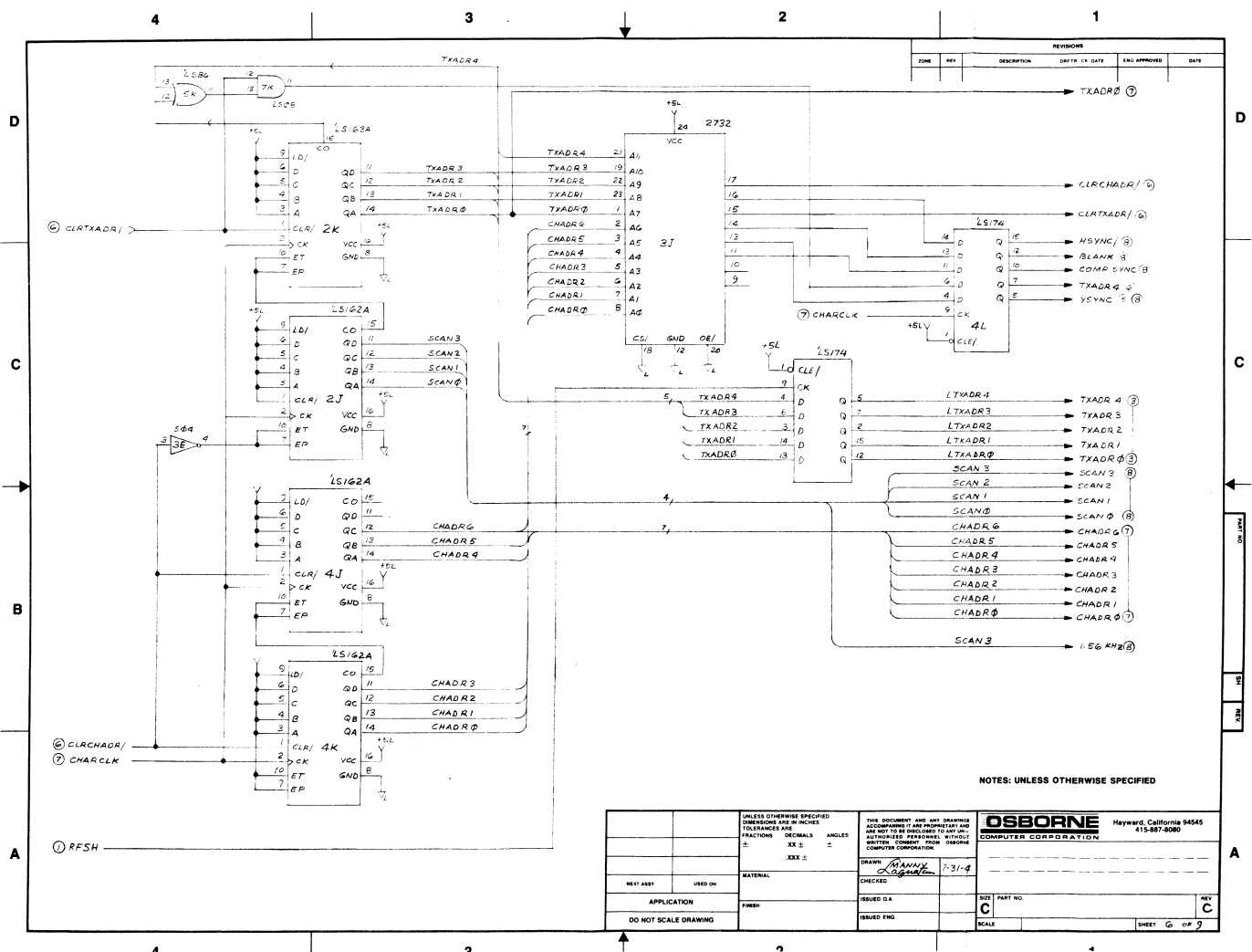
UNLESS OTHERWISE SPECIFIED DIMENSIONS ARE IN INCHES FRACTIONS DECIMALS ANGLES 16 10 16		THIS DOCUMENT AND ANY DRAWINGS ACCOMPANYING IT ARE PROPERTY AND ARE NOT TO BE REPRODUCED OR DISTRIBUTED PERSONALLY WITHOUT WRITTEN PERMISSION FROM OSBORNE CORPORATION	DRAWN: <i>MANNY</i>	DATE: 7-31-74
MATERIAL: XXX ±			CHECKED: <i>OSBORNE</i>	
NET ASSY:	USED ON:	ISSUED QA:	SIZE: C	PART NO:
APPLICATION:	FRESH:	ISSUED ENG:	SCALE:	SHEET 4 OF 9
DO NOT SCALE DRAWING				

OSBORNE
COMPUTER CORPORATION
Hayward, California 94545
415-887-8000

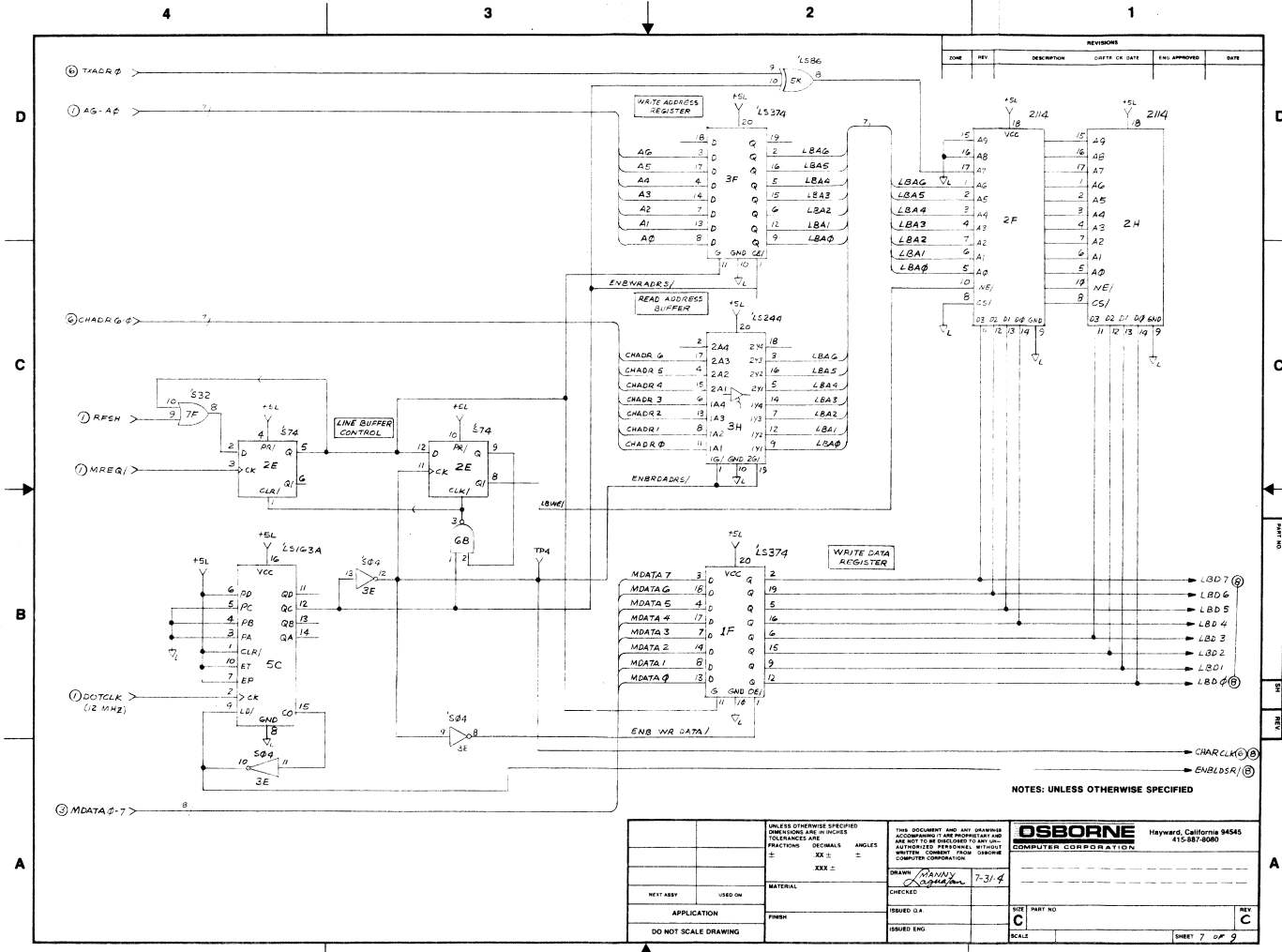


UNLESS OTHERWISE SPECIFIED DIMENSIONS ARE IN INCHES TOLERANCES ARE: FRACTIONS DECIMALS ANGLES ± .010 ± .005 ± .010 XXX ± .010	THIS DOCUMENT AND ANY DRAWINGS HEREON ARE THE PROPERTY OF OSBORN AND SHOULD BE RETURNED TO AN AUTHORIZED REPRESENTATIVE WITHOUT DELAY. CONSULT FORM OSBORN COMPUTER CORPORATION.
DRAWN: MANNY CHECKED: OSBORN	DATE: 7-31-74
NEXT ASST: _____	USED ON: _____
MATERIAL: _____	CHECKED: _____
APPLICATION: _____	ISSUED O.A. _____
DO NOT SCALE DRAWING	ISSUED END: _____

OSBORN COMPUTER CORPORATION	Hayward, California 94545 415-887-0000
SCALE: _____	PART NO: _____
REV: _____	REV: C
SHEET 5 OF 9	



		UNLESS OTHERWISE SPECIFIED DIMENSIONS ARE IN INCHES FRACTIONS DECIMALS ANGLES .XX ± .XX ± °	THIS DOCUMENT AND ANY DRAWING ACCORDING TO THE PROVISIONS AND AUTHORIZED PERSONNEL WITHOUT WRITTEN CONSENT FROM OSBORNE COMPUTER CORPORATION.		OSBORNE Haywards, California 94545 415-887-8090 COMPUTER CORPORATION
DRAWN BY: <i>M. HANX</i>		DATE: 7-31-8			
DATE	USED ON	MATERIAL	CHECKED	REVISED DATE	SIZE PART NO.
APPLICATION		FIBER	REVISED DATE	SCALE	REV C
DO NOT SCALE DRAWING					SHEET 6 OF 9



REVISIONS				
ZONE	REV	DESCRIPTION	DATE	CHK'D BY

UNLESS OTHERWISE SPECIFIED DIMENSIONS ARE IN INCHES TOLERANCES ARE FRACTIONS DECIMALS ANGLES ± .XX ± °		THIS DOCUMENT AND ANY DRAWINGS HEREON ARE UNCLASSIFIED AND ANY RESTRICTIONS ARE HEREBY REMOVED EXCEPT WHERE SHOWN OTHERWISE DATE 11/19/01 BY 60324		OSBONE Hayward, California 94545 COMPUTER CORPORATION 415-887-6080
MATERIAL FINISH CHECKED DRAWN: <i>DANNY</i> DATE: 7-31-74	NEXT ASSY USED ON APPLICATION DO NOT SCALE DRAWING	ISSUED BY ISSUED ENG	SIZE PART NO SCALE SHEET 7 OF 9	

NOTES: UNLESS OTHERWISE SPECIFIED

4 3 2 1

D

C

B

A

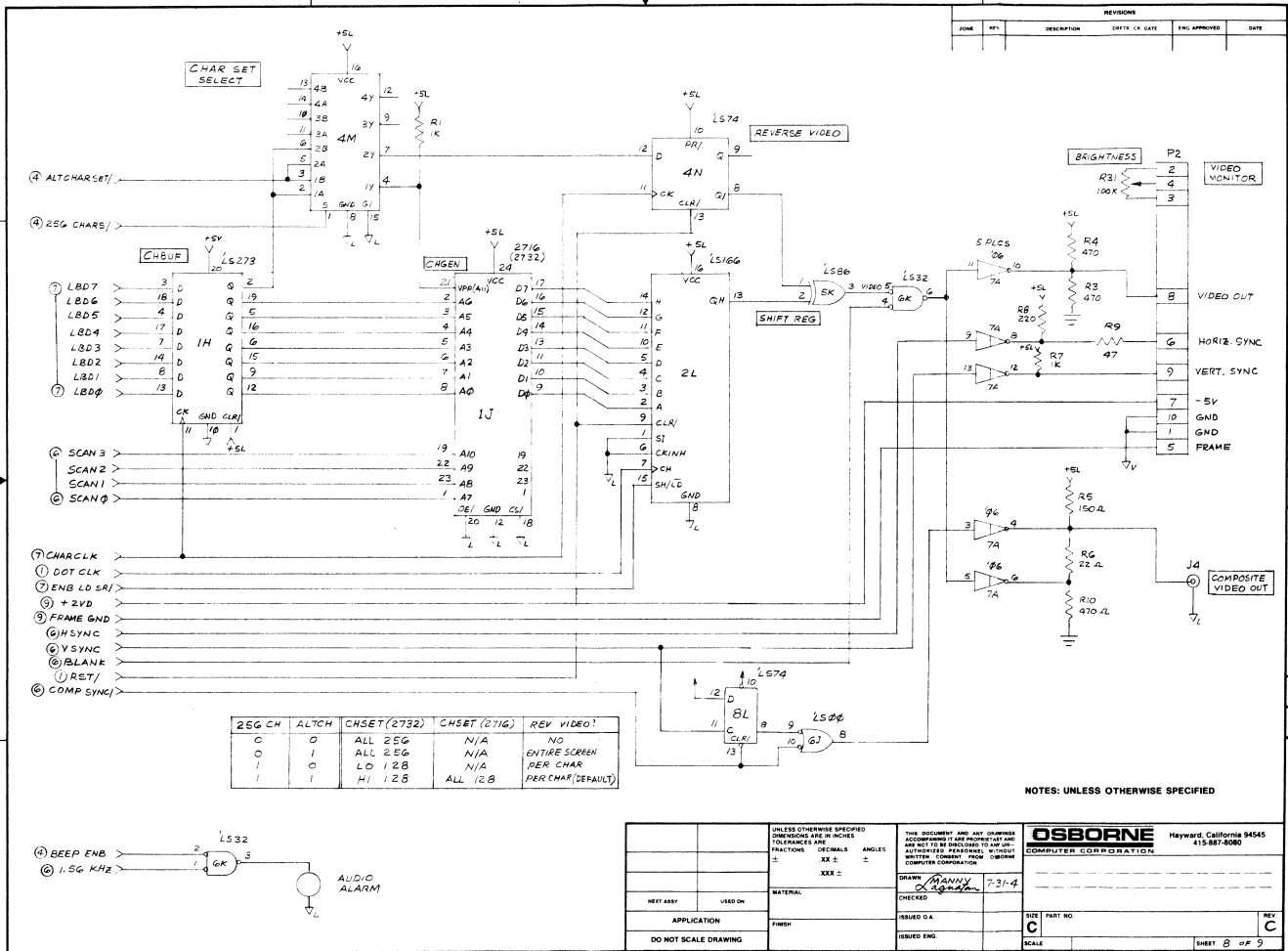
DO NOT SCALE DRAWING

31

REV

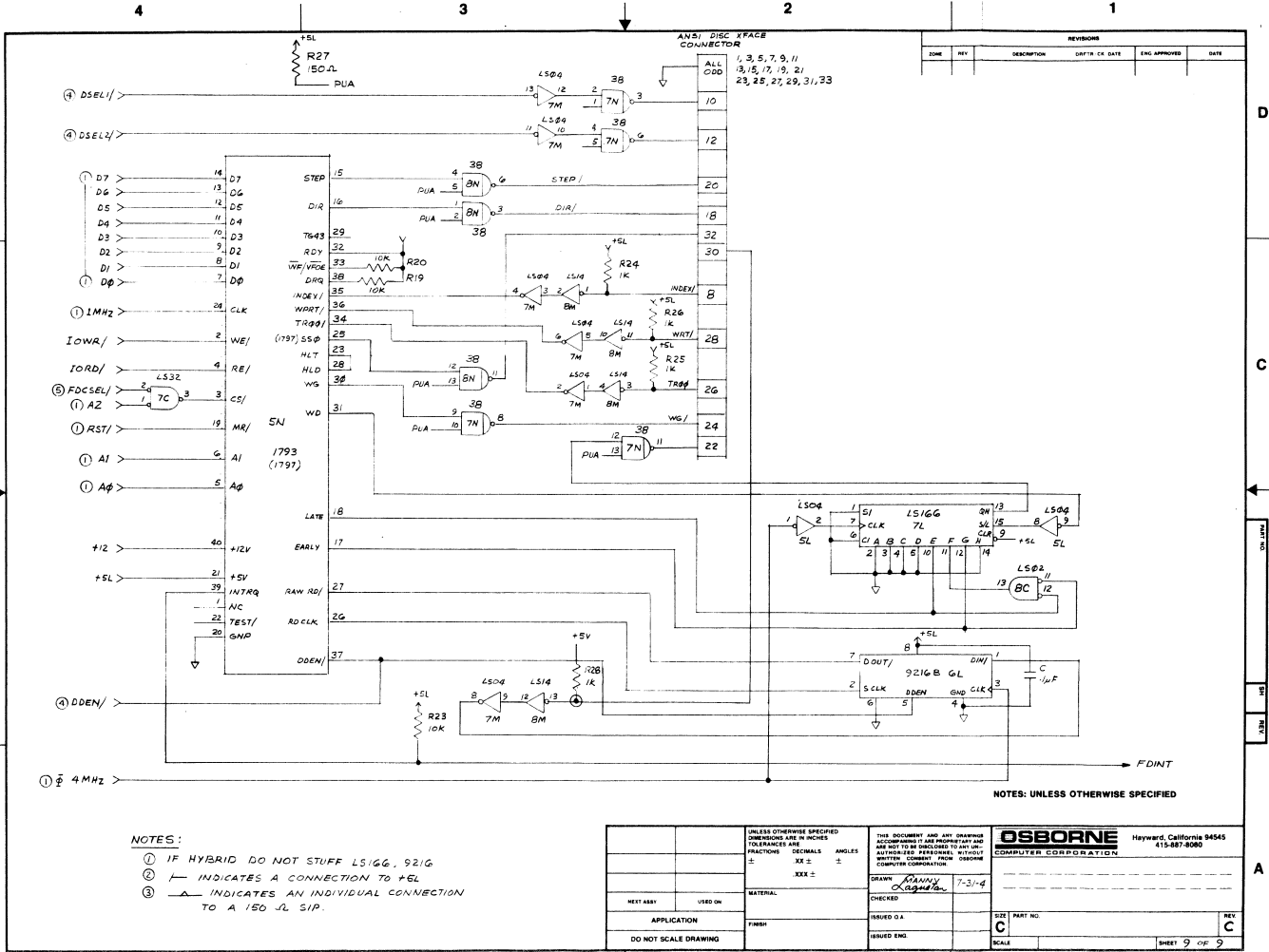
31

REV



25G CH	ALTN	CHSET (2732)	CHSET (2716)	REV VIDEO?
0	0	ALL 25G	N/A	NO
0	1	ALL 25G	N/A	ENTIRE SCREEN
1	0	LO 12B	N/A	PER CHAR
1	1	H1 12B	ALL 12B	PER CHAR (DEFAULT)

UNLESS OTHERWISE SPECIFIED DIMENSIONS ARE IN INCHES FRACTIONS DECIMALS ANGLES 1/16 1/32 1/64 1/8 1/4 1/2 3/4 1 1 1/2 2 3 4 5 6 8 10 12 15 20 25 30 36 45 60 90 120 150 180		THIS DOCUMENT AND ANY DIMENSIONS ACCOMPANYING IT ARE HEREBY AUTHORIZED FOR REPRODUCTION WITHOUT CHARGE BY THE OSBORNE COMPUTER CORPORATION		OSBORNE COMPUTER CORPORATION Haystack California 94545 415-887-8080	
DRAWN BY MANN DATE 7-31-74	CHECKED DATE 7-31-74	MATERIAL PART NO.	SIZE C	PART NO.	REV C
NEXT ASSY USED ON	APPLICATION	FINISH	SCALE	SHEET 8 OF 9	DATE
DO NOT SCALE DRAWING					



D

D

C

C

B

B

A

A

4

3

2

1

4

3

2

1