

# Indian Hill Computation Center QUICK REFERENCE GUIDE

Bell Labs  
Version 1.0

November 1983

Computing Technology Center—4526  
J. A. Githens, Director  
IH Computing Technology 45261  
J. C. Hsu, Department Head  
Computing and Networking Technology 45262  
H. M. Jackson II, Department Head

## Indian Hill Computation Center Services

<b>Help Desk</b>	<b>x3333</b>	
Counseling Service	x2237	IH 4B-246
UNIX™	x7214	IW 1E-348
	x0665	IX 1M-301
OS/MVS/TSO	x6210	IH 4B-243
	x7214	IW 1E-348
TSS	x4653	IH 4B-243
	x7214	IH 1E-348
Output Service Areas (I/O)		
IH MAIN	x2347	IH 4B-201
IH SATELLITE	x4832	IH 6G-401
IW SATELLITE	x7252	IW 1E-351
IX SATELLITE	x1350	IX 1E-312
Operations Supervision		
IH MAIN	x3513	IH 4E-202
IX & IW SATELLITE	x1349	IX 1A-128
Computer Accounting Office	x2345	IH 4B-247
IH Main Tape Library	x3534	IH 4K-201
Interlocation Networking	x2522	IH 4E-202



BELL LABORATORIES  
PROPRIETARY—  
Not for use or disclosure outside  
Bell Laboratories except by written  
approval of the Director of the origi-  
nating organization (see G.E.I. 2.2)

## Computer Accounting

The Accounting Office assigns account numbers, creates and destroys TSS userids, UNIX logins, TSO logonids, and distributes the current external security password, assigns bins, resets passwords, and collects and reports charges for each account number.

Accounting Office Coordinator	x2345	IH 4B-247
OS/MVS BATCH/TSO LOGON	x2749	
UNIX LOGIN	x5661	
TSS USERID	x2183	
External Security Password	x4329	
Employee Termination Processing	x4329	

## Getting Started

1. Get a Computer Services Request form from the Accounting Office or Local Comp Center. Fill it out, have it signed, and return it to computer accounting. You will receive notification in your bin that your account is ready.
2. Have your department order a green DIMENSION® PBX phone or hardwired connection (IH 4B-259, x 2403) and modems and terminals, as appropriate.
3. Go to the Computing Information Library and obtain appropriate documentation (IH 7C-102).
4. Have Data Entry add your name to the Programmer Information Bulletin (PIB) mailing list.

## Support Services

DISK SPACE OS	x3323	IH 1C-238
TSS STORAGE ALLOCATION AND TIMEBACKS	x2018	IH 4B-253
DATA ENTRY*	IH x3206	IH 4B-237
	IW, IX x0664	IX 1M-301
HARDWIRED CONNECTIONS	x6544	IH 4B-264
DIMENSION SYSTEMS TELECOMMUNICATIONS (DEPT. 77734)	x3456	IH 4B-172
COMPUTING INFORMATION LIBRARY (DEPT 77146)	x3514	IH 7C-102

\*Creates/modifies view graphs, memos, letters, program source, etc., on TSS, TSO or UNIX.

Location	Help Desk	Counseling Services				SYSTEM STATUS	CORNET Numbers
		UNIX	OS/MVS TSO	ACF2	TSS		
IH	3333	2237	6210	6871	4653	3333	8-367
IW	3333	7214	7214	7214	7214	3333	8-367
IX	3333	0665	0665	0665	0665	3333	8-367
HO	3800	2220	4835	4835	N/A	3800	8-233
CB	2272	2526	2151	2526	N/A	2271	8-353
WH	2172	2172	4313	2172	N/A	7028	8-232
MH	6400	3431	4661	N/A	3431	5421	8-231

## Call the Help Desk

when you need any kind of computing information and you don't know where else to call

for information about the current operational status of computing resources, e.g., host systems, output services, or network links

for information about system-access telephone numbers

for information about system-time and hardware-maintenance schedules (local and interlocation)

for requests to cancel or modify the priority of a job or task (where allowed)

to report any system malfunctions, e.g., bad lines, busy hunt groups, system down or lost jobs. The help desk will log these problems and assign them to the appropriate personnel.

## Call a Counselor

for system interface information, utility/command usage, tape problems, networking information, compiler/assembler problems

for learning resources, information about documentation or available tools

for help with transition to a new release of an operating system

to investigate unusual computer accounting charges

for help with data-set problems

## SECURITY

### COMPUTING SECURITY

It is the responsibility of each user to take prudent measures to safeguard his or her access capabilities to computing facilities (i.e., telephone numbers, personal identity numbers, and passwords). Further, it is each user's responsibility to protect any data and programs that he or she creates from loss or unauthorized disclosure. The more common facilities for computer access and securing data are listed below.

### ACCESS SECURITY

#### EXTERNAL SECURITY PASSWORD (ESP)

- is considered proprietary-private.
- allows access from outside source (home, other BTL locations, etc.).
- requires ESP request form from IH computer accounting office.
- must be authorized by department head.
- is distributed by computer accounting office.
- changes monthly or when necessary.

### PASSWORD STANDARDS

Passwords are intended to be private to each LOGIN/USERID.

- Minimum length of six characters
- At least two alpha characters and one numeric or national character
- Must differ in at least three character positions from previous password. Cannot be the same as the logon ID or account number or any reverse or circular shift thereof
- Maximum age of six months. Once changed, the password cannot be changed for at least one week

For more information, refer to PIB IH-1982.1.

## DATA SECURITY

OS/MVS/TSO Access Control Facility—2 (ACF2) is a security system that controls system access and provides for controlled data sharing. Refer to PIB IH-1982.85 and IH-1983.40.

UNIX The CHMOD command controls access permissions to UNIX system files. The UMASK value initializes new files to the desired mode of protection. Refer to PIB IH-1983.11.

TSS Controlled data sharing is accomplished using SHARE and PERMIT commands. TSS BATCH JOB SECURITY is currently under development.

## DOCUMENT SECURITY

STANDARD FOR IDENTIFYING AND HANDLING SENSITIVE OUTPUT—PIB IH-1983.16 describes how division 452 Computer Centers handle sensitive output. The following document markings should be used when appropriate. Refer to G.E.I. 2.2 for more details.

### BELL SYSTEM DISTRIBUTION

- Notice
- Private

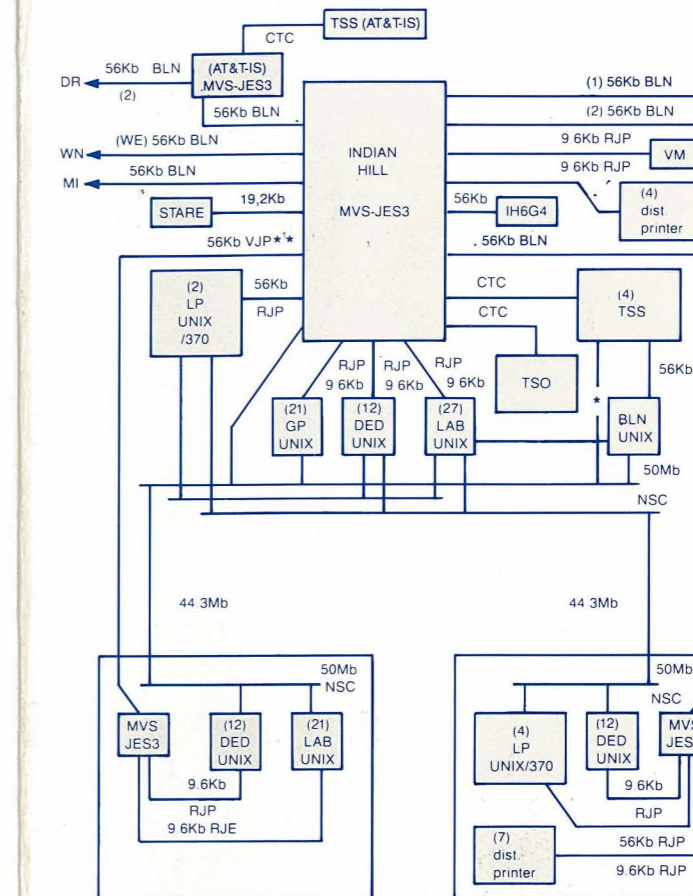
### BELL LABORATORIES DISTRIBUTION

- Bell Laboratories Proprietary
- Bell Laboratories Proprietary—Notice
- Bell Laboratories Proprietary—Private

Paper shredders are available for proper disposal of sensitive documents in the I/O areas of IW, IX and IH MAIN comp centers.

Security issues pertaining to the computation center environment should be reported to the SECURITY OFFICER, x5620.

## INDIAN HILL NETWORK CONFIGURATION



Indian Hill West

Indian Hill South

\*proposed links

\*\*scheduled to convert BLN

- BLN - Bell Labs Network
- RJP - Remote Job Processing
- NSC - Network Systems Corporation HYPERchannel™
- VJP - Viperdae Job Processing Network

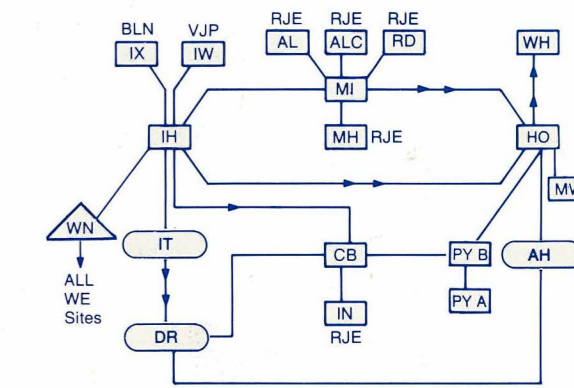
## Networking Services Commands

FILE TRANSFER	Computer System		
	UNIX	TSS	MVS/TSO
usend nusend fsend uucp **	usend mhsend	usend *filex	
REMOTE PRINTING	opr stare photo tplot	print opr	bprint
LINK AVAILABILITY	nscstat rjstat		
SUBMITTING NETWORK JOBS to MVS	send	osjob	submit

\*refer to PIB IH-1982.79

\*\*other less common methods of file transfers are documented in the UNIX System User's Manual.

## BTL Interlocation Network



KEY: Multiple Links Between Sites



- AH - Holmdel (AT&T-IS)
- AL - Allentown
- ALC - Allentown (Cedar Crest)
- CB - Columbus
- DR - Denver (AT&T-IS)
- HO - Holmdel
- IH - Indian Hill
- IT - Tangerine (AT&T-IS)
- IW - Indian Hill West
- IX - Indian Hill South
- MH - Murray Hill (Honeywell)
- MI - Murray Hill (IBM)
- MW - Merrimack Valley
- PYA - Piscataway "A"
- PYB - Piscataway "B"
- RD - Reading
- WH - Whippany
- WN - Warrenville (Western Electric)



## General-Purpose UNIX System User Information

Documentation (available from Computing Information Library, x3514, IH 7C-102)

- UNIX Programming Starter Package
- UNIX Text Editing Phototypesetting Starter Package
- UNIX System User's Manual (current release)
- UNIX BIBLIOGRAPHY

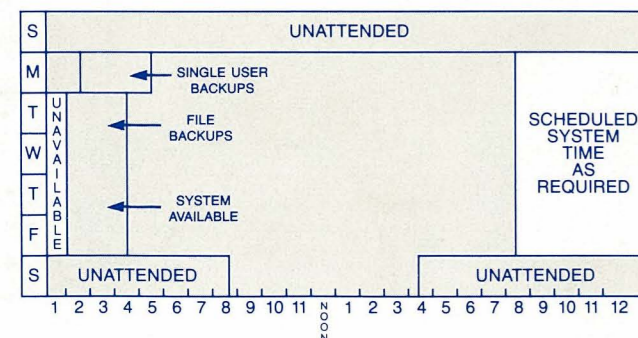
### On-Line Information Sources

- man
- UNIX Instructional Workbench Software
- news

### UNIX System Counseling

- IH x2237
- IW x7214
- IX x0665

### UNIX System Availability Schedule



Display the quarterly preventive maintenance (PM) schedule for your UNIX system by entering *news pm*.

## General-Purpose UNIX System User Information

### General-Purpose UNIX System Telephone Access Numbers

SYSTEM	CUSTOM 300/1200	EXTERNAL 300/1200	CORNET 300/1200
ihuxa	7169	260-1064	372-6468
ihuxb	7168	260-1045	372-6309
ihuxe	7175	260-1262	372-6952
ihuxf	7176	260-1257	372-6953
ihuxh	7757	682-9400	372-6503
ihuxi	7711	653-4100	372-6193
ihuxj	7719	653-4774	372-6197
ihuxk	7769	668-5726	372-6021
ihuxl	7759	668-5591	372-6022
ihuxm	7781	653-3915	372-6023
ihuxn	7782	653-5261	372-6370
ihuxo	7760	653-5160	372-6024
ihuxp	7770	653-6520	372-6025
ihuxq	7127	668-7606	372-6026
ihuxr	7128	668-2442	372-6345
ihuxs	7143	260-0004	372-6422
ihuxt	7144	260-0005	372-6586
ihuxu	7145	668-3318	372-6427
ihuxv	7146	668-3718	372-6539
ihuxw	7172	260-1051	372-6472
ihuxx	7171	260-1048	372-6470
iwu1a	7182	420-7480	372-6956
iwu1b	7183	355-8940	372-6958
iwu1c	7184	355-9001	372-6959
iwu1d	7185	357-2707	372-6957
ihu1e	7197	462-7502	372-6685
ihu1f	7196	462-7824	372-6684
ihu1g	7726	653-8310	372-6258
ihu1h	7728	653-8340	372-6256

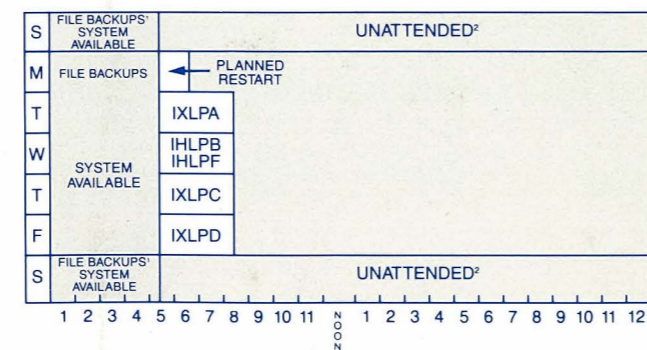
## UNIX System for the System/370 User Information

Refer to General-Purpose UNIX System User Information for Documentation, On-Line Information Sources and Counseling Information.

### UNIX System for the System/370 Telephone Access Numbers

SYSTEM	CUSTOM 300/1200	EXTERNAL 300/1200	CORNET 300/1200
ixlpa	7780	369-2919	372-6903
ihlpb	7150	260-0626	372-6476
ixlpc	7173	357-9410	372-6271
ixlpd	7195	369-2107	372-6783
ixlpe	7727	961-0600	372-6238
ihlpf	7199	462-7071	372-6852

### UNIX System for the System/370 Availability Schedule



- only on dedicated system with operator coverage, otherwise unattended
- certain dedicated systems have operator coverage during all or part of this time  
IXLPA, C, D—24-hour coverage Sat./Sun.  
IHLPB—8 a.m.-4 p.m. coverage Sat.

Display the quarterly preventive maintenance (PM) schedule for your system by entering *news pm*.

## TSS User Information

Documentation (available from Computing Information Library, x3514, IH 7C-102)

- TSS Tutorial
- TSS User's Manual (Rainbow Book)
- IBM—TSS OPERATING SYSTEM 3A (Redbook)
- IBM—TSS FORTRAN IV 4A (Redbook)
- IBM—TSS PL/I 4E (Redbook)
- IBM—TSS ASSEMBLER INFORMATION 5A (Redbook)

### On-Line Information Sources

- HELP
- NEWS
- SPNEWS
- KEYWORD

### TSS Counseling

- IH x4653
- IW x7214

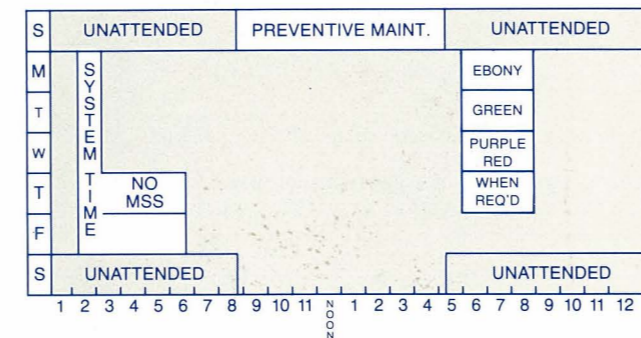
### Telephone Access Numbers

- CUSTOM 7700
- WHEATON 312-462-9400
- CORNET 8-372-6600

### TSS COURSES

- Introduction to IH/TSS X2787
- Selected IH/TSS Topics

### TSS Availability Schedule



Display the quarterly preventive maintenance (PM) schedule for your TSS system by entering *NEWS PM SCHEDULE*.

## OS/MVS/TSO User Information

Documentation (available from Computing Information Library, x3514, IH 7C-102)

- IBM—OPERATING SYSTEM 3B (Redbook)
- IBM—ASSEMBLER INFORMATION 5B (Redbook)
- IBM—TIME SHARING OPTION 6A (Redbook)

### On-Line Information Sources

- HELP
- NEWS

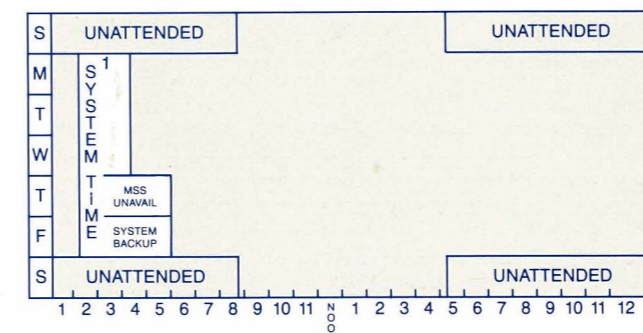
### OS/MVS/TSO Counseling

- IH x6210
- IW x7214

### Telephone Access Numbers

- CUSTOM 7700
- WHEATON 312-462-9400
- CORNET 8-372-6600

### OS/MVS Availability Schedule



- system time may or may not be utilized

Display the quarterly preventive maintenance (PM) schedule for your OS/MVS/TSO system by entering *news pm*.

## Output Services

OS/MVS is the central processor for input/output (I/O) services. Available devices are listed below.

- XEROX 9700 (i.e., printer)
- Card reader/punch
- STARE3 Plotters
- VERSATEC Plotters (EID)
- COMP80 Microfilm (EID)

### BTL SYSOUT Class Definitions

- A print
- B punch
- D output to TSS RED (IH only)
- E output to TSS EBONY (IH only)
- G PRISM (CB, HO, MH)
- J output is job submittal
- \*L drum plotter (Indianapolis only)
- M microfilm
- P output to TSS PURPLE (IH only)
- R STARE3
- \*S spooled tape (blksize < 32768)
- T TSO print
- U TSO punch
- V output to TSS GREEN (IH only)
- W 42" VERSATEC Plotter (IH, IW, IX)
- X papertape

\* = requires FORMAT card

The system default for any SYSOUT class not mentioned above is to *print* the user-generated output.

### IHCC OS/MVS System Resource Limits

	EXPRESS	PREFERRED	PRIME	PROVISIONAL	NIGHT
EET (min)	< 2	< 3	≤ 6	≤ 12	> 12
SETUPS	= 0	≤ 1	≤ 2	≤ 3	> 3
LINES	≤ 3000	≤ 6000	≤ 12000	≤ 16000	> 16000
CARDS OUT	≤ 2000	≤ 3000	≤ 4000	≤ 8000	> 8000
*PRIORITY	10	8	7	5	3

\*The priority is assigned by the system.

## USER NOTES

Prepared by  
IHCC User Interface Group  
8-367-6871



## SUPPORT SERVICES

HELP DESK X3333

### UNIX SYSTEM COUNSELORS

IH 4B-246 Mike Rys X2237

IW 1E-348 Mick Hedrick X7214

IX 1M-301 Jay Shachter X0665

### OPERATIONS SUPERVISOR

IH X3513

IW/IX X1349

### UNIX SYSTEM ACCOUNTING

IH 4B-247 Gloria Jones X5661

### EXTERNAL PASSWORD

IH 4B-247 Gloria Gibbons X4329

### COMPUTATION CENTERS

UNIX IH 5B-217 X4921 X6164

IW IW 1E-351 X7251

IX IX 1E-312 X1350

IH I/O IH 4E-207 X2347

SATELLITE IH 6G-401 X4833 X4832

### DATA TELECOMMUNICATIONS

IH 4B-261 Dick Shadle X4813

TAPE LIBRARY IH 4K-201 X3534

### DATA ENTRY

IH 4B-241 X3206

IX 1M-301 X0664

### COMPUTING INFORMATION LIBRARY

IH 7C-102 Lillian Nelsen X3514





General-Purpose UNIX\* System  
Phone Numbers

SYSTEM	CUSTOM	EXTERNAL	CORNET
ihuxa	7169	260-1064	372-6468
ihuxb	7168	260-1045	372-6309
ihuxe	7175	260-1262	372-6952
ihuxf	7176	260-1257	372-6953
ihuxh	7757	682-9400	372-6503
ihuxi	7711	653-4100	372-6193
ihuxj	7719	653-4774	372-6197
ihuxk	7769	668-5726	372-6021
ihuxl	7759	668-5591	372-6022
ihuxm	7781	653-3915	372-6023
ihuxn	7782	653-5261	372-6370
ihuxo	7760	653-5160	372-6024
ihuxp	7770	653-6520	372-6025
ihuxq	7127	668-7606	372-6026
ihuxr	7128	668-2442	372-6345
ihuxs	7143	260-0004	372-6422
ihuxt	7144	260-0005	372-6586
ihuxu	7145	668-3318	372-6427
ihuxv	7146	668-3718	372-6539
ihuxw	7172	260-1051	372-6472
ihuxx	7171	260-1048	372-6470
iwu1a	7182	420-7480	372-6956
iwu1b	7183	355-8940	372-6958
iwu1c	7184	355-9001	372-6959
iwu1d	7185	357-2707	372-6957
ihu1e	7197	462-7502	372-6685
ihu1f	7196	462-7824	372-6684
ihu1g	7726	653-8310	372-6258
ihu1h	7728	653-8340	372-6256
_____	_____	_____	_____
_____	_____	_____	_____
_____	_____	_____	_____

October 1983

BELL LABORATORIES PROPRIETARY  
Not for use or disclosure outside  
Bell Laboratories except by  
approval of the Director of  
the originating organization  
(see G.E.I. 2.2).

UNIX\* is a trademark of AT&T  
Bell Laboratories.